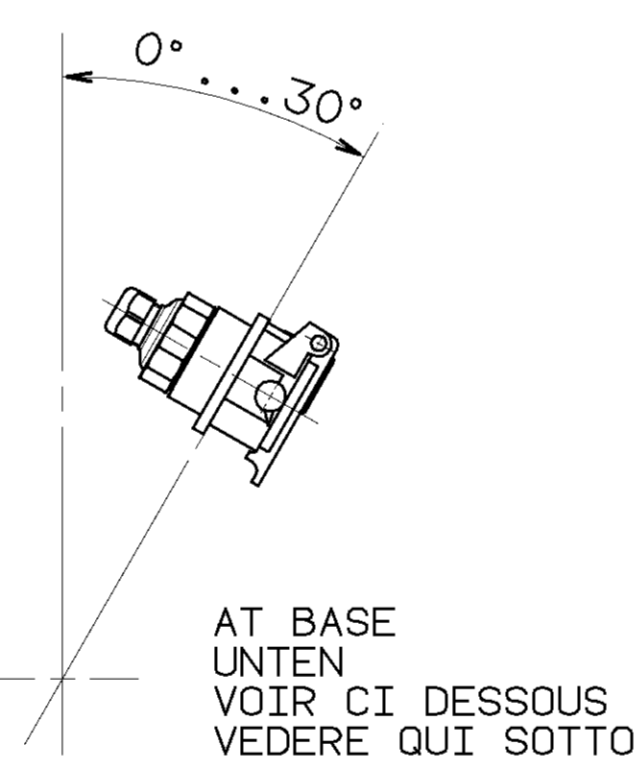
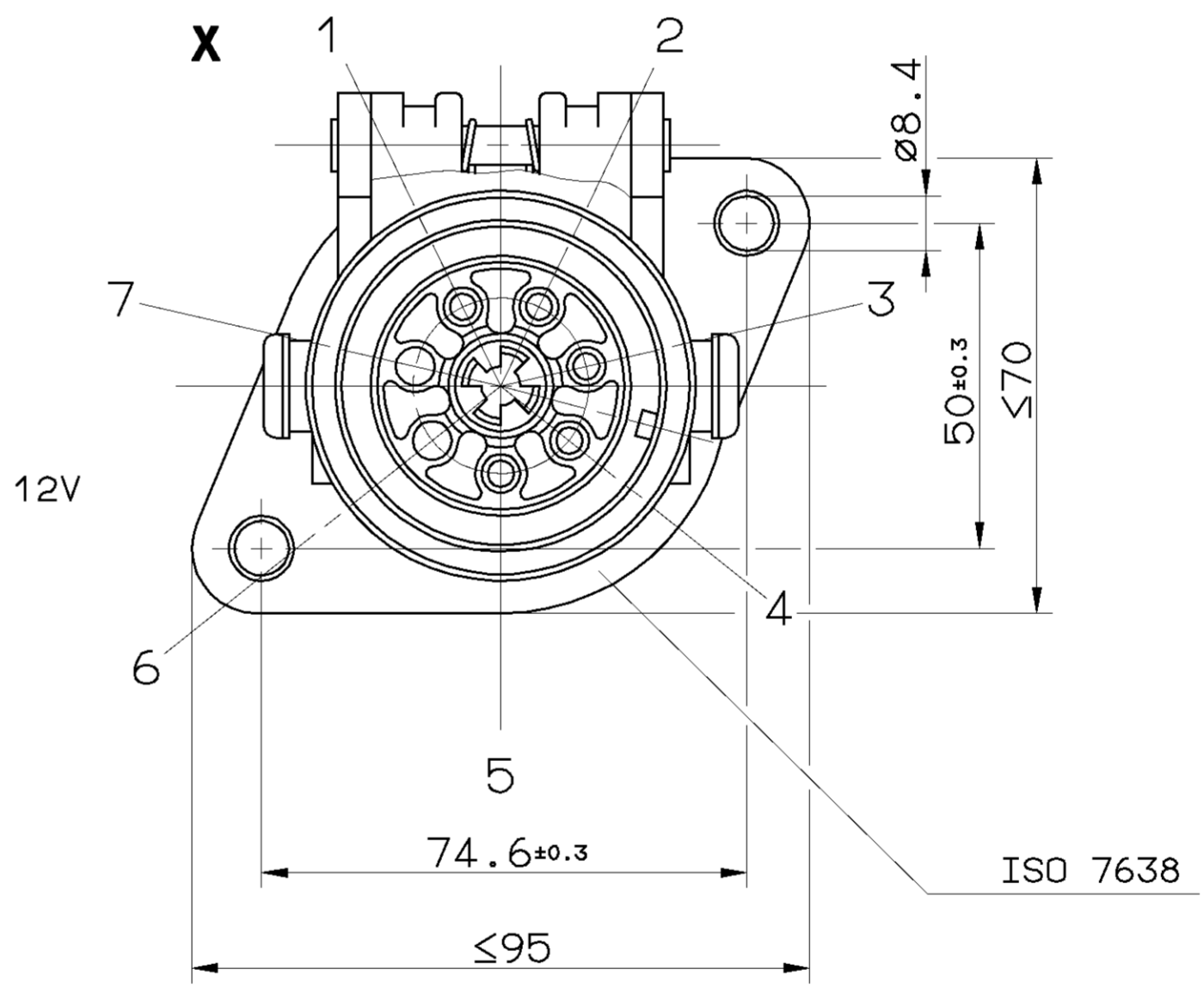


FOR FLAT CONTACT
 FUER FLACHSTECKER IEC 760-6.3x0.8
 POUR LES CONTACT PLATS
 PER CONTATTO PIATTO
 SURFACE PROTECTION :
 OBERFLAECHENSCHUTZ : gal Sn
 PROTECTION DE SURFACE :
 PROTEZIONE SUPERFICI :

POSITION OF INSTALLATION
 EINBAULAGE
 POSITION D'INSTALLATION
 POSIZIONE DI MONTAGGIO



VOLTAGE
 SPANNUNG
 VOLTAGE
 VOLTAGGIO



RESISTANT TO
 BESTAENDIG GEGEN
 RESISTANT A
 RESISTENTE A

AIR, WATER, MINERAL OIL, PETROL, DIESEL OIL, SALT SPRAY
 LUFT, WASSER, MINERAL OEL, BENZIN, DIESEL OEL, SALZSPRUEHNEBEL
 AIR, EAU, HUILE MINERALE, ESSENCE, GAS OIL, BROUILLARD SALIN
 ARIA, AQUA, OLIO, MINERALE, BENZINA, GASOLIO, NEBBIA SALINA

5-CORE CABLE
 LEITUNG 5-ADRIG
 CABLE A 5-CONDUCTEURS
 CAVO A 5-CONDUTTORI

PUR
 3x1.5mm²
 2x6mm²

THERMAL RANGE OF APPLICATION :
 THERMISCHER ANWENDUNGSBEREICH : -40°C ... +80°C
 PLAGE THERMIQUE D'APPLICATION :
 CAMPO DI APPLICAZIONE TERMICA :

PROTECTION TYPE ACCORD TO IEC 529 :
 SCHUTZART NACH IEC 529 : IP 54
 MODE DE PROTECTION SUIVANT IEC 529 :
 TIPO DI PROTEZIONE SECONDO IEC 529 :

| | |
|---------------------------------------------------------------------------------|-----------------------------------------------------|
| CODE OF LENGTH LAENGCODIERUNG CODE DE LA LONGUEUR CODICE DEL LUNGHEZZA | |
| ORDER NUMBER BESTELLNUMMER NUMERO DE COMMANDE NUMERO DELL'ORDINE | L [m] 449 152 □ □ □ 0 |
| EXAMPLE BEISPIEL EXAMPLE ESEMPIO | L = 8m 449 152 080 0 |
| MIN/MAX LENGTH MIN/MAX LAENGE MIN/MAX LONGUEUR MIN/MAX LUNGHEZZA | L _{min} = 0.1m L _{max} = 20.0m |
| TOLERANCES TOLERANZEN TOLERANCIAS TOLERANZA | L ≤ 10m ±0.050 L > 10m ±0.750 |

| CONTACT IN KONTAKT IN CONTACT DANS CONTATTO IN | WIRE-COLOUR ADERFARBE COLOUR DE FIL COLORE DI FILO | CROSS SECTION QUERSCHNITT SECTION DE TRANSVERSALE SEZIONE TRASVERSALE | CONTACT KONTAKT CONTACT CONTATTO |
|---------------------------------------------------------|-------------------------------------------------------------|--------------------------------------------------------------------------------|-------------------------------------------|
| 1 | RED ROT ROUGE ROSSO | 6 mm ² | |
| 2 | WHITE/RED WEISS/ROT BLAN/ROUGE BLANCO/ROSSO | 1.5 mm ² | |
| 3 | BROWN/BLUE BRAUN/BLAU BRUN/BLU MARRONE/CELESTE | 1.5 mm ² | |
| 4 | BROWN BRAUN BRUN MARRONE | 6 mm ² | |
| 5 | YELLOW/BLUE GELB/BLAU JAUNE/BLU GIALTO/CELESTE | 1.5 mm ² | |
| 6 | | | |
| 7 | | | |

| | | | |
|----------------------------------------|--------------------------------|----------------------------|--|
| GENERAL SPECIFICATION: JED-034 | | CADAM-DRAWING COPYRIGHT | |
| FURTHER TECHNICAL DATA: ISO 7638 | | DATE: SIGNATURE: | |
| DOC. CODE: SHEET: TO: | | 95-03-29 RUNGE | |
| GENERAL TOLERANCES | | 95-03-29 C. SCHMIDT | |
| RANGE OF NOMINAL DIMENSIONS (± mm) | | STANDARDIZATION: | |
| CLASS | 1) ≤50 >50 ≤180 >180 ≤400 >400 | 95-03-29 PANTZER | |
| FINE | 0,5 1,0 1,5 2,0 | PRODUCT IDENTIFICATION NO. | |
| MEDIUM | 1,0 2,0 3,0 4,0 | 449 152 000 0 | |
| COARSE | 2,0 3,5 5,0 6,5 | DOC. CODE SHEET | |
| TAPPED HOLES ACC. ISO 4039 / JED-162 | | 653 1/1 | |
| 1) TOLERANCE CLASS APPLIED CROSSMARKED | | REPLACEMENT FOR | |
| DWG. NO. REV. DATE | | 446 010 908 2 | |
| SCALE | | SHAPE CODE | |
| A 1 142 | | | |
| 100mm | | EXPERT CODE [7]7[4] | |
| | | PRODUCT TYPE [0]2[X] | |

TOUTE REPRODUCTION DE CE DOCUMENT, TOUTE ESCANERISATION OU COMMUNICATION DE SON CONTENU, EST INTERDITE SANS LAutorisation écrite de WABCO. Toute réimpression, réimpression partielle ou modification de ce document est formellement interdite. Toute réimpression partielle ou modification de ce document est formellement interdite. Toute réimpression partielle ou modification de ce document est formellement interdite.