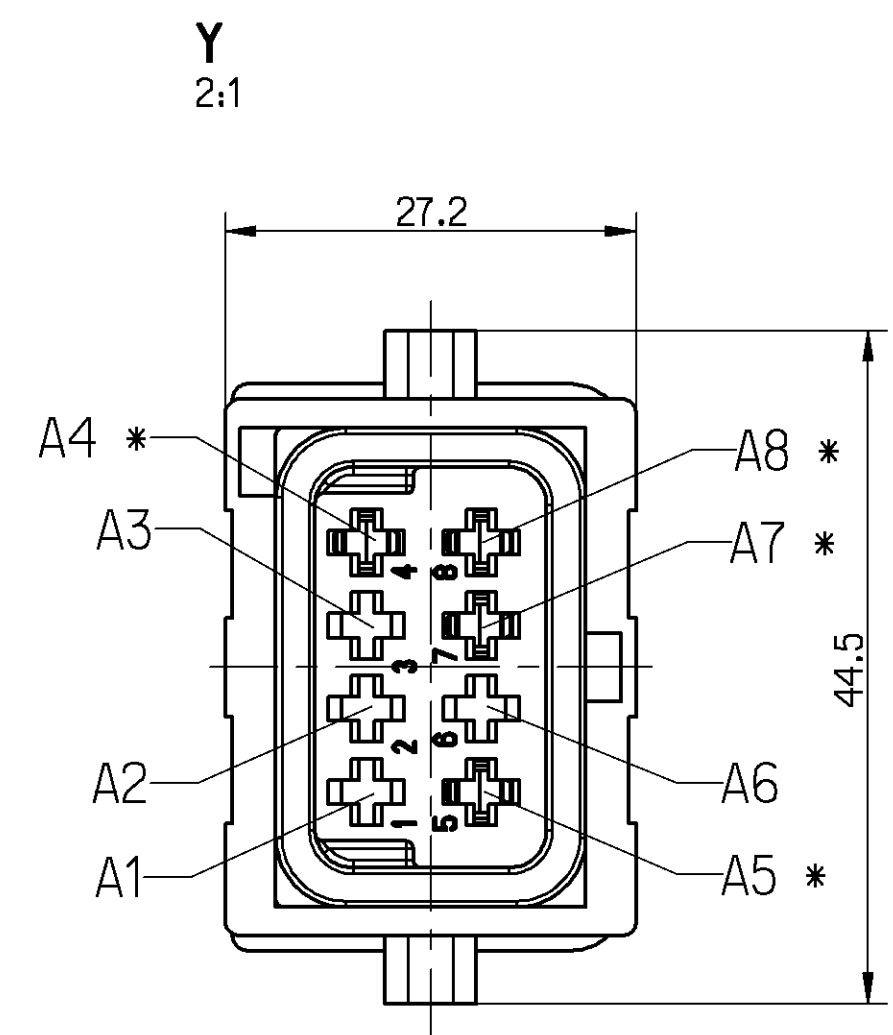
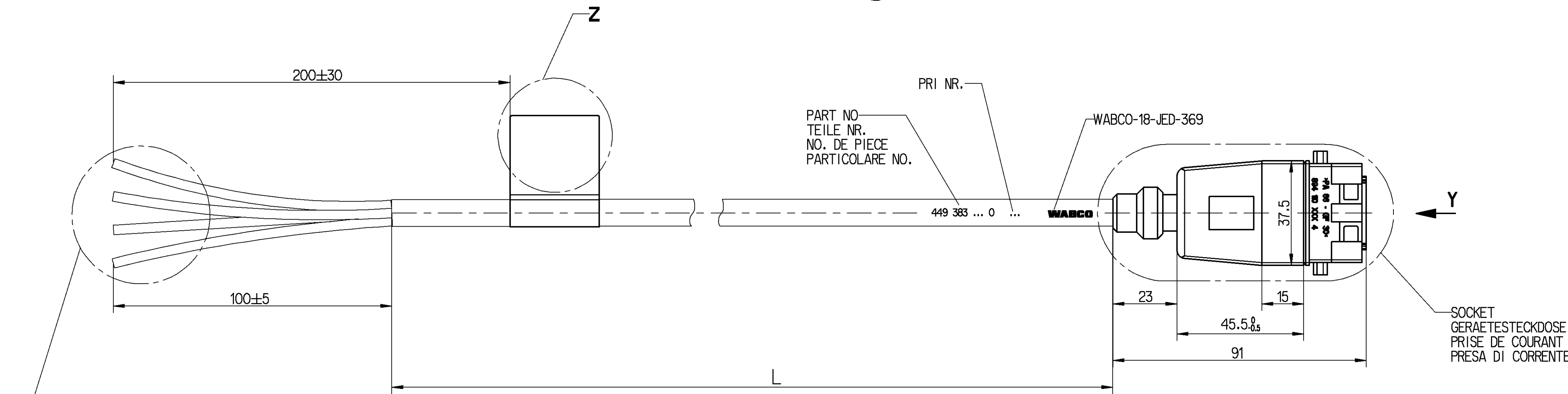


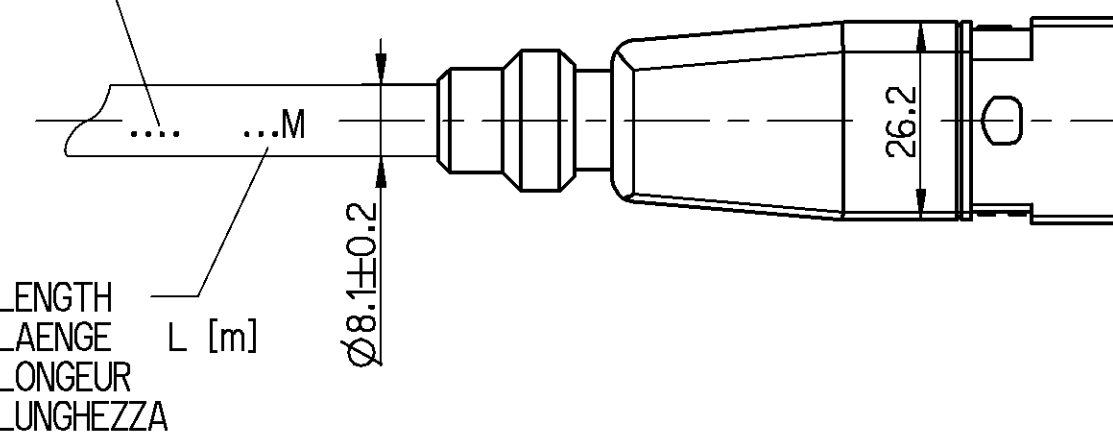
**Z** LABEL WITH PIN ASSIGNMENT  
 ETIKETT MIT ANSCHLUSSBELEGUNG  
 2:1 ETIQUETTE AVEC REGROUPEMENT DES CABLES  
 TARGHETTA CON RAGGRUPPAMENTO DEI CAVI

blau/blue - ILS 2  
 rot/red - 24 N Input  
 braun/brown - GND  
 gruen/green - ILS 1



CABLE SEAL AGAINST INGRESS WATER REQUIRED  
 KABELDICHTUNG GEGEN EINDRINGEN VON WASSER ERFORDERLICH  
 PRESSE-ETOUPE DE CABLE NECESSAIRE POUR PROTECTION CONTRE L'EAU  
 E NECESSARIO SERRACAVO PER PROTEZIONE DALL'INGRESSO DI ACQUA

DATE OF MANUFACTURE : JED-226  
 HERSTELLDATUM : JED-226  
 DATE DE FABRICATION : JED-226  
 DATA DI FABBRICAZIONE : JED-226



THERMAL RANGE OF APPLICATION :  
 THERMISCHER ANWENDUNGSBEREICH: -40°C...+80°C  
 GAMME D'APPLICATION THERMIQUE:  
 CAMPO TERMICO D'APPLICAZIONE :

RESISTANT TO : AIR, WATER, MINERAL OIL, PETROL, DIESEL OIL, SALT SPRAY  
 BESTÄNDIG GEGEN: LUFT, WASSER, MINERALÖL, BENZIN, DIESELÖL, SALZSPRÜHNEBEL  
 RESISTANT A : AIR, EAU, HUILE MINÉRALE, ESSENCE, GASOIL, BROUILLARD SALIN  
 RESISTENTE A : ARIA, AQUA, OLIO MINERALE, BENZINA, GASOLIO, NEBBIA SALINA

CABLE PUR  
 LEITUNG 2 x 0.5mm<sup>2</sup>  
 CABLE 2 x 2.5mm<sup>2</sup>  
 CAVO

SURFACE PROTECTION :  
 OBERFLÄCHENSCHUTZ : \* Sn  
 PROTECTION DE SURFACE:  
 PROTEZIONE SUPERFICI :

DEGREE OF PROTECTION (IN CONNECTION WITH PLUG) :  
 SCHUTZART (IN VERBINDUNG MIT STECKER) : IP 6K 9K / IP 67  
 DEGRE DE PROTECTION (DANS CONNECTION AVEC FICHE) : DIN 40050-T9  
 GRADO DI PROTEZIONE (IN RELAZIONE CON SPINA) :

CHAMBER KAMMER A CHAMBRE CAMERA	WIRE COLOUR ADER FARBE FIL COLEURE FILO COLORE	CABLE KABEL CABLE CAVO
1	NOT CONNECTED NICHT BELEGT NE PAS CONNECTE(E) NON COLLEGATO(TA)	
2	NOT CONNECTED NICHT BELEGT NE PAS CONNECTE(E) NON COLLEGATO(TA)	
3	NOT CONNECTED NICHT BELEGT NE PAS CONNECTE(E) NON COLLEGATO(TA)	
4	BLUE BLAU BLEU BLU	811 519 261 6 0.5mm <sup>2</sup>
5	RED ROT ROUGE ROSSO	811 519 261 6 2.5mm <sup>2</sup>
6	NOT CONNECTED NICHT BELEGT NE PAS CONNECTE(E) NON COLLEGATO(TA)	
7	BROWN BRAUN BRUN BRUNO	811 519 261 6 2.5mm <sup>2</sup>
8	GREEN GRUEN VERT VERDE	811 519 261 6 0.5mm <sup>2</sup>

CODE OF LENGTH LAENGCODIERUNG CODE DE LA LONGUEUR CODICE DEL LUNGHEZZA	L [m]
PART NO. TEILE NR. NO. DE PIECE CODICE	449 383 □ □ □ 0
EXAMPLE BEISPIEL EXEMPLE ESEMPIO	L = 3m 449 383 030 0
MIN/MAX LENGTH MIN/MAX LAENGE MIN/MAX LONGUEUR MIN/MAX LUNGHEZZA	L <sub>min</sub> = 0.1m L <sub>max</sub> = 20m
TOLERANCES TOLERANZEN TOLERANCES TOLERANZA	L ≤ 10m ±0.050m L > 10m ±0.075m

GENERAL SPECIFICATION: JED-334-0		PRO/ENGINEER DRAWING COPYRIGHT	
FURTHER TECHNICAL DATA:		DATE SIGNATURE	
DOC. CODE:	SHEET: TO	DRAWN: HARNISCHM.	
GENERAL TOLERANCES		CHECKED: 04-09-10	
RANGE OF NOMINAL DIMENSIONS (± mm)		OVERHAIGE: 04-09-10	
CLASS	1) ≤ 50 > 50 > 180 > 400	EXPERT CODE: 774	
FINE	0.5 1.0 1.5 2.0	MASS SCALE	
MEDIUM	1.0 2.0 3.0 4.0	/ KG 1:1 (2:1)	
COARSE	2.0 3.5 5.0 6.5	SIZE TRI	
TAPPED HOLES ACC. ISO 4039 / JED-52		PRODUCT IDENTIFICATION NO.	
1) TOLERANCE CLASS APPLIED CROSS-MARKED		449 383 000 0	
DOH-NO.	REV.	DATE	DOC. CODE SHEET
A 1	650		653 1/1
FUNCTION CODE		SWMP CODE	PRODUCT TYPE
11		11	REPLACEMENT FOR

TOTAL REPRODUCTION OR REPRODUCTION OF THIS DOCUMENT IS PROHIBITED WITHOUT THE WRITTEN PERMISSION OF WABCO. THE INFORMATION CONTAINED HEREIN IS THE PROPERTY OF WABCO AND IS NOT TO BE DISCLOSED TO OTHERS WITHOUT THE WRITTEN PERMISSION OF WABCO. THE INFORMATION CONTAINED HEREIN IS THE PROPERTY OF WABCO AND IS NOT TO BE DISCLOSED TO OTHERS WITHOUT THE WRITTEN PERMISSION OF WABCO. THE INFORMATION CONTAINED HEREIN IS THE PROPERTY OF WABCO AND IS NOT TO BE DISCLOSED TO OTHERS WITHOUT THE WRITTEN PERMISSION OF WABCO.