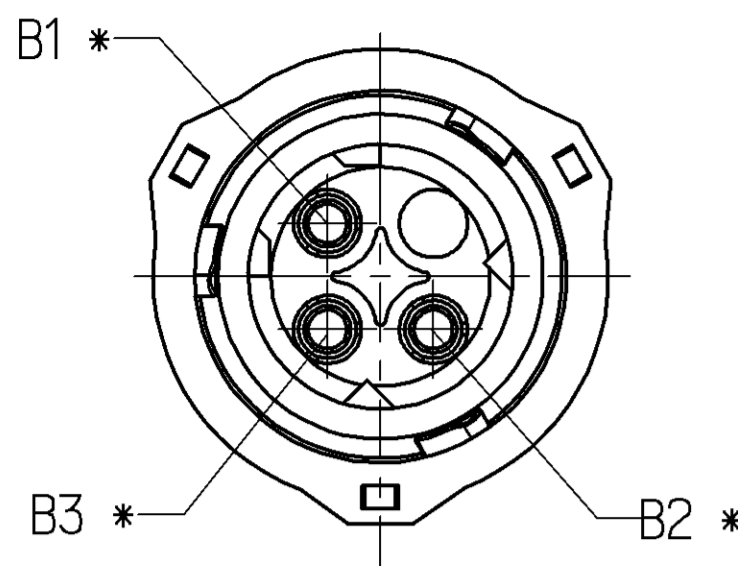
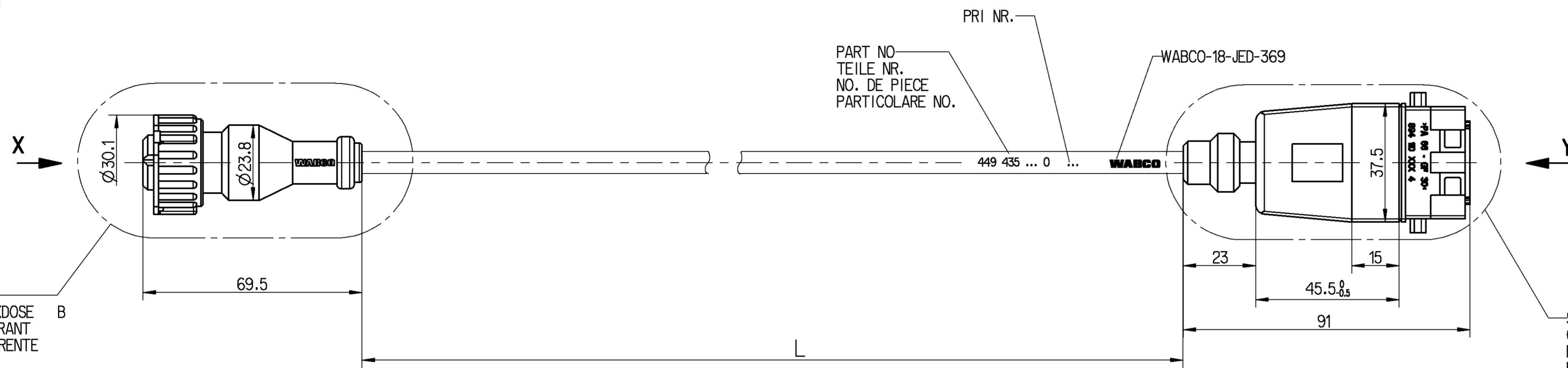
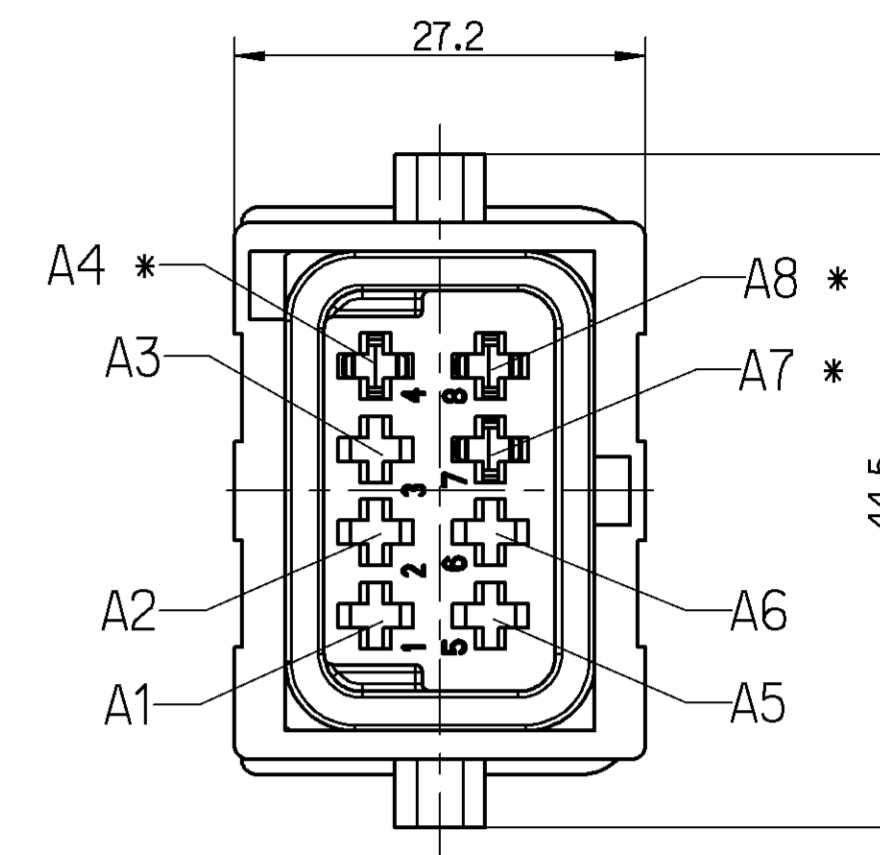


**X**  
2:1  
CODE  
KODIERUNG DIN 72585-B1-3.1-Sn/K1  
CODE  
CODICE



**Y**  
2:1



PRI NR.  
PART NO.  
TEILE NR.  
NO. DE PIÈCE  
PARTICOLARE NO.

WABCO-18-JED-369

PRI NR.

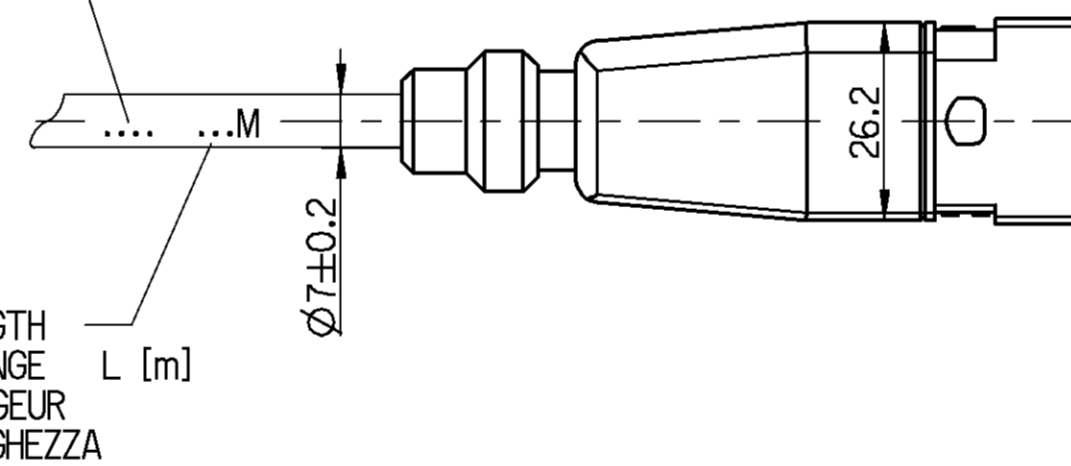
449 435 ... 0

WABCO

WABCO

SOCKET  
GERÄTESTECKDOSE  
PRISE DE COURANT  
PRESA DI CORRENTE

DATE OF MANUFACTURE :  
HERSTELLDATUM : JED-226  
DATE DE FABRICATION :  
DATA DI FABBRICAZIONE :



LENGTH  
LAENGE  
LONGUEUR  
LUNGHEZZA

THERMAL RANGE OF APPLICATION :  
THERMISCHER ANWENDUNGSBEREICH: -40°C...+80°C  
GAMME D'APPLICATION THERMIQUE:  
CAMPO TERMICO D'APPLICAZIONE :

RESISTANT TO : AIR, WATER, MINERAL OIL, PETROL, DIESEL OIL, SALT SPRAY  
BESTÄNDIG GEGEN: LUFT, WASSER, MINERALÖL, BENZIN, DIESELÖL, SALZSPRUEHNEN  
RESISTANT A : AIR, EAU, HUILE MINÉRALE, ESSENCE, GASOIL, BROUILLARD SALIN  
RESISTENTE A : ARIA, AQUA, OLIO MINERALE, BENZINA, GASOLIO, NEBBIA SALINA

CABLE PUR  
LEITUNG 3 x 1.5mm<sup>2</sup>  
CABLE  
CAVO

SURFACE PROTECTION :  
OBERFLÄCHENSCHUTZ : \* Sn  
PROTECTION DE SURFACE:  
PROTEZIONE SUPERFICIA :

DEGREE OF PROTECTION (IN CONNECTION WITH PLUG) :  
SCHUTZART (IN VERBINDUNG MIT STECKER) : A: IP 6K 9K / IP 67  
DEGRE DE PROTECTION (DANS CONNECTION AVEC FICHE): B: IP 69K  
GRADO DI PROTEZIONE (IN RELAZIONE CON SPINA) :

CHAMBER KAMMER CHAMBRE CAMERA	CABLE KABEL CABLO	CHAMBER KAMMER CHAMBRE CAMERA
1	NOT CONNECTED NICHT BELEGT NE PAS CONNECTE(E) NON COLLEGATO(TA)	
2	NOT CONNECTED NICHT BELEGT NE PAS CONNECTE(E) NON COLLEGATO(TA)	
3	NOT CONNECTED NICHT BELEGT NE PAS CONNECTE(E) NON COLLEGATO(TA)	
4	1.5mm <sup>2</sup>	3
5	NOT CONNECTED NICHT BELEGT NE PAS CONNECTE(E) NON COLLEGATO(TA)	
6	NOT CONNECTED NICHT BELEGT NE PAS CONNECTE(E) NON COLLEGATO(TA)	
7	1.5mm <sup>2</sup>	1
8	1.5mm <sup>2</sup>	2

CODE OF LENGTH LAENGENCODIERUNG CODE DE LA LONGUEUR CODICE DEL LUNGHEZZA	
PART NO. TEILE NR. NO. DE PIÈCE CODICE	449 435 □ □ □ 0
EXAMPLE BEISPIEL EXEMPLE ESEMPIO	L = 6m 449 435 060 0
MIN/MAX LENGTH MIN/MAX LAENGE MIN/MAX LONGUEUR MIN/MAX LUNGHEZZA	L <sub>min</sub> = 0.1m L <sub>max</sub> = 20m
TOLERANCES TOLERANZEN TOLERANCES TOLERANZA	L ≤ 10m ±0.050m L > 10m ±0.075m

GENERAL SPECIFICATION: JED-334-0			PRO/ENGINEER DRAWING COPYRIGHT	
FURTHER TECHNICAL DATA:			DATE	SIGNATURE
DOC. CODE: SHEET: TO:			DATE	SIGNATURE
GENERAL TOLERANCES			DRAWN: 04-09-10 HARNISCHM.	
RANGE OF NOMINAL DIMENSIONS (± mm)			CHECKED: 04-09-10 OVERHAGE	
CLASS 1) ≤ 50 > 50 > 180 > 400			EXPERT CODE: 7 7 4	
FINE 0.5 1.0 1.5 2.0			MASS / SCALE	
MEDIUM 1.0 2.0 3.0 4.0			KG / (2:1)	
COARSE 2.0 3.5 5.0 6.5			SIZE (TR)	
TAPPED HOLES ACC. ISO 4039 / JED-532			PRODUCT IDENTIFICATION NO.	
1) TOLERANCE CLASS APPLIED CROSS-MARKED			449 435 000 0	
DO-NO.	REV.	DATE	DOC. CODE	SHEET
			653	1/1
			REPLACEMENT FOR	