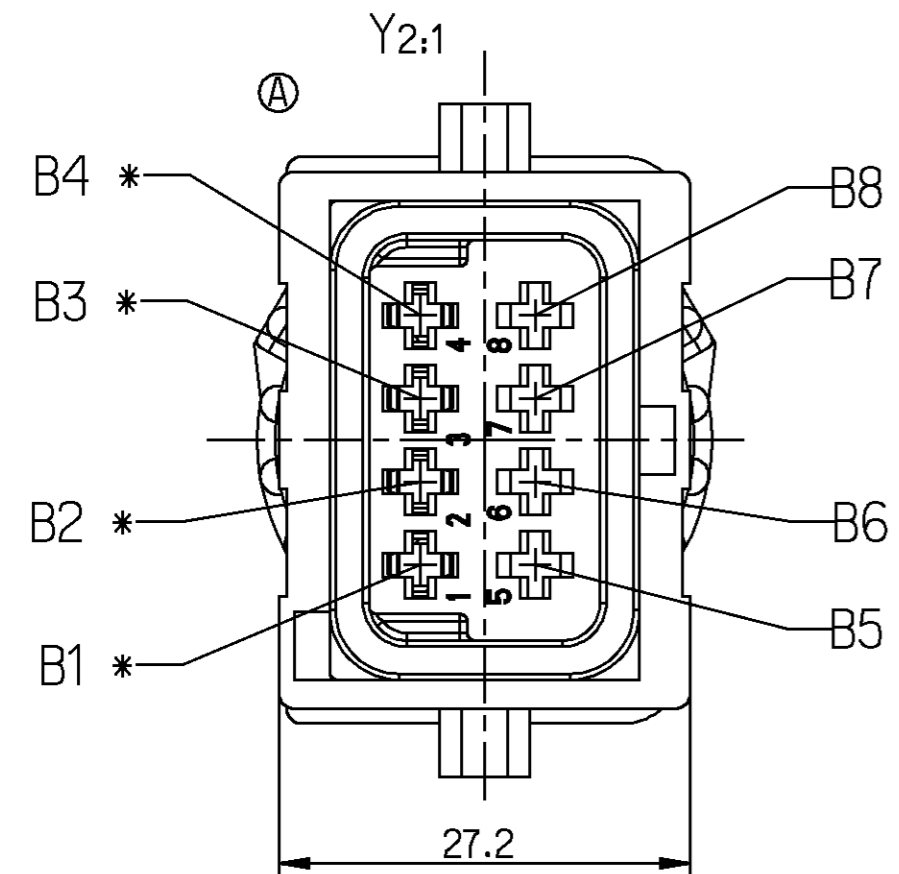
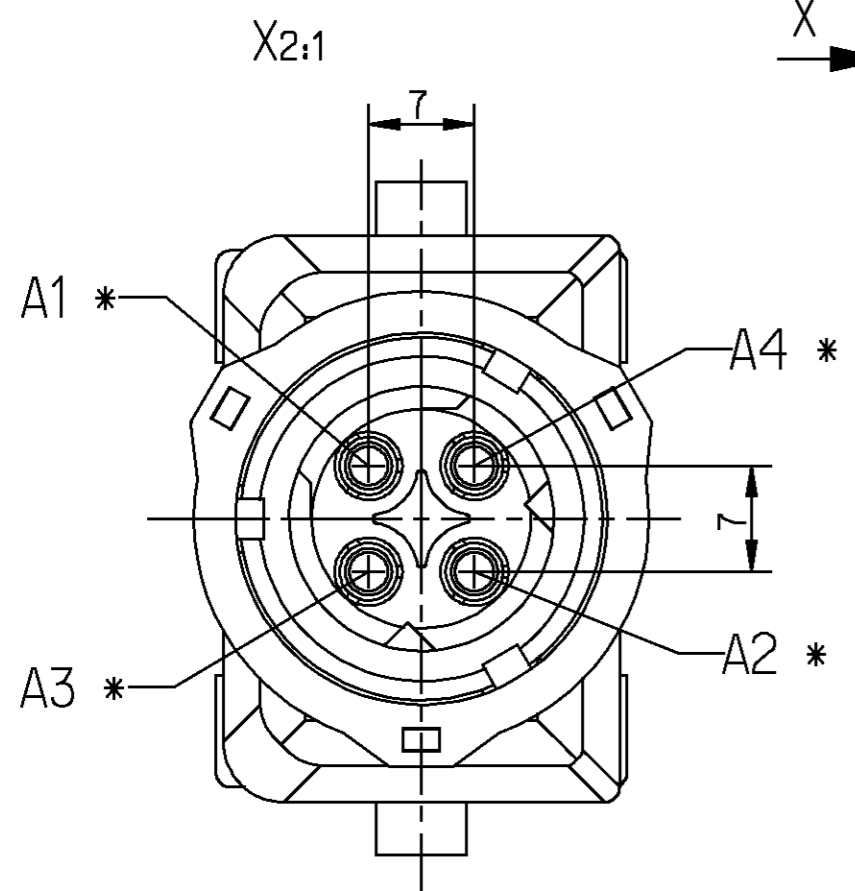


CODE  
CODIERUNG DIN 72585-B2-4.1-Sn/K1  
CODE  
CODICE

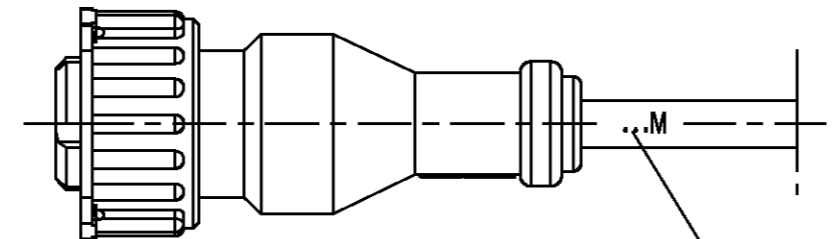
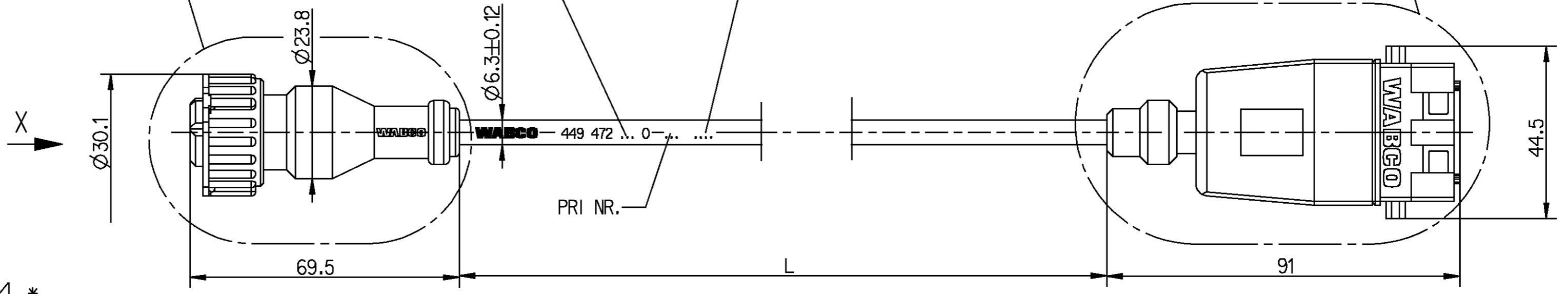


SOCKET  
GERAETESTECKDOSE  
PRISE DE COURANT  
PRESA DI CORRENTE

PART NO  
TEILE NR.  
NO. DE PIECE  
PARTICOLARE NO.

DATE OF MANUFACTURE :  
HERSTELLDATUM : JED-226  
DATE DE FABRICATION :  
DATA DI FABBRICAZIONE:

SOCKET  
GERAETESTECKDOSE  
PRISE DE COURANT  
PRESA DI CORRENTE



LENGTH OF CABLE  
KABELLAENGE  
LONGUEUR DU CABLE  
LUNGHEZZA DEL CAVO

THERMAL RANGE OF APPLICATION :  
THERMISCHER ANWENDUNGSBEREICH: -40 °C....+80 °C  
GAMME D'APPLICATION THERMIQUE: A  
CAMPO TERMICO D'APPLICAZIONE :

RESISTANT TO : AIR, WATER, MINERAL OIL, PETROL, DIESEL OIL, SALT SPRAY  
BESTAENDIG GEGEN: LUFT, WASSER, MINERALOEL, BENZIN, DIESEL OEL, SALZSPRUEHNEBEL  
RESISTANT A : AIR, EAU, HUILE MINERALE, ESSENCE, GASOIL, BROUILLARD SALIN  
RESISTENTE A : ARIA, AQUA, OLIO MINERALE, BENZINA, GASOLIO, NEBBIA SALINA

DEGREE OF PROTECTION (IN CONNECTION WITH PLUG) :  
SCHUTZART (IN VERBINDUNG MIT STECKER) : A: IP 6K 7 / IP 6K 9K  
DEGRE DE PROTECTION (DANS CONNECTION AVEC FICHE) : B: IP 67 / IP 6K 9K  
GRADO DI PROTEZIONE (IN RELAZIONE CON SPINA) :

4-CORE CABLE PUR  
LEITUNG 4-ADRIG 4x0.5mm<sup>2</sup>  
CABLE A 4 CONDUCTEURS  
CAVO A 4 CONDUTTORI

SURFACE PROTECTION :  
OBERFLAECHENSCHUTZ : \* Sn  
PROTECTION DE SURFACE:  
PROTEZIONE SUPERFICI :

CODE OF LENGTH LAENGCODIERUNG CODE DE LA LONGUEUR CODICE DEL LUNGHEZZA	L [m] 449 472 □ □ □ 0
PART NO TEILE NR. NO. DE PIECE CODICE	449 472 □ □ □ 0
EXAMPLE BEISPIEL EXEMPLE ESEMPIO	L = 8 m 449 472 080 0
MIN/MAX LENGTH MIN/MAX LAENGE MIN/MAX LONGUEUR MIN/MAX LUNGHEZZA	L <sub>min</sub> = 0.1m L <sub>max</sub> = 20m
TOLERANCES TOLERANZEN TOLERANCES TOLERANZA	L < 10m ±0.050m L > 10m ±0.075m

GENERAL SPECIFICATION: JED-334.0		Pro/ENGINEER DRAWING COPYRIGHT		<b>WABCO</b>	
FURTHER TECHNICAL DATA:		DATE SIGNATURE		DRAWN	
DOC. CODE: SHEET: TO		7-Jul-97 Weber		CHECKED	
GENERAL TOLERANCES		97-07-09 Hein		EXPERT CODE	
RANGE OF NOMINAL DIMENSIONS ( ± mm )		7 5 5		PRODUCT IDENTIFICATION NO.	
CLASS	1) ≤ 50 > 50 > 180 > 400	MASS	SCALE	449 472 000 0	
FINE	0.5 1.0 1.5 2.0	KG	1:1 (2:1)	DOC. CODE	SHEET
MEDIUM	1.0 2.0 3.0 4.0	SIZE	TRI	653	1/1
COARSE	2.0 3.5 5.0 6.5	A 2	142	REPLACEMENT FOR	
TAPPED HOLES ACC. ISO 4039 / JED-152		062788 2xA 97-10-02		FUNCTION CODE SHAPE CODE PRODUCT TYPE	
1) TOLERANCE CLASS APPLIED CROSSMARKED		DCH-NO. REV. DATE		REPLACEMENT FOR	
				884 010 408 0	

NON LE FERMESSE CONSERVARE A TITOLI O RIPRODURRE QUESTO DOCUMENTO. NE UTILIZZARE IL CONTENUTO O RE-  
 ADDESSO E CONSERVARE IL DIRITTO DI PROPRIETA' INTELLETTUALE. IL DIRITTO DI PROPRIETA' INTELLETTUALE  
 BREVETTI O MODELLI.  
 COPIING OF THIS DOCUMENT AND OTHERS TO OTHERS AND THE USE OR COMBINATION OF THE CONTENTS THEREOF  
 WITHOUT THE WRITTEN PERMISSION OF THE PATENT OFFICE IS PROHIBITED. ALL RIGHTS ARE RESERVED IN THE EVENT OF THE  
 GRANT OF PATENT OR REGISTRATION OF A UTILITY MODEL OR DESIGN. THIS DOCUMENT IS THE SUBJECT OF COPYRIGHT.

TOUTE COMMUNICATION DE REPRODUCTION DE CE DOCUMENT, TOUTE EXPLOITATION OU COMMUNICATION DE SON CONTE-  
 NU, EN TOUTE LANGUE, EST INTERDITE SANS LA PERMISSION ECRITE DE LA SOCIETE WABCO. LE DROIT DE PROPRIETE  
 INTELLECTUELLE EST RESERVE. NOTAMMENT EN MATIERE DE BREVETS ET DE MODELES.  
 WEITERHAEBE SOWIE VERLEIHAELTUNG DIESER UNTERLAGE, VERBODEN UND NUTZUNG ODER VERBUNDUNG DER INHALTE NICHT  
 OHNE SCHRIFTLICHE ZULASSUNG DER PATENTBEHORDUNG. ALLE RECHTE FÜR PATENT, NUTZUNG ODER VERBUNDUNG DER  
 GEBRAUCHSMUSTER, ERFINDEUNG VORBEHALTEN.