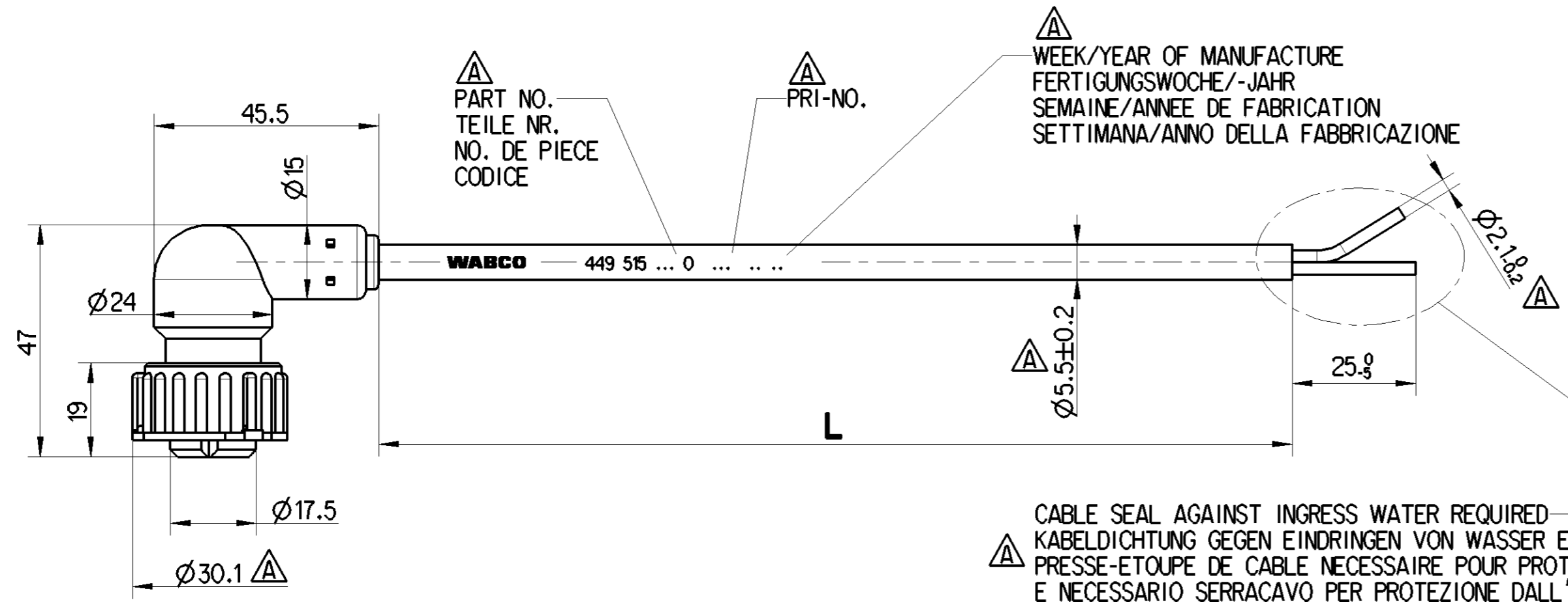
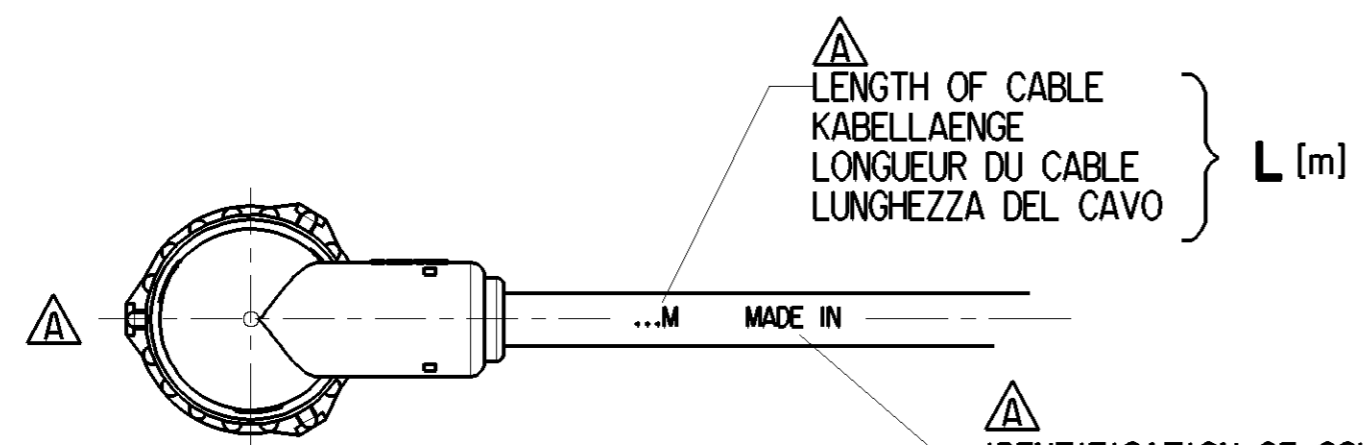


- ① SURFACE PROTECTION
OBERFLAECHENSCHUTZ
PROTECTION DE SURFACE
PROTEZIONE SUPERFICI } Sn
- 4-CORE CABLE
LEITUNG 4-ADRIG
CABLE A 4-CONDUCTEURS
CAVO A 4-CONDUTTORI } PVC
2x1mm² △
- THERMAL RANGE OF APPLICATION
THERMISCHER ANWENDUNGSBEREICH
GAMME D'APPLICATION THERMIQUE
CAMPO TERMICO D'APPLICAZIONE } -40 °C...+80 °C



△ CABLE SEAL AGAINST INGRESS WATER REQUIRED
KABELDICHTUNG GEGEN EINDRINGEN VON WASSER ERFORDERLICH
PRESSE-ETOUPE DE CABLE NECESSAIRE POUR PROTECTION CONTRE L'EAU
E NECESSARIO SERRACAVO PER PROTEZIONE DALL'INGRESSO DI ACQUA

CODE OF LENGTH LAENGENCODIERUNG CODE DE LA LONGUEUR CODICE DEL LUNGHEZZA	
PART NO TEILE NR. NO DE PIECE CODICE	449 515 □ □ □ 0
EXAMPLE BEISPIEL EXEMPLE ESEMPIO	L = 5_m 449 515 Q5Q 0
MIN/MAX LENGTH MIN/MAX LAENGE MIN/MAX LONGUEUR MIN/MAX LUNGHEZZA	L _{min} = 0.1m L _{max} = 20m
TOLERANCES TOLERANZEN TOLERANCES TOLERANZA	L ≤ 10m ±0.050m L > 10m ±0.075m



- △ INSTALLATION INSTRUCTIONS TO BE OBSERVED
INSTALLATIONSHINWEIS BEACHTEN
INDICATION POUR L'INSTALLATION A OBSERVER
OSSERVARE INDICAZIONE DI MONTAGGIO } 449 000 000 0
(DOC.CODE 011)
- TYPE OF PROTECTION (IN CONNECTION WITH PLUG)
SCHUTZART (IN VERBINDUNG MIT STECKER)
MODE DE PROTECTION (DANS CONNECTION AVEC FICHE)
TIPO DI PROTEZIONE (IN RELAZIONE CON SPINA) } IP 6K7, IP 6K9K
ISO 20653 △

RESISTANT TO
BESTAENDIG GEGEN } AIR, WATER, MINERAL OIL, PETROL, DIESELOIL, SALTSpray
RESISTANT A } LUFT, WASSER, MINERALOEL, BENZIN, DIESELOEL, SALZSPRUEHNebel
RESISTENTE A } AIR, EAU, HUILE MINERALE, ESSENCE, GASOIL, BROUILLARD SALIN
ARIA, AQUA, OLIO MINERALE, BENZINA, GASOLIO, NEBBIA SALINA

△ CABLE COMPLY WITH UN/ECE R118

② DIN 16901-150

General Specification: JED-334-1, Size ISO 14405 LP		Copyright WABCO®		WABCO	
Further Technical Data:		Date	Signature	CABLE WITH SOCKET KABEL MIT GERAETESTECKDOSE CABLE AVEC PRISE DE COURANT CAVO CON PRESA DI CORRENTE	
Doc. Code:	Sheet:	2021-09-20	Osinski	Date of first issue: 2021-09-20	
General Tolerances JED-261		Checked	Grychowicz	Doc.Code	Language
Class 1)	Range of Nominal Dimensions (± mm)	Expert		053	ML
1)	≤ 50 > 50 > 180 > 400 > 400	Overhoje		1/1	
Fine	0.5 1.0 1.5 2.0	Mass	Scale	Material No.	
Medium	1.0 2.0 3.0 4.0	/ KG	1:1	449 515 000 0	
Coarse	2.0 3.5 5.0 6.5	Size	CAD System	Date of first issue: 2021-09-20	
Tapped Holes acc.		A 2	CREO	ECN-No.	Revision
1) Tolerance Class Applied Crossmarked				508974	17x A
				Techn. Resp.	Replacement for
				6390_WH	

Non e permesso copiare, o terzi o riprodurre questo documento, ne utilizzare il contenuto o renderlo comunque noto o terzi senza autorizzazione esplicita. Ogni infrazione costituisce un evidente abuso e comportera il risarcimento dei danni subiti. E' fatta riserva di tutti i diritti derivanti da brevetti o modelli.
 Coping of this document and giving it to others and the use or communication of the contents thereof, are forbidden without express authority. Contravention of this restriction will constitute an evident abuse and result in a liability to the payment of damages. All rights are reserved in the event of the grant of patent or registration of a utility model or design. This document is the subject of copyright.
 Toute communication ou reproduction de ce document, toute exploitation ou communication de son contenu sont interdites, sauf autorisation expresse. Tout manquement a cette regle constitue un abus evident et expose son auteur au versement de dommages et interets. Tous droits de propriete industrielle reserves, notamment en matiere de brevets et de modesles.
 Weitergabe sowie Vervielfaeltigung dieser Unterlagen, Verwertung und Mitteilung ihres Inhalts nicht gestattet, soweit nicht ausdruecklich angeschlossen. Zuwiderhandlungen stellen einen offensichtlichen Missbrauch dar und verpflichten zu Schadenersatz. Alle Rechte fuer den Fall der Patentierung oder Gebrauchsmuster-Eintragung vorbehalten.