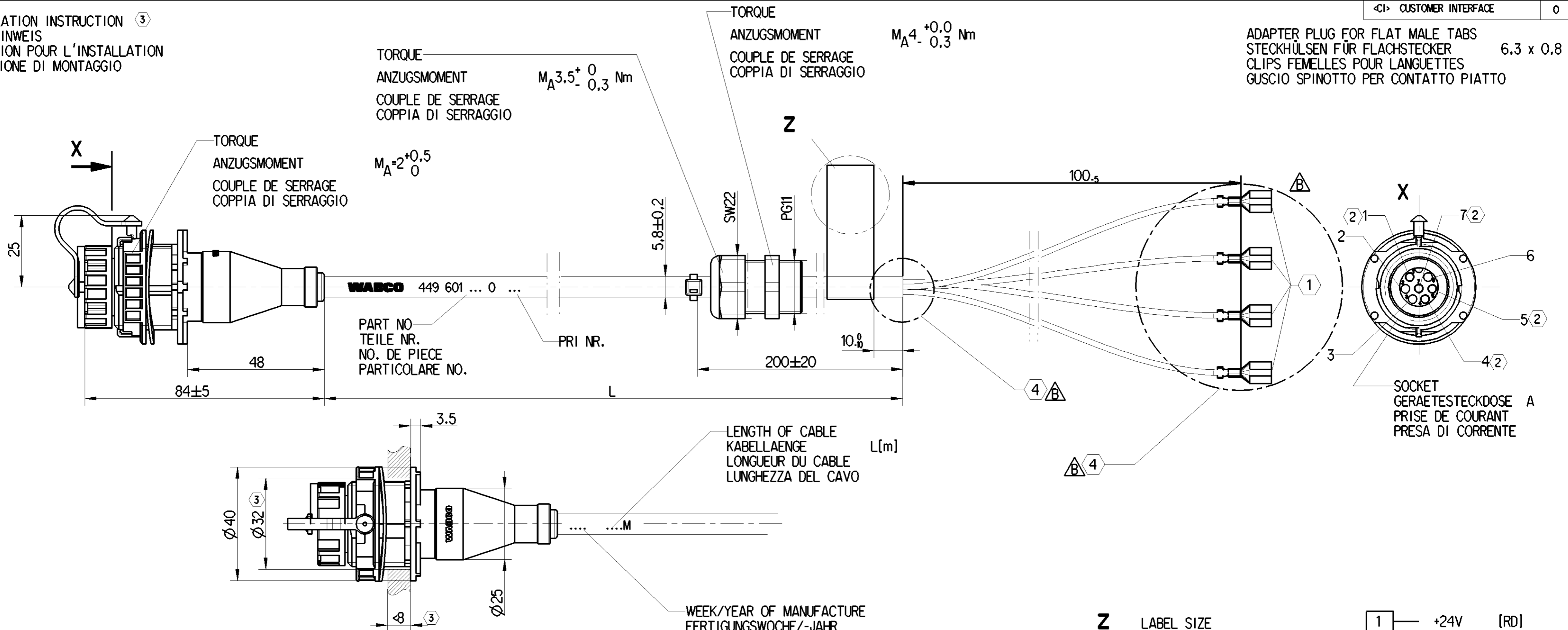


INSTALLATION INSTRUCTION ③  
 EINBAUHNWEIS  
 INDICATION POUR L'INSTALLATION  
 INDICAZIONE DI MONTAGGIO

<CI> CUSTOMER INTERFACE 0



RESISTANT TO : AIR,WATER,MINERAL OIL,PETROL,DIESEL OIL,SALT SPRAY  
 BESTÄNDIG GEGEN: LUFT,WASSER,MINERALÖL,BENZIN,DIESELÖL,SALZSPRUEHNEBEL  
 RESISTANT A : AIR,EAU,HUILE MINERALE,ESSENCE,GASOIL,BROUILLARD SALIN  
 RESISTENTE A : ARIA,AQUA,OLIO MINERALE,BENZINA,GASOLIO,NEBBIA SALINA

THERMAL RANGE OF APPLICATION :  
 THERMISCHER ANWENDBEREICH: -40 °C....+80 °C  
 GAMME D'APPLICATION THERMIQUE:  
 CAMPO TERMICO D'APPLICAZIONE :

DEGREE OF PROTECTION (IN CONNECTION WITH PLUG) :  
 SCHUTZART (IN VERBINDUNG MIT STECKER) : IP 6K 9K / IP 67  
 DEGRE DE PROTECTION (DANS CONNECTION AVEC FICHE) :  
 GRADO DI PROTEZIONE (IN RELAZIONE CON SPINA) :

CABLE:  
 LEITUNG: PUR FR  
 CABLE:  
 CAVO:

SURFACE PROTECTION :  
 OBERFLAECHENSCHUTZ : ① Sn  
 PROTECTION DE SURFACE: ② Ag  
 PROTEZIONE SUPERFICI :

CABLE COMPLY WITH UN/ECE R118

INSTALLATION INSTRUCTIONS TO BE OBSERVED :  
 INSTALLATIONSHINWEIS BEACHTEN : 449 000 000 0  
 INDICATION POUR L'INSTALLATION A OBSERVER : (DOC.CODE 011)  
 OSSERVARE INDICAZIONE DI MONTAGGIO :

④ CABLE SEAL AGAINST INGRESS WATER REQUIRED

WEEK/YEAR OF MANUFACTURE  
 FERTIGUNGSWOCHEN-/JAHR  
 SEMAINE/ANNEE DE FABRICATION  
 SETTIMANA/ANNO DELLA FABBRICAZIONE

Z LABEL SIZE  
 2:1 ETIKETTENGROESSE 32x100  
 DIMENSIONS DE L'ETIQUETTE  
 DIMENSIONE DELLA TARGHETTA

1	+24V	[RD]
2		
3		
4	CAN HIGH	[BK]
5	CAN LOW	[WH]
6		
7	GND	[BN]

rot/red - +24V  
 braun/brown - GND  
 schwarz/black CAN\_H  
 weiss/white - CAN\_L

CODE OF LENGTH LAENGCODIERUNG CODE DE LA LONGUEUR CODICE DEL LUNGHEZZA	
PART NO TEILE NR. NO DE PIECE CODICE	L[m] 449 601 □□□ 0
EXAMPLE BEISPIEL EXEMPLE ESEMPIO	L = 6_m 449 601 Q60 0
MIN/MAX LENGTH MIN/MAX LAENGE MIN/MAX LONGUEUR MIN/MAX LUNGHEZZA	L_min = 0.1m L_max = 20m
TOLERANCES TOLERANZEN TOLERANCES TOLERANZA	L < 10m ±0.050m L > 10m ±0.075m

General Specifications: ISO 8015, JED-334-1, Size ISO 14405 LP		Copyright WABCO®	
Further Technical Data:		Date	Signature
Doc. Code:	Sheet: To	2022-06-02	Selkowitz
General Tolerances JED-261		Checked	Grychowicz
Range of nominal dimensions in mm		Dimensions in mm	
Class 1)	≤ 50 > 50 ≤ 180 > 180 ≤ 400 > 400	Mass	Scale
Fine	±0.5 ±1 ±1.5 ±2	kg	1:1
Medium	±1 ±2 ±3 ±4	kg	449 601 000 0
Coarse	±2 ±3.5 ±5 ±6.5	kg	053 ML 1/1
Tapped Holes acc. Q		Material No.	Date of first issue:
1) Tolerance Class Applied Crossmarked		A 2 CREO	ECN-No. 506828 Revision 3 x B Techn. Resp. 6032_WH Replacement for

Non e permesso copiare o trarre o riprodurre questo documento, ne utilizzare il contenuto o renderlo comunque noto a terzi senza autorizzazione esplicita. Ogni infrazione costituisce un evidente abuso e comportera il risarcimento dei danni subiti. E' fatta riserva di tutti i diritti derivanti da brevetti o modelli.  
 Coping of this document and giving it to others and the use or communication of the contents thereof, are forbidden without express authority. Contention of this restriction will constitute an evident abuse and result in a liability to the payment of damages. All rights are reserved in the event of the grant of patent or registration of a utility model or design. This document is the subject of copyright.  
 Toute communication ou reproduction de ce document, toute exploitation ou communication de son contenu sont interdites, sauf autorisation expresse. Tout manquement a cette regle constitue un abus evident et expose son auteur au versement de dommages et interests. Tous droits de proprieite industrielle reserves, notamment en matiere de brevets et de modesles.  
 Weitergabe sowie Vervielfaeltigung dieser Unterlagen, Verwertung und Mitteilung ihres Inhalts nicht gestattet, soweit nicht ausdrücklich angedeutet. Zuwiderhandlungen stellen einen offensichtlichen Missbrauch dar und verpflichten zur Schadensersatz. Alle Rechte fuer den Fall der Patenterteilung oder Gebrauchsmuster-Eintragung vorbehalten.