

INSTALLATION INSTRUCTIONS TO BE OBSERVED:  
 INSTALLATIONSHINWEIS BEACHTEN: 449 000 000 0  
 INDICATION POUR L'INSTALLATION À OBSERVER: (DOC. CODE 011)  
 OSSERVARE INDICAZIONE DI MONTAGGIO:

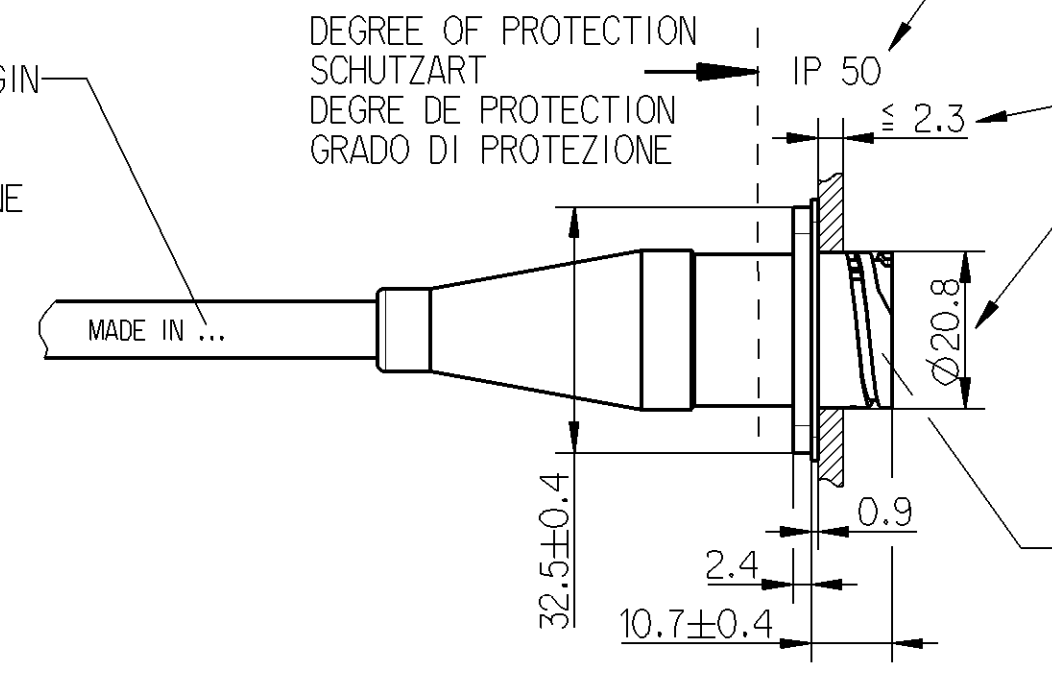
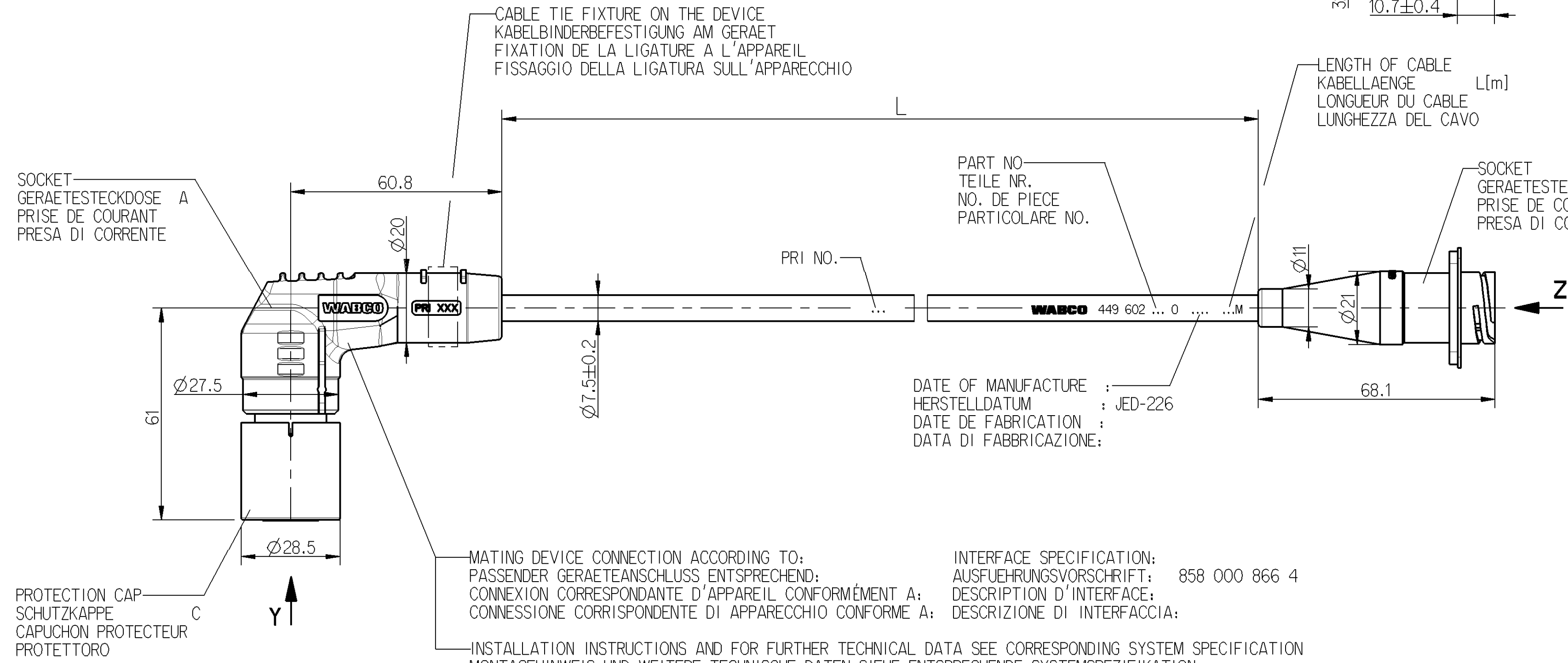
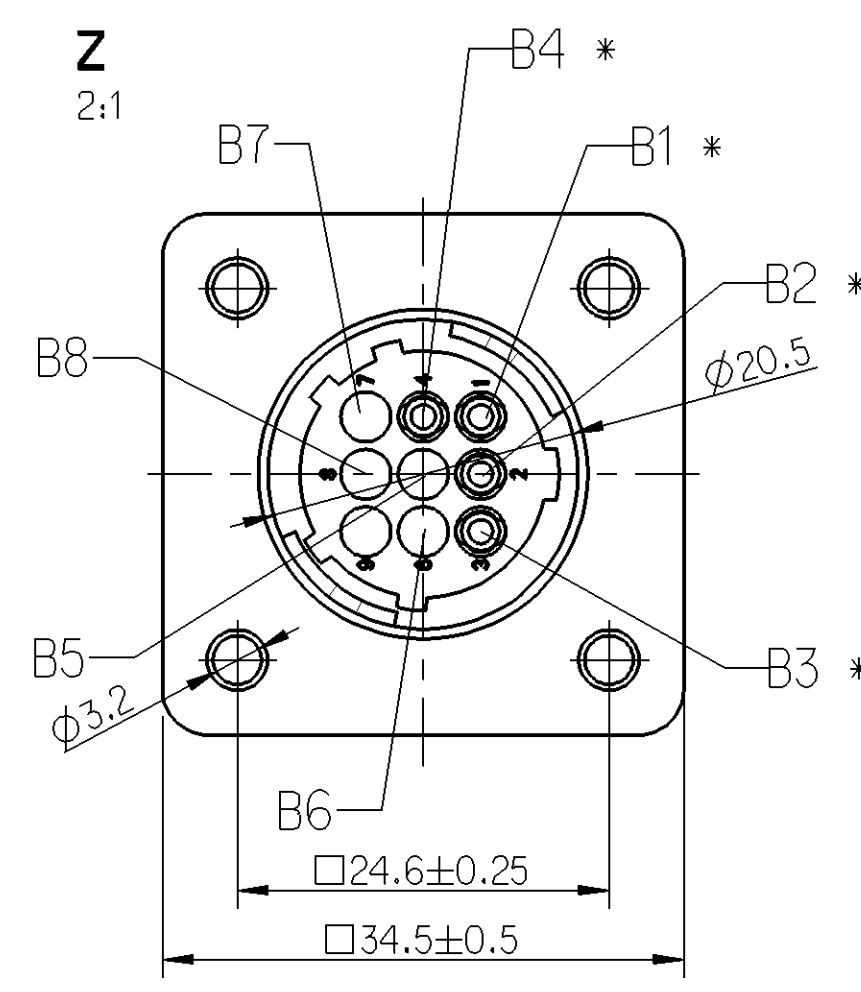
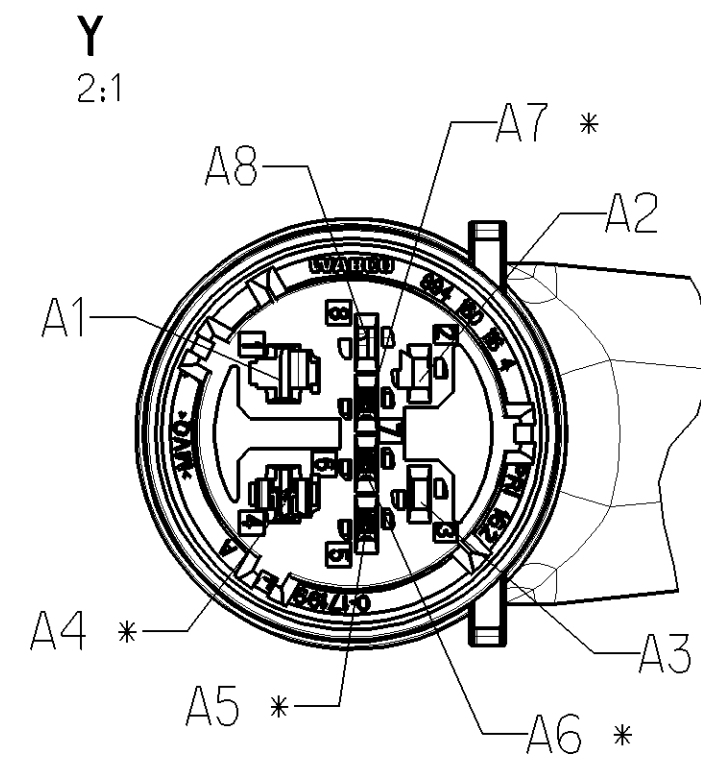
THERMAL RANGE OF APPLICATION :  
 THERMISCHER ANWENDUNGSBEREICH: -40°C....+80°C  
 GAMME D'APPLICATION THERMIQUE:  
 CAMPO TERMICO D'APPLICAZIONE :

MOUNTED CABLE RESISTANT TO : AIR, WATER, MINERAL OIL, DIESELOIL, SALTSpray  
 MONTIERTES KABEL BESTAENDIG GEGEN: LUFT, WASSER, MINERALOEL, DIESELOEL, SALZSPRUEHNEBEL  
 CABLE MONTÉ RESISTANT A : AIR,EAU, HUILE MINERALE, GASOIL, BROUILLARD SALIN  
 CAVO MONTATO RESISTENTE A : ARIA, AQUA, OLIO MINERALE, GASOLIO, NEBBIA SALINA

DEGREE OF PROTECTION (IN CONNECTION WITH PLUG) : A: IP 6K6K, IP 6K9K  
 SCHUTZART (IN VERBINDUNG MIT STECKER) : B: IP 6K9K  
 DEGRE DE PROTECTION (DANS CONNECTION AVEC FICHE): C: IP 54  
 GRADO DI PROTEZIONE (IN RELAZIONE CON SPINA) : ISO 20653

4-CORE CABLE:  
 LEITUNG 4-ADRIG: PUR  
 CABLE A 4 CONDUCTEURS: 4x0.5mm<sup>2</sup>  
 CAVO A 4 CONDUTTORI:

\* SURFACE PROTECTION :  
 OBERFLAECHENSCHUTZ : Sn  
 PROTECTION DE SURFACE:  
 PROTEZIONE SUPERFICI :



IDENTIFICATION OF COUNTRY OR ORIGIN  
 KENNZEICHNUNG WARENURSPRUNGSLAND  
 IDENTIFICATION DA PAYS D'ORIGINE  
 IDENTIFICAZIONE DEL PAESE D'ORIGINE

INSTALLATION: PROTECTED AGAINST MOISTURE  
 EINBAU: GEGEN FEUCHTIGKEIT GESCHÜTZT  
 INSTALLATION: PROTEGEZ CONTRE L'HUMIDITE  
 MONTAGGIO: PROTETTA CONTRO L'UMIDITA

INSTALLATION INSTRUCTION  
 EINBAUHINWEIS  
 INDICATION POUR L'INSTALLATION  
 INDICAZIONE DI MONTAGGIO

MATING PART 446 056 116 0 NOT SUPPLIED  
 GEGENSTUECK NICHT IM LIEFERUMFANG  
 PENDANT NON FUORNI  
 ACCOPPIAMENTO NON SI FORNISCONO

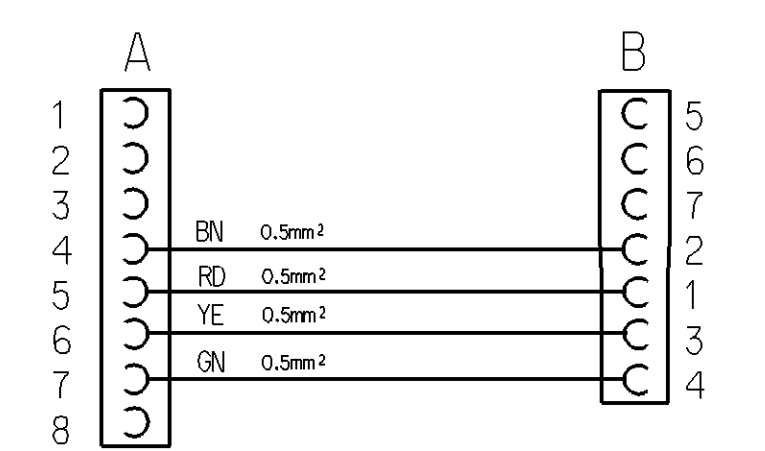
PART NO. TEILE NR. NO. DE PIECE PARTICOLARE NO.

DATE OF MANUFACTURE :  
 HERSTELLDATUM : JED-226  
 DATE OF FABRICATION :  
 DATA DI FABBRICAZIONE :

MATING DEVICE CONNECTION ACCORDING TO:  
 PASSENDER GERAETEANSCHLUSS ENTSPRECHEND:  
 CONNEXION CORRESPONDANTE D'APPAREIL CONFORMEMENT A:  
 CONNESSIONE CORRISPONDENTE DI APPARECCHIO CONFORME A:

INTERFACE SPECIFICATION:  
 AUSFUEHRUNGSVORSCHRIFT: 858 000 866 4  
 DESCRIPTION D'INTERFACE:  
 DESCRIZIONE DI INTERFACCIA:

INSTALLATION INSTRUCTIONS AND FOR FURTHER TECHNICAL DATA SEE CORRESPONDING SYSTEM SPECIFICATION  
 MONTAGEHINWEIS UND WEITERE TECHNISCHE DATEN SIEHE ENTSPRECHENDE SYSTEMSPEZIFIKATION  
 INDICATION POUR L'INSTALLATION ET POUR AUTRES DONNEES TECHNIQUES VOIR CORRESPONDANTE SPÉCIFICATION DU SYSTÈME  
 INDICAZIONE DI MONTAGGIO E PER ULTERIORI DATI TECNICI VEDERE CORRISPONDENTE SISTEMA SPECIFICA



\*\* DIN 16901-150

CHAMBER IN: KAMMER IN: A CHAMBRE EN: CAMERA IN:	CABLE KABEL CABLE CAVO	WIRE COLOUR ADER FARBE FIL COLEURE FILO COLORE	CHAMBER IN: KAMMER IN: B CHAMBRE EN: CAMERA IN:
1		NOT CONNECTED NICHT BELEGT NE PAS CONNECTE(E) NON COLLEGATO(TA)	
2		NOT CONNECTED NICHT BELEGT NE PAS CONNECTE(E) NON COLLEGATO(TA)	
3		NOT CONNECTED NICHT BELEGT NE PAS CONNECTE(E) NON COLLEGATO(TA)	
4	0.5mm <sup>2</sup>	BROWN BRAUN BRUN BRUNO	2
5	0.5mm <sup>2</sup>	RED ROT ROUGE ROSSO	1
6	0.5mm <sup>2</sup>	YELLOW GELB JAUNE GIALLO	3
7	0.5mm <sup>2</sup>	GREEN GRÜN VERT VERDE	4
8		NOT CONNECTED NICHT BELEGT NE PAS CONNECTE(E) NON COLLEGATO(TA)	

CODE OF LENGTH LAENGCODIERUNG CODE DE LA LONGUEUR CODICE DEL LUNGHEZZA	PART NO. TEILE NR. NO. DE PIECE CODICE	L [m]
	449 602	□ □ □ 0
EXAMPLE BEISPIEL EXEMPLE ESEMPIO		L = 5_m 449 602 050 0
MIN/MAX LENGTH MIN/MAX LAENGE MIN/MAX LONGUEUR MIN/MAX LUNGHEZZA		L <sub>min</sub> = 0.2m L <sub>max</sub> = 20m
TOLERANCES TOLERANZEN TOLERANCES TOLERANZA		L ≤ 10m ±0.050m L > 10m ±0.075m

General Specifications: JED-334-0 **		Copyright WABCO®		<b>WABCO</b>	
Further Technical Data:		Date	Signature	CABLE WITH SOCKET KABEL MIT GERAETESTECKDOSE CABLE AVEC PRISE DE COURANT CAVO CON PRESA DI CORRENTE	
Doc. Code:	Sheet: To:	2010-07-12	Nieber		
General Tolerances JED-261		2010-07-15	Hoeller		
Range of Nominal Dimensions ( ± mm)		Expert Nieber			
Class	1) ≤ 50	> 50 ≤ 180	> 180 ≤ 400		
Fine	0.5	1.0	1.5		
Medium	1.0	2.0	3.0		
Coarse	2.0	3.5	5.0		
Tapped Holes acc.		Material No.		Date of first issue: 2010-07-15	
1) Tolerance Class Applied Crossmarked		449 602 000 0		Doc.Code Language Sheet	
		ECN-No.		053 ML 1/1	
		Revision		Tech. Resp. 6172_EM	
		Tech. Resp.		Replacement for	

Non è permesso copiare o tradurre questo documento, né utilizzare il contenuto o i dati senza permesso scritto dalla WABCO. Il copyright è riservato a WABCO. Toute réimpression ou reproduction de ce document, toute exploitation ou communication de son contenu sans autorisation écrite de WABCO sont formellement interdites. Toute utilisation non autorisée de ce document est formellement interdite. All rights reserved. No part of this document may be reproduced, stored in a retrieval system, or transmitted, in any form or by any means, electronic, mechanical, photocopying, recording, or by any information storage and retrieval system, without the prior written permission of WABCO.