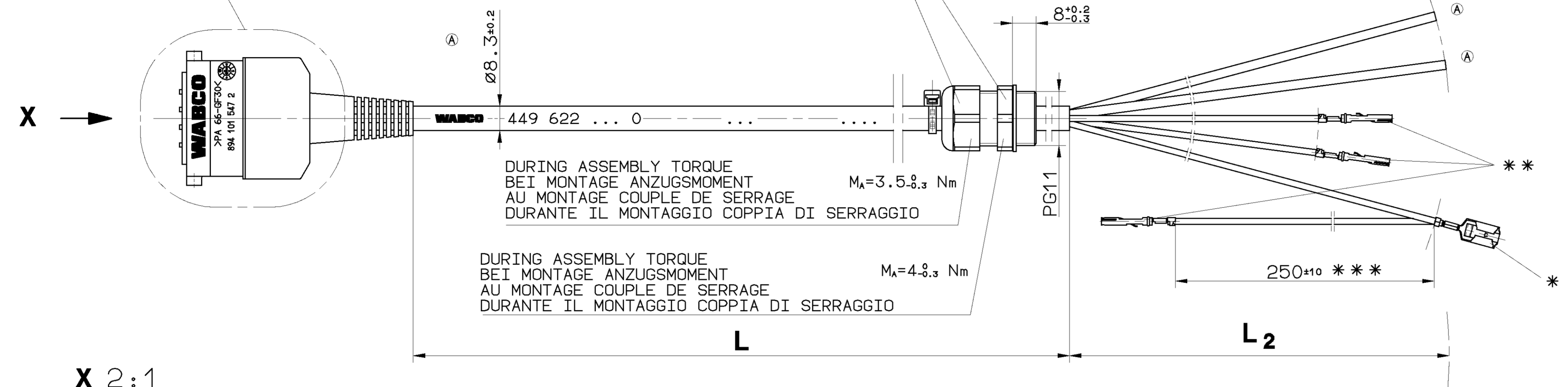


WIDTH ACROSS FLATS :
SCHLUESSELWEITE : 22
SURPLATS :
LARGHEZZA IN CHIAVE:

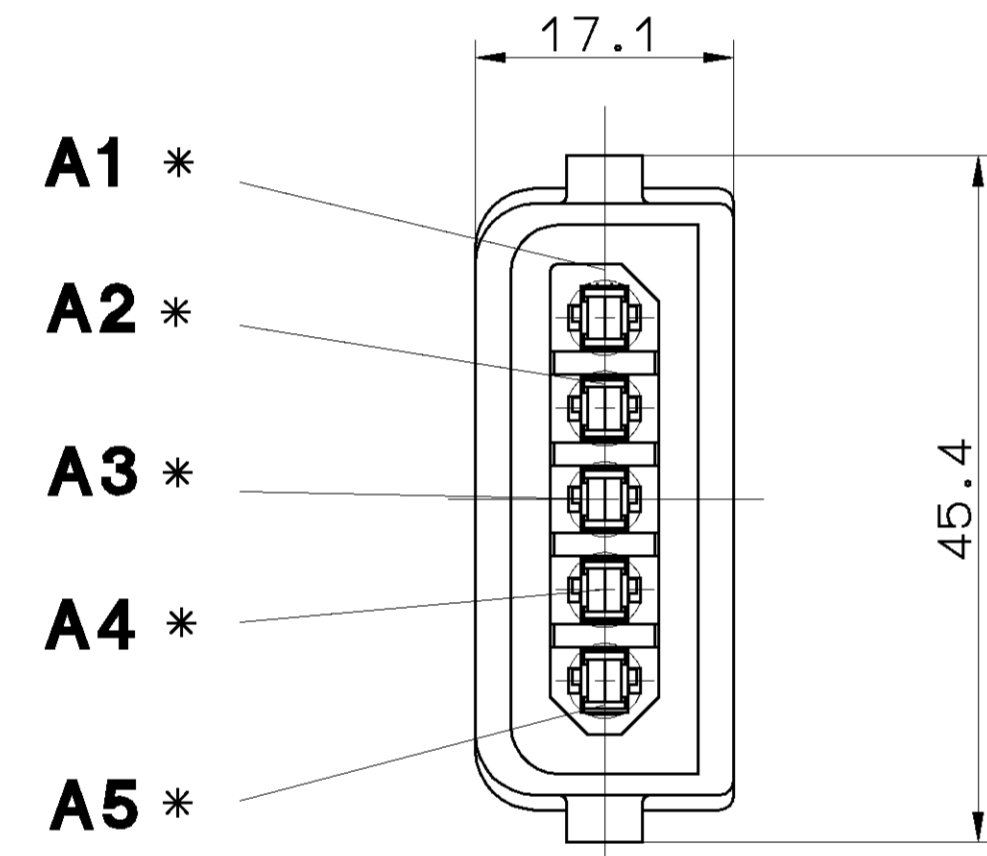
A
SOCKET
GERAETESTECKDOSE
PRISE DE COURANT
PRESA DI CORRENTE



DURING ASSEMBLY TORQUE
BEI MONTAGE ANZUGSMOMENT
AU MONTAGE COUPLE DE SERRAGE
DURANTE IL MONTAGGIO COPPIA DI SERRAGGIO
 $M_A=3.5 \pm 0.3$ Nm

DURING ASSEMBLY TORQUE
BEI MONTAGE ANZUGSMOMENT
AU MONTAGE COUPLE DE SERRAGE
DURANTE IL MONTAGGIO COPPIA DI SERRAGGIO
 $M_A=4.0 \pm 0.3$ Nm

X 2:1



THERMAL RANGE OF APPLICATION
THERMISCHER ANWENDUNGSBEREICH
GAMME D'APPLICATION THERMIQUE
CAMPO DI APPLICAZIONE TERMICA } -40° C....+80° C

TYPE OF PROTECTION (IN CONNECTION WITH PLUG)
SCHUTZART (IN VERBINDUNG MIT STECKER)
MODE DE PROTECTION (DANS CONNECTION AVEC FICHE)
TIPO DI PROTEZIONE (IN RELAZIONE CON SPINA) } IP 67 (IEC 529)
IP 6K9K (DIN 40050, BL.9)

5-CORE CABLE
LEITUNG 5-ADRIG
CABLE A 5-CONDUCTEURS
CAVO A 5-CONDUTTORI } PUR ^A
3×0.5mm² / 1×0.75mm²
2×2.5mm²

RESISTANT TO
BESTAENDIG GEGEN
RESISTANT A
RESISTENTE A } AIR, WATER, MINERAL OIL, PETROL, DIESELOIL, SALTSpray
LUFT, WASSER, MINERALOEL, BENZIN, DIESELOEL, SALZSPRUEHNEBEL
AIR, EAU, HUILE MINERALE, ESSENCE, GASOIL, BROUILLARD SALIN
ARIA, AQUA, OLIO, MINERALE, BENZINA, GASOLIO, NEBBIA SALINA

* SURFACE PROTECTION :
OBERFLAECHENSCHUTZ : Sn
PROTECTION DE SURFACE:
PROTEZIONE SUPERFICI :

** SURFACE PROTECTION :
OBERFLAECHENSCHUTZ : Ag
PROTECTION DE SURFACE:
PROTEZIONE SUPERFICI :

CHAMBER IN : KAMMER IN : CHAMBRE EN : CAMERA IN :	WIRE COLOUR ADER FARBE FIL COLOUR FILE COLORE	CROSS SECTION QUERSCHNITT SECTION DE TRANSVERSALE SEZIONE TRASVERSALE	LENGTH LAENGE LONGUEUR LUNGHEZZA
	A		L₂
1	YELLOW GELB JAUNE GIALLO	0.5 mm ²	100±10
2	GREEN GRUEN VERT VERDE	0.5 mm ²	100±10
3	RED ROT ROUGE ROSSO	2.5 mm ² ^A	300±10
4	BROWN BRAUN BRUN MARRONE	2.5 mm ² ^A	300±10
5	BLUE-BROWN BLAU-BRAUN BLEU-BRUN BLU-MARRONE	0.5 mm ²	270±10
** *	BLUE-GREEN BLAU-GRUEN BLEU-VERT BLU-VERDE	0.75mm ²	

CODE OF LENGTH
LAENGENCODIERUNG
CODE DE LA LONGUEUR
CODICE DEL LUNGHEZZA

ORDER NUMBER
BESTELLNUMMER
NUMERO DE COMMANDE
NUMERO DELL'ORDINE

EXAMPLE
BEISPIEL
EXEMPLE
ESEMPIO

MIN/MAX LENGTH
MIN/MAX LAENGE
MIN/MAX LONGUEUR
MIN/MAX LUNGHEZZA

TOLERANCES
TOLERANZEN
TOLERANCES
TOLERANZA

L [m]

449 622 □□□ 0

L = 1 m

449 622 010 0

L_{min} = 0.1 m

L_{max} = 20.0 m

L ≤ 10m +0.100
-0.050

L > 10m +0.125
-0.075

GENERAL SPECIFICATION: JED-034

FURTHER TECHNICAL DATA:

DOC. CODE: SHEET: TO:

GENERAL TOLERANCES

CLASS	1)	≤50	>50 ≤180	>180 ≤400	>400
FINE		0,5	1,0	1,5	2,0
MEDIUM		1,0	2,0	3,0	4,0
COARSE		2,0	3,5	5,0	6,5

TAPPED HOLES ACC. ISO 4039 / JED-162

1) TOLERANCE CLASS APPLIED CROSSMARKED

065144 6xA 98-02-06

DATE: 98-02-06

SCALE: 1:1 (2:1)

SIZE: A 1 142

SHAPE CODE

REPLACEMENT FOR

GENERAL SPECIFICATION: JED-034

FURTHER TECHNICAL DATA:

DOC. CODE: SHEET: TO:

GENERAL TOLERANCES

CLASS	1)	≤50	>50 ≤180	>180 ≤400	>400
FINE		0,5	1,0	1,5	2,0
MEDIUM		1,0	2,0	3,0	4,0
COARSE		2,0	3,5	5,0	6,5

TAPPED HOLES ACC. ISO 4039 / JED-162

1) TOLERANCE CLASS APPLIED CROSSMARKED

065144 6xA 98-02-06

DATE: 98-02-06

SCALE: 1:1 (2:1)

SIZE: A 1 142

SHAPE CODE

REPLACEMENT FOR

GENERAL SPECIFICATION: JED-034

FURTHER TECHNICAL DATA:

DOC. CODE: SHEET: TO:

GENERAL TOLERANCES

CLASS	1)	≤50	>50 ≤180	>180 ≤400	>400
FINE		0,5	1,0	1,5	2,0
MEDIUM		1,0	2,0	3,0	4,0
COARSE		2,0	3,5	5,0	6,5

TAPPED HOLES ACC. ISO 4039 / JED-162

1) TOLERANCE CLASS APPLIED CROSSMARKED

065144 6xA 98-02-06

DATE: 98-02-06

SCALE: 1:1 (2:1)

SIZE: A 1 142

SHAPE CODE

REPLACEMENT FOR

GENERAL SPECIFICATION: JED-034

FURTHER TECHNICAL DATA:

DOC. CODE: SHEET: TO:

GENERAL TOLERANCES

CLASS	1)	≤50	>50 ≤180	>180 ≤400	>400
FINE		0,5	1,0	1,5	2,0
MEDIUM		1,0	2,0	3,0	4,0
COARSE		2,0	3,5	5,0	6,5

TAPPED HOLES ACC. ISO 4039 / JED-162

1) TOLERANCE CLASS APPLIED CROSSMARKED

065144 6xA 98-02-06

DATE: 98-02-06

SCALE: 1:1 (2:1)

SIZE: A 1 142

SHAPE CODE

REPLACEMENT FOR

GENERAL SPECIFICATION: JED-034

FURTHER TECHNICAL DATA:

DOC. CODE: SHEET: TO:

GENERAL TOLERANCES

CLASS	1)	≤50	>50 ≤180	>180 ≤400	>400
FINE		0,5	1,0	1,5	2,0
MEDIUM		1,0	2,0	3,0	4,0
COARSE		2,0	3,5	5,0	6,5

TAPPED HOLES ACC. ISO 4039 / JED-162

1) TOLERANCE CLASS APPLIED CROSSMARKED

065144 6xA 98-02-06

DATE: 98-02-06

SCALE: 1:1 (2:1)

SIZE: A 1 142

SHAPE CODE

REPLACEMENT FOR

GENERAL SPECIFICATION: JED-034

FURTHER TECHNICAL DATA:

DOC. CODE: SHEET: TO:

GENERAL TOLERANCES

CLASS	1)	≤50	>50 ≤180	>180 ≤400	>400
FINE		0,5	1,0	1,5	2,0
MEDIUM		1,0	2,0	3,0	4,0
COARSE		2,0	3,5	5,0	6,5

TAPPED HOLES ACC. ISO 4039 / JED-162

1) TOLERANCE CLASS APPLIED CROSSMARKED

065144 6xA 98-02-06

DATE: 98-02-06

SCALE: 1:1 (2:1)

SIZE: A 1 142

SHAPE CODE

REPLACEMENT FOR

GENERAL SPECIFICATION: JED-034

FURTHER TECHNICAL DATA:

DOC. CODE: SHEET: TO:

GENERAL TOLERANCES

CLASS	1)	≤50	>50 ≤180	>180 ≤400	>400
FINE		0,5	1,0	1,5	2,0
MEDIUM		1,0	2,0	3,0	4,0
COARSE		2,0	3,5	5,0	6,5

TAPPED HOLES ACC. ISO 4039 / JED-162

1) TOLERANCE CLASS APPLIED CROSSMARKED

065144 6xA 98-02-06

DATE: 98-02-06

SCALE: 1:1 (2:1)

SIZE: A 1 142

SHAPE CODE

REPLACEMENT FOR

GENERAL SPECIFICATION: JED-034

FURTHER TECHNICAL DATA:

DOC. CODE: SHEET: TO:

GENERAL TOLERANCES

CLASS	1)	≤50	>50 ≤180	>180 ≤400	>400
FINE		0,5	1,0	1,5	2,0
MEDIUM		1,0	2,0	3,0	4,0
COARSE		2,0	3,5	5,0	6,5

TAPPED HOLES ACC. ISO 4039 / JED-162

1) TOLERANCE CLASS APPLIED CROSSMARKED

065144 6xA 98-02-06

DATE: 98-02-06

SCALE: 1:1 (2:1)

SIZE: A 1 142

SHAPE CODE

REPLACEMENT FOR

GENERAL SPECIFICATION: JED-034

FURTHER TECHNICAL DATA:

DOC. CODE: SHEET: TO:

GENERAL TOLERANCES

CLASS	1)	≤50	>50 ≤180	>180 ≤400	>400
FINE		0,5	1,0	1,5	2,0
MEDIUM		1,0	2,0	3,0	4,0
COARSE		2,0	3,5	5,0	6,5

TAPPED HOLES ACC. ISO 4039 / JED-162

1) TOLERANCE CLASS APPLIED CROSSMARKED

065144 6xA 98-02-06

DATE: 98-02-06

SCALE: 1:1 (2:1)

SIZE: A 1 142

SHAPE CODE

REPLACEMENT FOR

GENERAL SPECIFICATION: JED-034

FURTHER TECHNICAL DATA:

DOC. CODE: SHEET: TO:

GENERAL TOLERANCES

CLASS	1)	≤50	>50 ≤180	>180 ≤400	>400
FINE		0,5	1,0	1,5	2,0
MEDIUM		1,0	2,0	3,0	4,0
COARSE		2,0	3,5	5,0	6,5

TAPPED HOLES ACC. ISO 4039 / JED-162

1) TOLERANCE CLASS APPLIED CROSSMARKED

065144 6xA 98-02-06

DATE: 98-02-06

SCALE: 1:1 (2:1)

SIZE: A 1 142

SHAPE CODE

REPLACEMENT FOR

GENERAL SPECIFICATION: JED-034

FURTHER TECHNICAL DATA:

DOC. CODE: SHEET: TO:

GENERAL TOLERANCES

CLASS	1)	≤50	>50 ≤180	>180 ≤400	>400
FINE		0,5	1,0	1,5	2,0
MEDIUM		1,0	2,0	3,0	4,0
COARSE		2,0	3,5	5,0	6,5

TAPPED HOLES ACC. ISO 4039 / JED-162

1) TOLERANCE CLASS APPLIED CROSSMARKED

065144 6xA 98-02-06

DATE: 98-02-06

SCALE: 1:1 (2:1)

SIZE: A 1 142

SHAPE CODE

REPLACEMENT FOR

GENERAL SPECIFICATION: JED-034

FURTHER TECHNICAL DATA:

DOC. CODE: SHEET: TO:

GENERAL TOLERANCES

CLASS	1)	≤50	>50 ≤180	>180 ≤400	>400
FINE		0,5	1,0	1,5	2,0
MEDIUM		1,0	2,0	3,0	4,0
COARSE		2,0	3,5	5,0	6,5

TAPPED HOLES ACC. ISO 4039 / JED-162

1) TOLERANCE CLASS APPLIED CROSSMARKED

065144 6xA 98-02-06

DATE: 98-02-06

SCALE: 1:1 (2:1)

SIZE: A 1 142

SHAPE CODE

REPLACEMENT FOR

GENERAL SPECIFICATION: JED-034

FURTHER TECHNICAL DATA:

DOC. CODE: SHEET: TO:

GENERAL TOLERANCES

CLASS	1)	≤50	>50 ≤180	>180 ≤400	>400
FINE		0,5	1,0	1,5	2,0
MEDIUM		1,0	2,0	3,0	4,0
COARSE		2,0	3,5	5,0	6,5

TAPPED HOLES ACC. ISO 4039 / JED-162

1) TOLERANCE CLASS APPLIED CROSSMARKED

065144 6xA 98-02-06

DATE: 98-02-06

SCALE: 1:1 (2:1)

SIZE: A 1 142

SHAPE CODE

REPLACEMENT FOR

GENERAL SPECIFICATION: JED-034

FURTHER TECHNICAL DATA:

DOC. CODE: SHEET: TO:

GENERAL TOLERANCES

CLASS	1)	≤50	>50 ≤180	>180 ≤400	>400
FINE		0,5	1,0	1,5	2,0
MEDIUM		1,0	2,0	3,0	4,0
COARSE		2,0	3,5	5,0	6,5

TAPPED HOLES ACC. ISO 4039 / JED-162

1) TOLERANCE CLASS APPLIED CROSSMARKED

065144 6xA 98-02-06

DATE: 98-02-06

SCALE: 1:1 (2:1)

SIZE: A 1 142

SHAPE CODE

REPLACEMENT FOR

GENERAL SPECIFICATION: JED-034

FURTHER TECHNICAL DATA:

DOC. CODE: SHEET: TO:

GENERAL TOLERANCES

CLASS	1)	≤50	>50 ≤180	>180 ≤400	>400
FINE		0,5	1,0	1,5	2,0
MEDIUM		1,0	2,0	3,0	4,0
COARSE		2,0	3,5	5,0	6,5

TAPPED HOLES ACC. ISO 4039 / JED-162

1) TOLERANCE CLASS APPLIED CROSSMARKED

065144 6xA 98-02-06

DATE: 98-02-06

SCALE: 1:1 (2:1)

SIZE: A 1 142

SHAPE CODE

REPLACEMENT FOR

GENERAL SPECIFICATION: JED-034

FURTHER TECHNICAL DATA:

DOC. CODE: SHEET: TO:

GENERAL TOLERANCES

CLASS	1)	≤50	>50 ≤180	>180 ≤400	>400
FINE		0,5	1,0	1,5	2,0
MEDIUM		1,0	2,0	3,0	4,0
COARSE		2,0	3,5	5,0	6,5

TAPPED HOLES ACC. ISO 4039 / JED-162

1) TOLERANCE CLASS APPLIED CROSSMARKED

065144 6xA 98-02-06

DATE: 98-02-06

SCALE: 1:1 (2:1)

SIZE: A 1 142

SHAPE CODE

REPLACEMENT FOR

GENERAL SPECIFICATION: JED-034

FURTHER TECHNICAL DATA:

DOC. CODE: SHEET: TO:

GENERAL TOLERANCES

CLASS	1)	≤50	>50 ≤180	>180 ≤400	>400
FINE		0,5	1,0	1,5	2,0
MEDIUM		1,0	2,0	3,0	4,0
COARSE		2,0	3,5	5,0	6,5

TAPPED HOLES ACC. ISO 4039 / JED-162

1) TOLERANCE CLASS APPLIED CROSSMARKED

065144 6xA 98-02-06

DATE: 98-02-06

SCALE: 1:1 (2:1)

SIZE: A 1 142

SHAPE CODE

REPLACEMENT FOR

GENERAL SPECIFICATION: JED-034

FURTHER TECHNICAL DATA:

DOC. CODE: SHEET: TO:

GENERAL TOLERANCES

CLASS	1)	≤50	>50 ≤180	>180 ≤400	>400
FINE		0,5	1,0	1,5	2,0
MEDIUM		1,0	2,0	3,0	4,0
COARSE		2,0	3,5	5,0	6,5

TAPPED HOLES ACC. ISO 4039 / JED-162

1) TOLERANCE CLASS APPLIED CROSSMARKED

065144 6xA 98-02-06

DATE: 98-02-06

SCALE: 1:1 (2:1)

SIZE: A 1 142

SHAPE CODE

REPLACEMENT FOR

GENERAL SPECIFICATION: JED-034

FURTHER TECHNICAL DATA:

DOC. CODE: SHEET: TO:

GENERAL TOLERANCES

CLASS	1)	≤50	>50 ≤180	>180 ≤400	>400
FINE		0,5	1,0	1,5	2,0
MEDIUM		1,0	2,0	3,0	4,0
COARSE		2,0	3,5	5,0	6,5

TAPPED HOLES ACC. ISO 4039 / JED-162

1) TOLERANCE CLASS APPLIED CROSSMARKED

065144 6xA 98-02-06

DATE: 98-02-06

SCALE: 1:1 (2:1)

SIZE: A 1 142

SHAPE CODE

REPLACEMENT FOR

GENERAL SPECIFICATION: JED-034

FURTHER TECHNICAL DATA:

DOC. CODE: SHEET: TO:

GENERAL TOLERANCES

CLASS	1)	≤50	>50 ≤180	>180 ≤400	>400
FINE		0,5	1,0	1,5	2,0
MEDIUM		1,0	2,0	3,0	4,0
COARSE		2,0	3,5	5,0	6,5

TAPPED HOLES ACC. ISO 4039 / JED-162

1) TOLERANCE CLASS APPLIED CROSSMARKED

065144 6xA 98-02-06

DATE: 98-02-06

SCALE: 1:1 (2:1)

SIZE: A 1 142

SHAPE CODE

REPLACEMENT FOR

GENERAL SPECIFICATION: JED-034

FURTHER TECHNICAL DATA:

DOC. CODE: SHEET: TO:

GENERAL TOLERANCES

CLASS	1)	≤50	>50 ≤180	>180 ≤400	>400
FINE		0,5	1,0	1,5	2,0
MEDIUM		1,0	2,0	3,0	4,0
COARSE		2,0	3,5	5,0	6,5

TAPPED HOLES ACC. ISO 4039 / JED-162

1) TOLERANCE CLASS APPLIED CROSSMARKED

065144 6xA 98-02-06

DATE: 98-02-06

SCALE: 1:1 (2:1)

SIZE: A 1 142

SHAPE CODE

REPLACEMENT FOR

GENERAL SPECIFICATION: JED-034

FURTHER TECHNICAL DATA:

DOC. CODE: SHEET: TO:

GENERAL TOLERANCES

CLASS	1)	≤50	>50 ≤180	>180 ≤400	>400
FINE		0,5	1,0	1,5	2,0
MEDIUM		1,0	2,0	3,0	4,0
COARSE		2,0	3,5	5,0	6,5

TAPPED HOLES ACC. ISO 4039 / JED-162

1) TOLERANCE CLASS APPLIED CROSSMARKED

065144 6xA 98-02-06

DATE: 98-02-06

SCALE: 1:1 (2:1)

SIZE: A 1 142

SHAPE CODE

REPLACEMENT FOR

GENERAL SPECIFICATION: JED-034

FURTHER TECHNICAL DATA:

DOC. CODE: SHEET: TO:

GENERAL TOLERANCES

CLASS	1)	≤50	>50 ≤180	>180 ≤400	>400
FINE		0,5	1,0	1,5	2,0
MEDIUM		1,0	2,0	3,0	4,0
COARSE		2,0	3,5	5,0	6,5

TAPPED HOLES ACC. ISO 4039 / JED-162

1) TOLERANCE CLASS APPLIED CROSSMARKED

065144 6xA 98-02-06

DATE: 98