

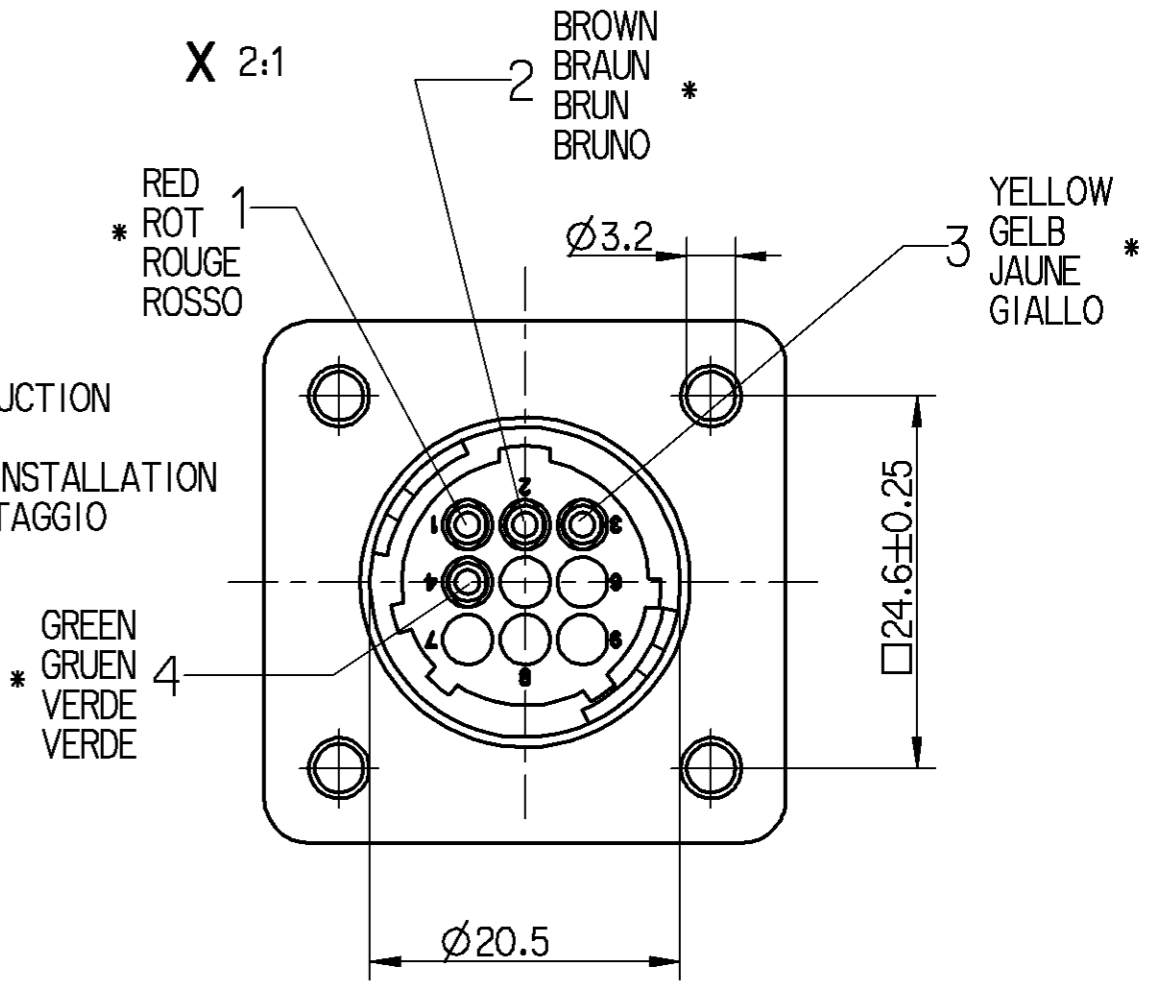
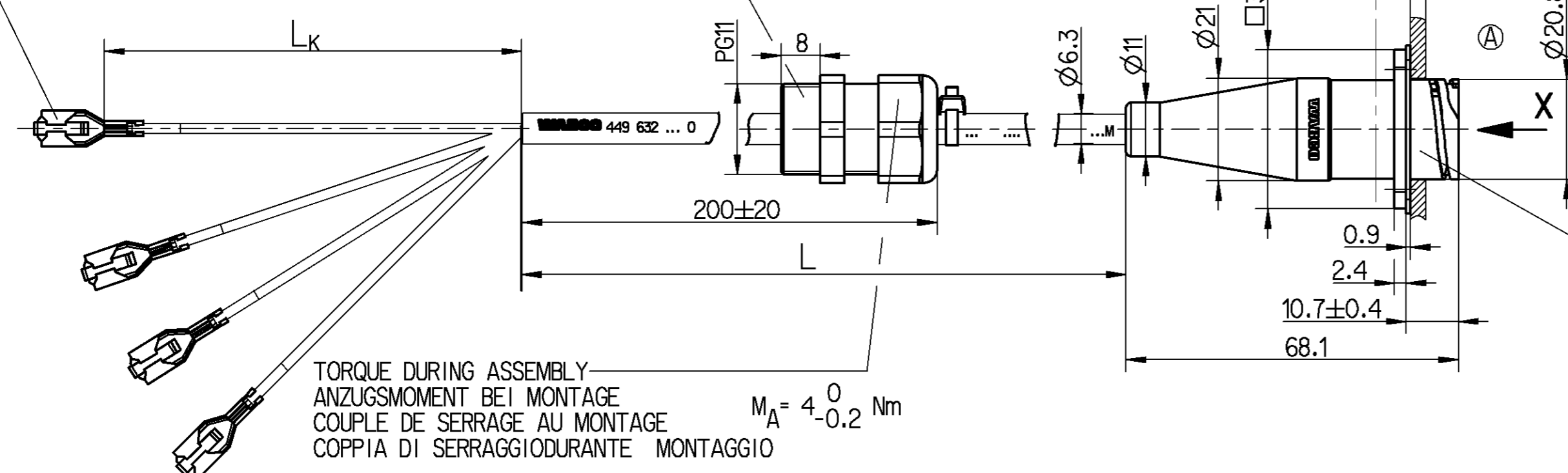
NON È PERMESSO CONSERVARE A TERZI O RIPRODURRE QUESTO DOCUMENTO, NE UTILIZZARE IL CONTENUTO O RENDERSI RESPONSABILI PER QUALSIASI DANNO, PERDITA O INTERRUZIONE DI ATTIVITÀ, DANNI MATERIALI, DA BREVETTI, O MODELLI. COPIE OF THIS DOCUMENT AND GIVING IT TO OTHERS AND THE USE OR COMMUNICATION OF THE CONTENTS THEREOF, ARE PROHIBITED AND WILL BE CONSIDERED AS A VIOLATION OF THE PATENT RIGHTS AND WILL BE THE SUBJECT OF LEGAL ACTION. ALL RIGHTS ARE RESERVED IN THE EVENT OF THE GRANT OF PATENT OR REGISTRATION OF A UTILITY MODEL OR DESIGN. THIS DOCUMENT IS THE SUBJECT OF COPYRIGHT.

FOR FLAT CONTACT  
 \* FUER FLACHSTECKER IEC 760-6,3x0.8  
 POUR LES CONTACT PLATS  
 PER CONTATTO PIATTO

TORQUE DURING ASSEMBLY  
 ANZUGSMOMENT BEI MONTAGE  $M_A = 4_{-0.3}^0$  Nm  
 COUPLE DE SERRAGE AU MONTAGE  
 COPPIA DI SERRAGGIODURANTE MONTAGGIO

INSTALLATION: PROTECTED AGAINST MOISTURE  
 EINBAU: GEGEN FEUCHTIGKEIT GESCHUETZT  
 INSTALLATION: PROTEGEZ CONTRE L'HUMIDITE  
 MONTAGGIO: PROTETTA CONTRO L'UMIDITA

INSTALLATION INSTRUCTION  
 EINBAUHINWEIS  
 INDICATION POUR L'INSTALLATION  
 INDICAZIONE DI MONTAGGIO



MATING PART  
 GEGENSTUECK 446 056 116 0 NOT SUPPLIED  
 PENDANT ACCOPIAMENTO NON FUORNI  
 NON SI FORNISCONO

DEGREE OF PROTECTION (IN CONNECTION WITH SOCKET):  
 SCHUTZART (IN VERBINDUNG MIT GERAETESTECKDOSE) : IP 6K 7 , IP 6K 9K  
 \*\* DEGRE DE PROTECTION (DANS CONNECTION AVEC PRISE DE COURANT): DIN 40050  
 GRADO DI PROTEZIONE (IN RELAZIONE CON PRESA DI CORRENTE):

DEGREE OF PROTECTION (IN CONNECTION WITH SOCKET):  
 SCHUTZART (IN VERBINDUNG MIT GERAETESTECKDOSE) : IP 50  
 \*\*\* DEGRE DE PROTECTION (DANS CONNECTION AVEC PRISE DE COURANT): IEC 529  
 GRADO DI PROTEZIONE (IN RELAZIONE CON PRESA DI CORRENTE):

RESISTANT TO : AIR, WATER, MINERAL OIL, PETROL, DIESEL OIL, SALT SPRAY  
 BESTAENDIG GEGEN: LUFT, WASSER, MINERAL OEL, BENZIN, DIESEL OEL, SALZSPRUEHNEBEL  
 RESISTANT A : AIR, EAU, HUILE MINERALE, ESSENCE, GASOIL, BROUILLARD SALIN  
 RESISTENTE A : ARIA, AQUA, OLIO MINERALE, BENZINA, GASOLIO, NEBBIA SALINA

COLOUR OF CORE ADERFARBE COULEUR DU FILS COLORANTE DEL FILI	RED ROT ROUGE ROSSO	BROWN BRAUN BRUN BRUNO	GREEN GRUEN VERT VERDE	YELLOW GELB JAUNE GIALLO
LENGTH OF CORE ADERLAENGE LONGUEUR DU FILS LUNGHEZZA DEL FILI	$L_k$ (mm)	$100_{-5}^0$	$100_{-5}^0$	$80_{-5}^0$

4-CORE CABLE  
 LEITUNG 4-ADRIG  
 CABLE A 4-CONDUCTEURS  
 CAVO A 4-CONDUTTORI

SURFACE PROTECTION  
 OBERFLAECHENSCHUTZ  
 \* PROTECTION DE SURFACE  
 PROTEZIONE SUPERFICI

THERMAL RANGE OF APPLICATION :  
 THERMISCHER ANWENDUNGSBEREICH:  $-40^{\circ}\text{C} \dots +80^{\circ}\text{C}$   
 GAMME D'APPLICATION THERMIQUE:  
 CAMPO TERMICO D'APPLICAZIONE :

CODE OF LENGTH LAENGCODIERUNG CODE DE LA LONGUEUR CODICE DEL LUNGHEZZA	
PART NO TEILE NR. NO DE PIECE CODICE	449 632 $\square \square, \square 0$
EXAMPLE BEISPIEL EXEMPLE ESEMPIO	$L = 6_m$ 449 632 060 0
MIN/MAX LENGTH MIN/MAX LAENGE MIN/MAX LONGUEUR MIN/MAX LUNGHEZZA	$L_{min} = 0.1m$ $L_{max} = 20m$
TOLERANCES TOLERANZEN TOLERANCES TOLERANZA	$L < 10m \pm 0.050m$ $L > 10m \pm 0.075m$

GENERAL SPECIFICATION: JED-334-0	
FURTHER TECHNICAL DATA:	
DOC. CODE:	SHEET: TO
GENERAL TOLERANCES	
RANGE OF NOMINAL DIMENSIONS ( ± mm )	
CLASS	1) ≤ 50 > 50 > 180
FINE	0.5 1.0 1.5 2.0
MEDIUM X	1.0 2.0 3.0 4.0
COARSE	2.0 3.5 5.0 6.5
TAPPED HOLES ACC. ISO 4039 / JED-152 078006 1x A 01-09-26	
1) TOLERANCE CLASS APPLIED CROSSMARKED DCH-NO. REV. DATE	

Pro/ENGINEER DRAWING COPYRIGHT		<b>WABCO</b>	
DATE	SIGNATURE	CABLE BEDIENEINHEITKABEL	
01-09-26	HEYDA	CABLE CAVO	
CHECKED		PRODUCT IDENTIFICATION NO.	
01-09-26	OVERHAGE	449 632 000 0	
EXPERT CODE	7 7 4	DOC. CODE	SHEET
MASS SCALE		653	1/1
KG	1:1 (2:1)	REPLACEMENT FOR	
SIZE	TRI	01 X 449 632 000 0/97-11-14	
A 2	142		

TOUTE COMMUNICATION DE REPRODUCTION DE CE DOCUMENT, TOUTE EXPLOITATION DE COMMUNICATION DE SON CONTENU, EN TOUT ETAT ET EN TOUT MOYEN, EST INTERDITE. TOUS DROITS DE PROPRIETE INDUSTRIELLE RESERVEES. NOTAMMENT EN MATIERE DE BREVETS ET DE MODELES.

Td I.: 4496320000-653