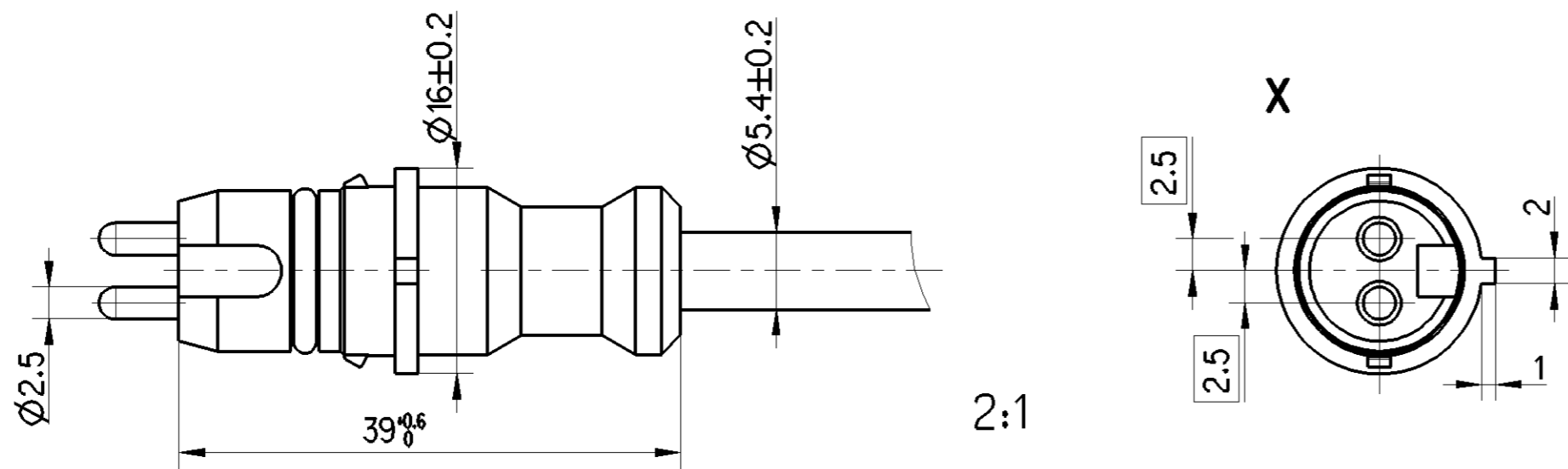


INSTALLATION INSTRUCTIONS TO BE OBSERVED  
 INSTALLATIONSHINWEIS BEACHTEN  
 INDICATION POUR L'INSTALLATION À OBSERVER  
 OSSERVARE INDICAZIONE DI MONTAGGIO

449 000 000 0  
 (DOC.CODE 611)

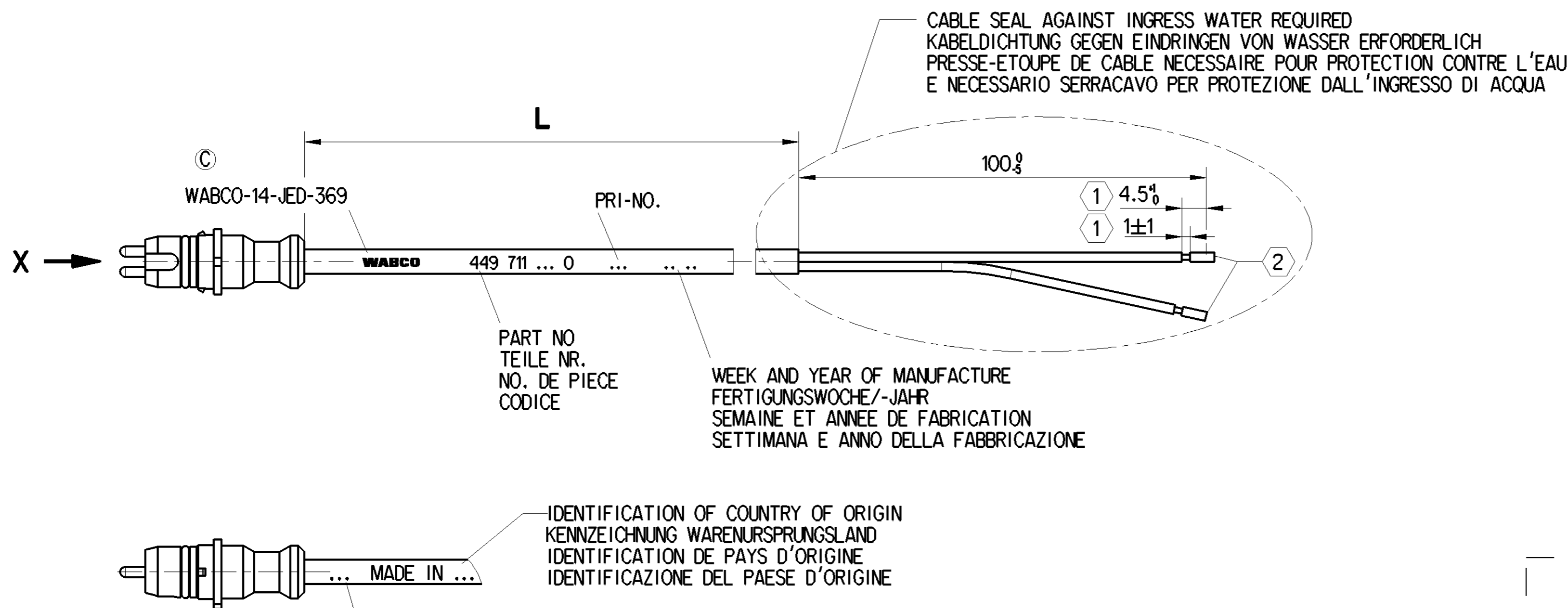


THERMAL RANGE OF APPLICATION  
 THERMISCHER ANWENDUNGSBEREICH  
 GAMME D'APPLICATION THERMIQUE  
 CAMPO TERMICO D'APPLICAZIONE } -40°C...+80°C

TWO CORE CABLE  
 LEITUNG ZWEIADRIG  
 CABLE A DEUX CONDUCTEURS  
 CAVO A DUE CONDUTORI } PUR  
 2x0.75mm<sup>2</sup>

STRAIN RELIEF CABLE  
 ZUGENTLASTUNG KABEL  
 ARRET DE CABLE  
 SCARICO DI TRAZIONE DEL CAVO }  $\sigma = 20^\circ\text{C}$   
 MAX. 50N

BEND RADIUS CABLE  
 BIEGERADIUS KABEL  
 RAYON DE COURBURE DU CABLE  
 RAGGIO DI CURVATURA DEL CAVO } R 15 MIN.  $\angle 90^\circ$



CABLE SEAL AGAINST INGRESS WATER REQUIRED  
 KABELDICHTUNG GEGEN EINDRINGEN VON WASSER ERFORDERLICH  
 PRESSE-ETOUPE DE CABLE NECESSAIRE POUR PROTECTION CONTRE L'EAU  
 E NECESSARIO SERRACAVO PER PROTEZIONE DALL'INGRESSO DI ACQUA

CODE OF LENGTH LAENGCODIERUNG CODE DE LA LONGUEUR CODICE DEL LUNGHEZZA	
PART NO TEILE NR. NO DE PIECE CODICE	449 711 □□□ 0
EXAMPLE BEISPIEL EXEMPLE ESEMPIO	L = 2m 449 711 020 0
MIN/MAX LENGTH MIN/MAX LAENGE MIN/MAX LONGUEUR MIN/MAX LUNGHEZZA	L <sub>min</sub> = 0.1m L <sub>max</sub> = 20m
TOLERANCES TOLERANZEN TOLERANCES TOLERANZA	L < 10m ±0.050m L > 10m ±0.075m

RESISTANT TO  
 BESTAENDIG GEGEN  
 RESISTANT A  
 RESISTENTE A } AIR, WATER, MINERAL OIL, PETROL, DIESELOIL, SALTSpray  
 LUFT, WASSER, MINERALOEL, BENZIN, DIESELOEL, SALZSPRUEHNEL  
 AIR, EAU, HUILE MINERALE, ESSENCE, GASOIL, BROUILLARD SALIN  
 ARIA, AQUA, OLIO MINERALE, BENZINA, GASOLIO, NEBBIA SALINA

FURTHER TECHNICAL DATA SEE PRODUCT SPECIFICATION  
 WEITERE TECHNISCHE DATEN SIEHE PRODUKT SPEZIFIKATION  
 POUR AUTRES DONNEES TECHNIQUES VOIR PRODUCT SPECIFICATION  
 PER ULTERIORI DATI TECNICI VEDERE SPECIFICA DI PRODOTTO } 894 590 010 2

DEGREE OF PROTECTION (IN CONNECTION WITH SOCKET)  
 SCHUTZART (IN VERBINDUNG MIT KUPPLUNGSDOSE)  
 DEGRE DE PROTECTION (DANS CONNECTION AVEC SOCLE)  
 GRADO DI PROTEZIONE (IN RELAZIONE CON CONNETTORE) } IP 68/69K  
 ISO 20653

① DIMENSION DIVERGENCES AND MISSING ISOLATION LEFTOVERS  
 AS A RESULT OF TRANSPORT AND HANDLING ARE ALLOWED  
 MASSABWEICHUNGEN UND FEHLLENDE ISOLATIONSRESTE INFOLGE  
 VON HANDHABE UND TRANSPORT SIND ZULAESSIG

② WIRE OUTSIDE DIAMETER  
 EINZELADERN AUSSENDURCHMESSER  
 CÂBLE DIAMETRE EXTÉRIEUR  
 FILO DIAMETRO ESTERNO }  $\phi 1.9 \pm 0.2$

General Specification: JED-334-1, Size ISO 14405 LP		Copyright WABCO®		<b>WABCO</b>	
Further Technical Data:		Date	Signature	Date of first issue:	
Doc. Code:	Sheet:	2020-12-15	Selkowicz	Doc.Code	Language
General Tolerances JED-261		Checked	Drosner	053	ML
Range of Nominal Dimensions ( ± mm)		Expert		1/1	
Class 1)	≤ 50	> 50 ≤ 180	> 180 ≤ 400	> 400	
Fine	X	0.5	1.0	1.5	2.0
Medium		1.0	2.0	3.0	4.0
Coarse		2.0	3.5	5.0	6.5
Tapped Holes acc. ISO 4039 JED-152		Mass	Scale	Material No.	
1) Tolerance Class Applied Crossmarked		1/ KG	1:1	449 711 000 0	
		Size	CAD System	ECN-No.	
		A 2	CREO	505605	
		Revision		Techn. Resp.	
		3x		C	
		Replacement for		6390_EM	
		449 711 000 0/95-08-10			

Non e permesso copiare, o terzi o riprodurre questo documento, ne utilizzare il contenuto o renderlo comunque noto a terzi senza autorizzazione esplicita. Ogni infrazione costituisce un evidente abuso e comportera il risarcimento dei danni subiti. E' fatta riserva di tutti i diritti derivanti da brevetti o modelli.

Tout e permis de copier, ou tiers, ou reproduire ce document, ne utiliser son contenu, ou le rendre connu, sans autorisation expresse. Toute infraction constitue un abus evident et entraînera le paiement des dommages et intérêts. Toute réserve de tous droits dérivant de brevets et de modèles.

Copyright of this document and giving it to others and the use or communication of the contents thereof, are forbidden without express authority. Copying of this document will constitute an evident abuse and result in a liability to the payment of damages. All rights are reserved in the event of the grant of patent or registration of a utility model or design. This document is the subject of copyright.

Wiederholung dieses Urteiles, Verfertigung und Mitteilung desselben nicht gestattet, soweit nicht ausdrücklich ausgeschrieben, zu wiederholenden stellen eines offentlichen Mitteilungs. Alle Rechte hier den Fall der Patentierung oder Gebrauchsmuster-Eintragung vorbehalten.