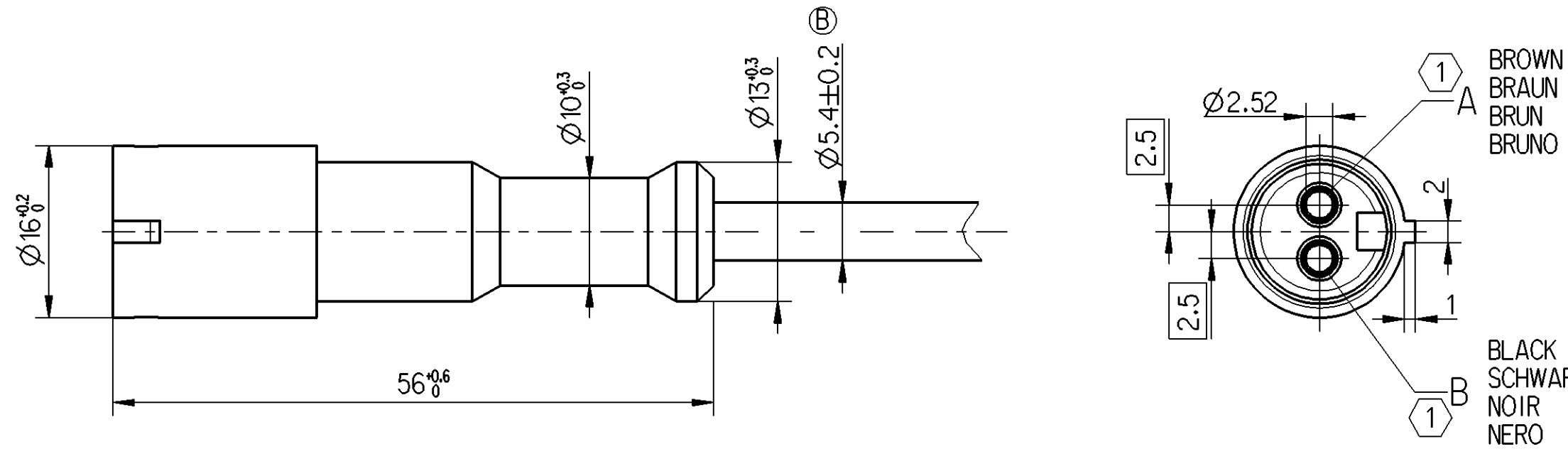


A
B



| | |
|---|--|
| CODE OF LENGTH LAENGCODIERUNG CODE DE LA LONGUEUR CODICE DEL LUNGHEZZA | |
| PART NO TEILE NR. NO DE PIECE CODICE | 449 714 <input type="checkbox"/> <input type="checkbox"/> <input type="checkbox"/> 0 |
| EXAMPLE BEISPIEL ESEMPIO | L = 10_m 449 714 100 0 |
| MIN/MAX LENGTH MIN/MAX LAENGE MIN/MAX LONGUEUR MIN/MAX LUNGHEZZA | L _{min} = 0.1m L _{max} = 20m |
| TOLERANCES TOLERANZEN TOLERANCES TOLERANZA | L ≤ 10m ±0.050m L > 10m ±0.075m |

INSTALLATION INSTRUCTIONS TO BE OBSERVED
INSTALLATIONSHINWEIS BEACHTEN
INDICATION POUR L'INSTALLATION À OBSERVER
OSSERVARE INDICAZIONE DI MONTAGGIO

449 000 000 0
(DOC.CODE 611)

CABLE SEAL AGAINST INGRESS WATER REQUIRED
KABELDICHTUNG GEGEN EINDRINGEN VON WASSER ERFORDERLICH
PRESSE-ETOUPE DE CABLE NECESSAIRE POUR PROTECTION CONTRE L'EAU
E NECESSARIO SERRACAVO PER PROTEZIONE DALL'INGRESSO DI ACQUA

DATE OF MANUFACTURE
HERSTELLDATUM
DATE DE FABRICATION
DATA DI FABBRICAZIONE

① SURFACE PROTECTION
OBERFLAECHENSCHUTZ
PROTECTION DE SURFACE
PROTEZIONE SUPERFICI

Ag

TWO CORE CABLE
LEITUNG ZWEIADRIG
CABLE A DEUX CONDUCTEURS
CAVO A DUE CONDUTORI

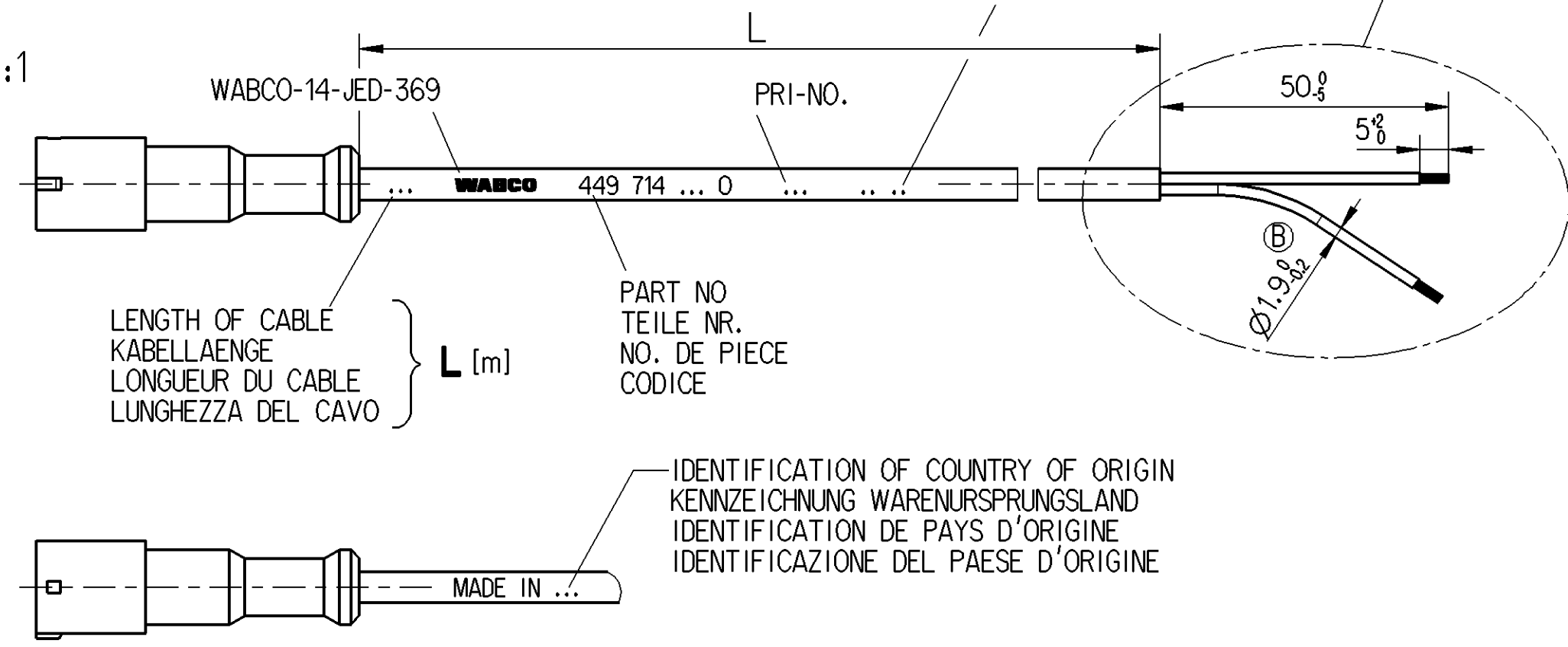
PUR

2x0.75mm²

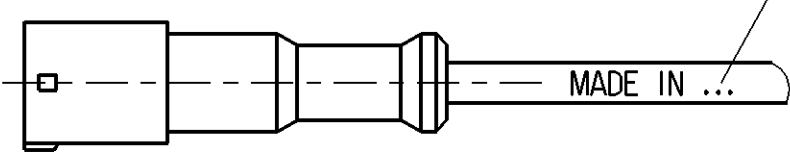
THERMAL RANGE OF APPLICATION
THERMISCHER ANWENDUNGSBEREICH
GAMME D'APPLICATION THERMIQUE
CAMPO TERMICO D'APPLICAZIONE

-40°C...+80°C

1:1



IDENTIFICATION OF COUNTRY OF ORIGIN
KENNZEICHNUNG WARENURSPRUNGSLAND
IDENTIFICATION DE PAYS D'ORIGINE
IDENTIFICAZIONE DEL PAESE D'ORIGINE



RESISTANT TO
BESTAENDIG GEGEN
RESISTANT A
RESISTENTE A

AIR, WATER, MINERAL OIL, PETROL, DIESELOIL, SALTSpray
LUFT, WASSER, MINERALOEL, BENZIN, DIESELOEL, SALZSPRUEHNABEL
AIR, EAU, HUILE MINERALE, ESSENCE, GASOIL, BROUILLARD SALIN
ARIA, AQUA, OLIO MINERALE, BENZINA, GASOLIO, NEBBIA SALINA

FURTHER TECHNICAL DATA SEE PRODUCT SPECIFICATION
WEITERE TECHNISCHE DATEN SIEHE PRODUKT SPEZIFIKATION
POUR AUTRES DONNEES TECHNIQUES VOIR PRODUCT SPECIFICATION
PER ULTERIORI DATI TECNICI VEDERE SPECIFICA DI PRODOTTO

894 590 010 2

DEGREE OF PROTECTION (IN CONNECTION WITH CONNECTOR)
SCHUTZART (IN VERBINDUNG MIT GEGENSTECKER)
DEGRE DE PROTECTION (DANS CONNECTION AVEC CONNECTEUR)
GRADO DI PROTEZIONE (IN RELAZIONE CON CONNETTORE)

IP 68/69K
ISO 20653

| | | | | | |
|--|----|------------------|------------|---------------------------------|-------|
| General Specification: JED-334-1 Size ISO 14405 LP | | Copyright WABCO® | | WABCO | |
| Further Technical Data: | | Date | | Signature | |
| Doc. Code: | | 2014-02-27 | | Hornschmacher | |
| Sheet: | | 2014-02-27 | | Hoefler | |
| To: | | Checked | | Expert | |
| General Tolerances JED-261 | | Hoefler | | Hoefler | |
| Range of Nominal Dimensions (± mm) | | Mass | | Scale | |
| Class | 1) | ≤ 50 | > 50 ≤ 180 | > 180 ≤ 400 | > 400 |
| Fine | X | 0.5 | 1.0 | 1.5 | 2.0 |
| Medium | | 1.0 | 2.0 | 3.0 | 4.0 |
| Coarse | | 2.0 | 3.5 | 5.0 | 6.5 |
| Tapped Holes acc. | | Size | | CAD System | |
| 1) Tolerance Class Applied Crossmarked | | A 2 | | Pro/E | |
| | | Material No. | | Date of first issue: 1998-02-02 | |
| | | 449 714 000 0 | | Doc.Code Language Sheet | |
| | | 163650 | | 053 ML 1/1 | |
| | | Revision | | Techn. Resp. | |
| | | 2x B | | 6390_EM | |
| | | Replacement for | | 449 714 000 0/97-03-19 | |
| | | 100mm | | | |

Non e permesso consegnare o terzi o riprodurre questo documento, ne utilizzare il contenuto o renderlo comunque noto a terzi senza permesso scritto dalla WABCO. E' vietata espressamente la ristampa o l'uso non autorizzato. Toute communication ou reproduction de ce document, toute exploitation ou communication de son contenu sont interdites, sauf autorisation expresse de la WABCO. Toute communication ou reproduction de ce document, toute exploitation ou communication de son contenu sont interdites, sauf autorisation expresse de la WABCO. E' vietata espressamente la ristampa o l'uso non autorizzato. Alle Rechte vorbehalten. Nachdruck, Vervielfaeligung, Verbreitung in irgendeiner Form, auszugsweise oder vollstaendig, ist ohne schriftliche Genehmigung der WABCO. All rights reserved. No part of this document may be reproduced, stored in a retrieval system, or transmitted in any form or by any means, electronic, mechanical, photocopying, recording, or by any information storage and retrieval system, without the prior written permission of WABCO. All rights reserved. No part of this document may be reproduced, stored in a retrieval system, or transmitted in any form or by any means, electronic, mechanical, photocopying, recording, or by any information storage and retrieval system, without the prior written permission of WABCO. All rights reserved.

A
B

C

D

E

F

G

H