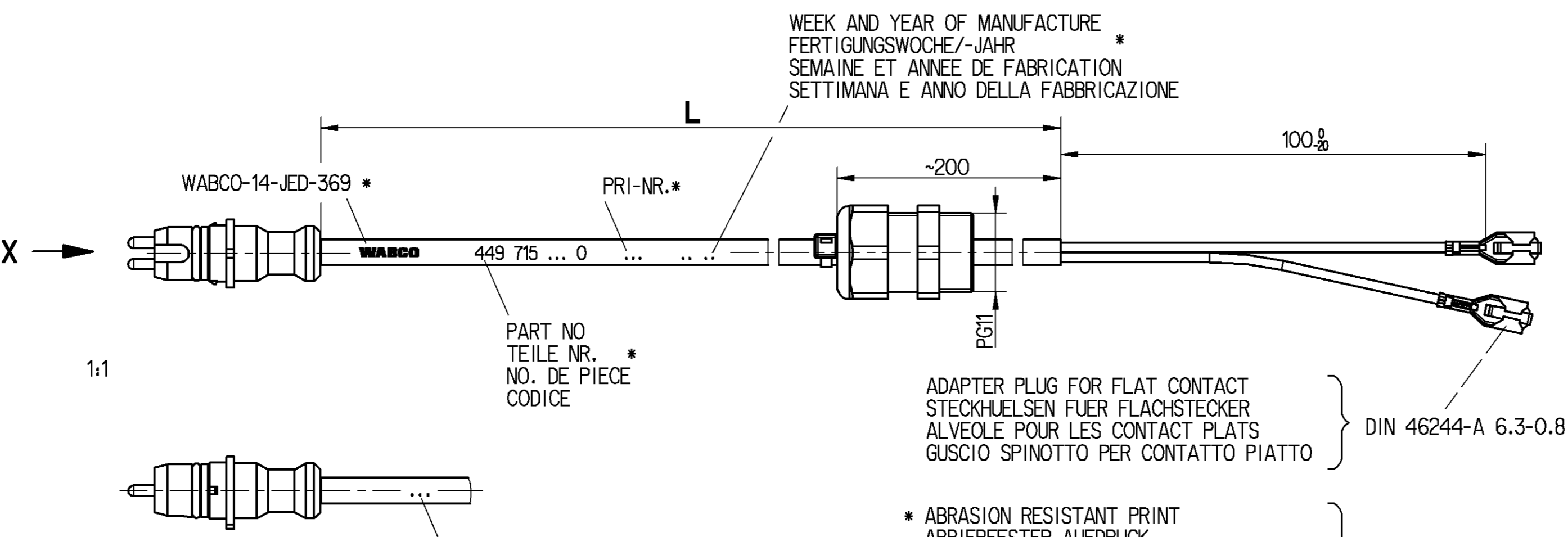


THERMAL RANGE OF APPLICATION  
THERMISCHER ANWENDUNGSBEREICH  
GAMME D'APPLICATION THERMIQUE  
CAMPO TERMICO D'APPLICAZIONE } -40°C...+80°C

TWO CORE CABLE  
LEITUNG ZWEIADRIG  
CABLE A DEUX CONDUCTEURS  
CAVO A DUE CONDUTORI } PUR  
2x0.75mm<sup>2</sup>

STRAIN RELIEF CABLE  
ZUGENTLASTUNG KABEL  
ARRET DE CABLE  
SCARICO DI TRAZIONE DEL CAVO } MAX. 50N  $\vartheta = 20^\circ\text{C}$

BEND RADIUS CABLE  
BIEGERADIUS KABEL  
RAYON DE COURBURE DU CABLE  
RAGGIO DI CURVATURA DEL CAVO } R 15 MIN,  $\angle 90^\circ$



WEEK AND YEAR OF MANUFACTURE  
FERTIGUNGSWOCHE/-JAHR \*  
SEMAINE ET ANNEE DE FABRICATION  
SETTIMANA E ANNO DELLA FABBRICAZIONE

PART NO  
TEILE NR. \*  
NO. DE PIECE  
CODICE

ADAPTER PLUG FOR FLAT CONTACT  
STECKHUELSEN FUER FLACHSTECKER  
ALVEOLE POUR LES CONTACT PLATS  
GUSCIO SPINOTTO PER CONTATTO PIATTO } DIN 46244-A 6.3-0.8

\* ABRASION RESISTANT PRINT  
ABRIEBFESTER AUFDRUCK  
IMPRESSION RESISTANCE A L' ABRASION  
IMPRONTA RESISTENTE ALL' ABRASIONE } RAL 9001

LENGTH OF CABLE  
KABELLAENGE  
LONGUEUR DU CABLE  
LUNGHEZZA DEL CAVO } L [m] \*

CODE OF LENGTH LAENGENCODIERUNG CODE DE LA LONGUEUR CODICE DEL LUNGHEZZA	
PART NO TEILE NR. NO DE PIECE CODICE	449 715 □ □ □ 0 L[m]
EXAMPLE BEISPIEL ESEMPIO	L = 2m 449 715 Q2Q 0
MIN/MAX LENGTH MIN/MAX LAENGE MIN/MAX LONGUEUR MIN/MAX LUNGHEZZA	L <sub>min</sub> = 0.1m L <sub>max</sub> = 20m
TOLERANCES TOLERANZEN TOLERANZEN TOLERANZA	L < 10m ±0.050m L > 10m ±0.075m

RESISTANT TO  
BESTAENDIG GEGEN  
RESISTANT A  
RESISTENTE A } AIR, WATER, MINERAL OIL, PETROL, DIESELOIL, SALTSpray  
LUFT, WASSER, MINERALOEL, BENZIN, DIESELOEL, SALZSPRUEHNebel  
AIR, EAU, HUILE MINERALE, ESSENCE, GASOIL, BROUILLARD SALIN  
ARIA, AQUA, OLIO MINERALE, BENZINA, GASOLIO, NEBBIA SALINA

FURTHER TECHNICAL DATA SEE PRODUCT SPECIFICATION  
WEITERE TECHNISCHE DATEN SIEHE PRODUKT SPEZIFIKATION  
POUR AUTRES DONNEES TECHNIQUES VOIR PRODUCT SPECIFICATION  
PER ULTERIORI DATI TECNICI VEDERE SPECIFICA DI PRODOTTO } 894 590 010 2

DEGREE OF PROTECTION (IN CONNECTION WITH PLUG)  
SCHUTZART (IN VERBINDUNG MIT KUPPLUNGSSTECKER)  
DEGRE DE PROTECTION (DANS CONNECTION AVEC FICHE)  
GRADO DI PROTEZIONE (IN RELAZIONE CON SPINOTTO) } IP 68/69K  
EN 60529/IEC 529

GENERAL SPECIFICATION: JED-334.0		Pro/ENGINEER DRAWING COPYRIGHT		<b>WABCO</b>	
FURTHER TECHNICAL DATA:		DATE SIGNATURE		DRAWN	
DOC. CODE: SHEET: TO		98-10-13		HARVISCHM.	
GENERAL TOLERANCES		98-10-13		HOEFLER	
RANGE OF NOMINAL DIMENSIONS ( ± mm )		EXPERT CODE		7 6 0	
CLASS	1) ≤ 50	> 50	> 180	PRODUCT IDENTIFICATION NO.	
FINE	0.5	1.0	1.5	449 715 000 0	
MEDIUM	1.0	2.0	3.0	DOC. CODE SHEET	
COARSE	2.0	3.5	5.0	653 1/1	
TAPPED HOLES ACC. ISO 4039 / JED-152		DCN-NO. REV. DATE		REPLACEMENT FOR	
1) TOLERANCE CLASS APPLIED CROSSMARKED		A 2 141		894 590 050 2	

NON E' PERMESSO CONSERVARE A TERZI O RIPRODURRE QUESTO DOCUMENTO, NE UTILIZZARE IL CONTENUTO O RENDERSI RESPONSABILI PER QUALSIASI DANNI, PERDITE O COSTI, IN TUTTI I CASI, DERIVANTI DA UN'USO NON AUTORIZZATO. IL DIRITTO DI QUESTO DOCUMENTO E' RISERVATO A WABCO. TUTTI I DIRITTI RISERVATI DA BREVETTI O MODELLI.  
 COPIING OF THIS DOCUMENT AND GIVING IT TO OTHERS AND THE USE OR COMMUNICATION OF THE CONTENTS THEREOF, WITHOUT THE WRITTEN PERMISSION OF WABCO, IS PROHIBITED. WABCO ACCEPTS NO LIABILITY FOR ANY DAMAGES, LOSSES OR COSTS, IN THE EVENT OF THE ABUSE AND RESULT IN A LIABILITY TO THE PAYMENT OF DAMAGES. ALL RIGHTS ARE RESERVED IN THE EVENT OF THE GRANT OF PATENT OR REGISTRATION OF A UTILITY MODEL OR DESIGN. THIS DOCUMENT IS THE SUBJECT OF COPYRIGHT.

TOUTE COMMUNICATION OU REPRODUCTION DE CE DOCUMENT, TOUTE EXPLOITATION DE COMMUNICATION DE SON CONTENU, EN TOUT ETAT ET EN TOUT CAS, SANS LA PERMISSION ECRITE DE WABCO, EST PROHIBEE. WABCO NE SAIT RIEN RESPONSABLEMENT POUR QUALSIQUINS DANNES, PERTES OU COUITS, EN TOUT CAS, DERIVANT D'UN USAGE NON AUTORISE. LE DROIT DE CE DOCUMENT EST RESERVE A WABCO. TOUS DROITS DE PROPRIETE INDUSTRIELLE RESERVES, NOTAMMENT EN MATIERE DE BREVETS ET DE MODELES.  
 WELTEREABE SOEWIE VEREUELFALTIUNG DIESER UNTERLAGE, VERBREITUNG UND MITTEILUNG IHRES INHALTS NICHT OHNE SCHRIFTLICHE ZUEHILLENAHME VON WABCO ZUELASSEN. WABCO ANNEHMT KEINE VERANTWORTUNG FUEER ABWISCHUNG, VERLUST ODER KOSTEN, IN FOLGE VON UNBESCHUELTEN NUTZUNG VON DIESEM DOKUMENT. ALLE RECHTE FUER DEN FALL DER PATENTIERUNG ODER GEBRAUCHSMUSTER-ENTWURF VORBEHALTEN.