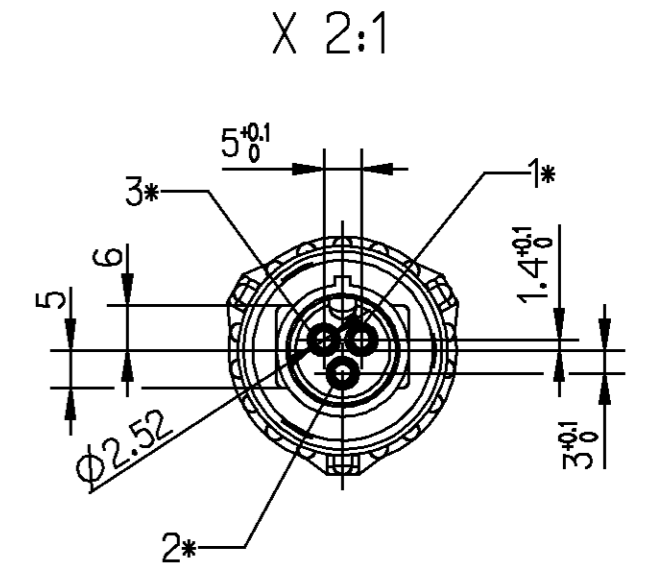
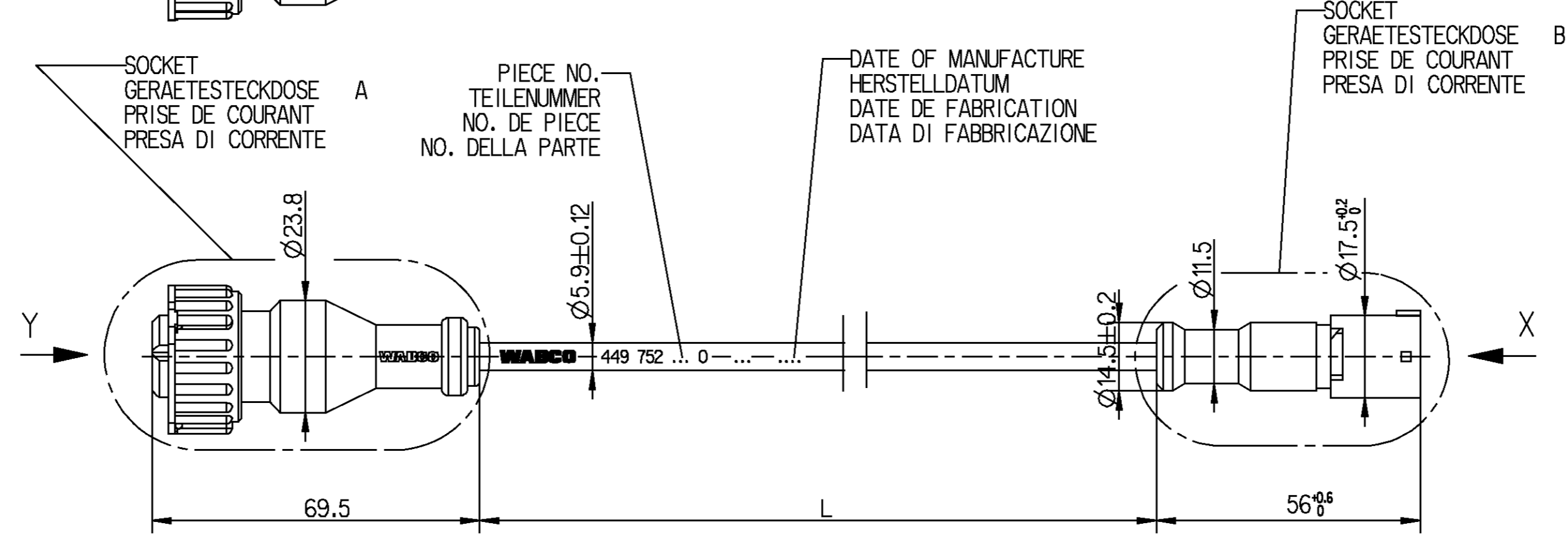
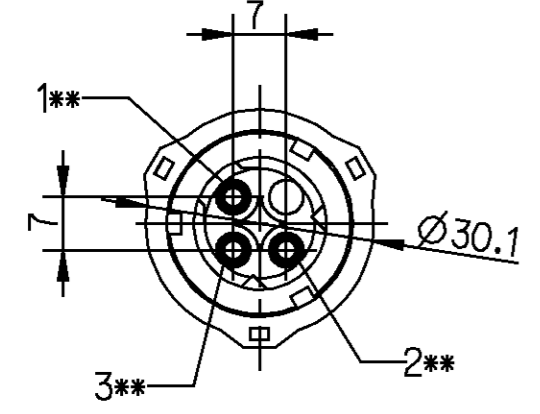


Y 2:1  
CODE  
CODIERUNG DIN 72585-B1-3.1-Sn/K1  
CODE  
CODICE



SURFACE PROTECTION :  
OBERFLAECHENSCHUTZ : \* Ag  
PROTECTION DE SURFACE: \*\* Sn  
PROTEZIONE SUPERFICI :

3-CORE CABLE PUR  
LEITUNG 3-ADRIG 3x0.5mm<sup>2</sup>  
CABLE A 3 CONDUCTEURS  
CAVO A 3 CONDUTTORI

RESISTANT TO : AIR, WATER, MINERAL OIL, PETROL, DIESEL OIL, SALT SPRAY  
BESTAENDIG GEGEN: LUFT, WASSER, MINERALOEL, BENZIN, DIESEL OEL, SALZSPRUEHNEBEL  
RESISTANT A : AIR, EAU, HUILE MINERALE, ESSENCE, GASOIL, BROUILLARD SALIN  
RESISTENTE A : ARIA, AQUA, OLIO MINERALE, BENZINA, GASOLIO, NEBBIA SALINA

THERMAL RANGE OF APPLICATION :  
THERMISCHER ANWENDUNGSBEREICH: -40°C...+80°C  
GAMME D'APPLICATION THERMIQUE:  
CAMPO TERMICO D'APPLICAZIONE :

DEGREE OF PROTECTION (IN CONNECTION WITH PLUG) :  
SCHUTZART (IN VERBINDUNG MIT STECKER) : A: IP 6K 7/IP 6K 9K  
DEGRE DE PROTECTION (DANS CONNECTION AVEC FICHE): B: IP 68 (IEC 529)  
GRADO DI PROTEZIONE (IN RELAZIONE CON SPINA) :

CODE OF LENGTH LAENGCODIERUNG CODE DE LA LONGUEUR CODICE DEL LUNGHEZZA	
PART NO TEILE NR. NO. DE PIECE CODICE	449 752 $\square \square, \square 0$ L[m]
EXAMPLE BEISPIEL EXEMPLE ESEMPIO	L = 2_m 449 752 Q20 0
MIN/MAX LENGTH MIN/MAX LAENGE MIN/MAX LONGUEUR MIN/MAX LUNGHEZZA	L <sub>min</sub> = 0.1m L <sub>max</sub> = 20m
TOLERANCES TOLERANZEN TOLERANCES TOLERANZA	L < 10m $\pm 0.050m$ L > 10m $\pm 0.075m$

GENERAL SPECIFICATION: JED-334.0		Pro/ENGINEER DRAWING		<b>WABCO</b>	
FURTHER TECHNICAL DATA:		COPYRIGHT		DATE SIGNATURE	
DOC. CODE: SHEET: TO		DRAWN		30-Apr-97   Weber	
GENERAL TOLERANCES		CHECKED		97-07-15   Hein	
RANGE OF NOMINAL DIMENSIONS (± mm)		EXPERT CODE		7 5 5	
CLASS	1) ≤ 50 > 50 > 180	MASS	SCALE	PRODUCT IDENTIFICATION NO.	
FINE	0.5 1.0 1.5 2.0	KG	1:1	449 752 000 0	
MEDIUM	1.0 2.0 3.0 4.0	SIZE	TRI	DOC. CODE SHEET	
COARSE	2.0 3.5 5.0 6.5	A 2	142	653 1/1	
TAPPED HOLES ACC. ISO 4039 / JED-152		A) 062792 1x 97-10-17		FUNCTION CODE SHAPE CODE PRODUCT TYPE	
1) TOLERANCE CLASS APPLIED CROSSMARKED		DCN-NO. REV. DATE		0 I X	
		REPLACEMENT FOR			

NON LE FERMESO CONSERVARE A TEZZE O RIPRODURRE QUESTO DOCUMENTO; NE UTILIZZARE IL CONTENUTO O REI-  
 ARSIO E CONSERVARE A TEZZE O RIPRODURRE QUESTO DOCUMENTO; NE UTILIZZARE IL CONTENUTO O REI-  
 BRETIETLI O MODELLI.  
 COPIING OF THIS DOCUMENT AND OTHERS, IN WHOLE OR IN PART, IS PROHIBITED WITHOUT THE WRITTEN CONSENT OF THE  
 AUTHOR. ANY UNLAWFUL REPRODUCTION OR TRANSMISSION OF THIS DOCUMENT IS PROHIBITED.  
 ABRE AND RESULT IN A LIABILITY TO THE PATENT OF DAMAGES. ALL RIGHTS ARE RESERVED IN THE EVENT OF THE  
 GRANT OF PATENT OR REGISTRATION OR REGISTRATION OF A UTILITY MODEL OR DESIGN. THIS DOCUMENT IS THE SUBJECT OF COPYRIGHT.

TOUTE COMMUNICATION OU REPRODUCTION DE CE DOCUMENT, TOUTE EXPLOITATION OU COMMUNICATION DE SON CONTE-  
 NUT EN WHOLE OR IN PART, IS PROHIBITED WITHOUT THE WRITTEN CONSENT OF THE AUTHOR. ANY UNLAWFUL  
 REPRODUCTION OR TRANSMISSION OF THIS DOCUMENT IS PROHIBITED.  
 WEITEREAUE SOWIE VERLEAFELTIGUNG DIESER UNTERLAGE, VERBREITUNG UND MITTELLUNG IHRER INHALTE NICHT  
 MISSBRÄUCHLICH NACH UND VERPFLICHTET ZU SCHARFENRATZ. ALLE RECHTE FÜR DEN FALLEN DER PATENTSTELLUNG ODER  
 GEBRAUCHSMUSTER-ENTWÄRFG VORBEHALTEN.

D.W.: 4497520000-653

D.W.: 4497520000-A02 A.1