

FUNCTION ACCORDING TO CUSTOMER:

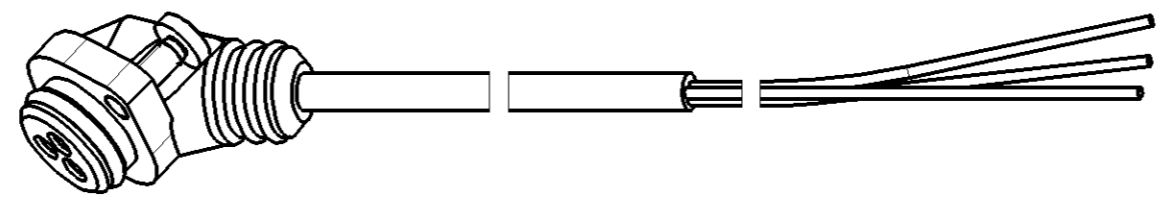
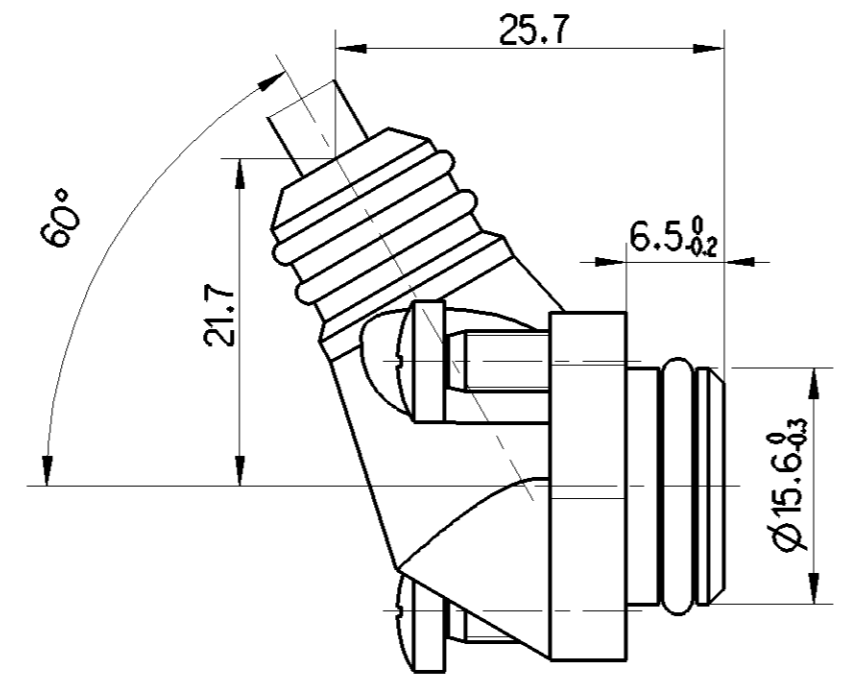
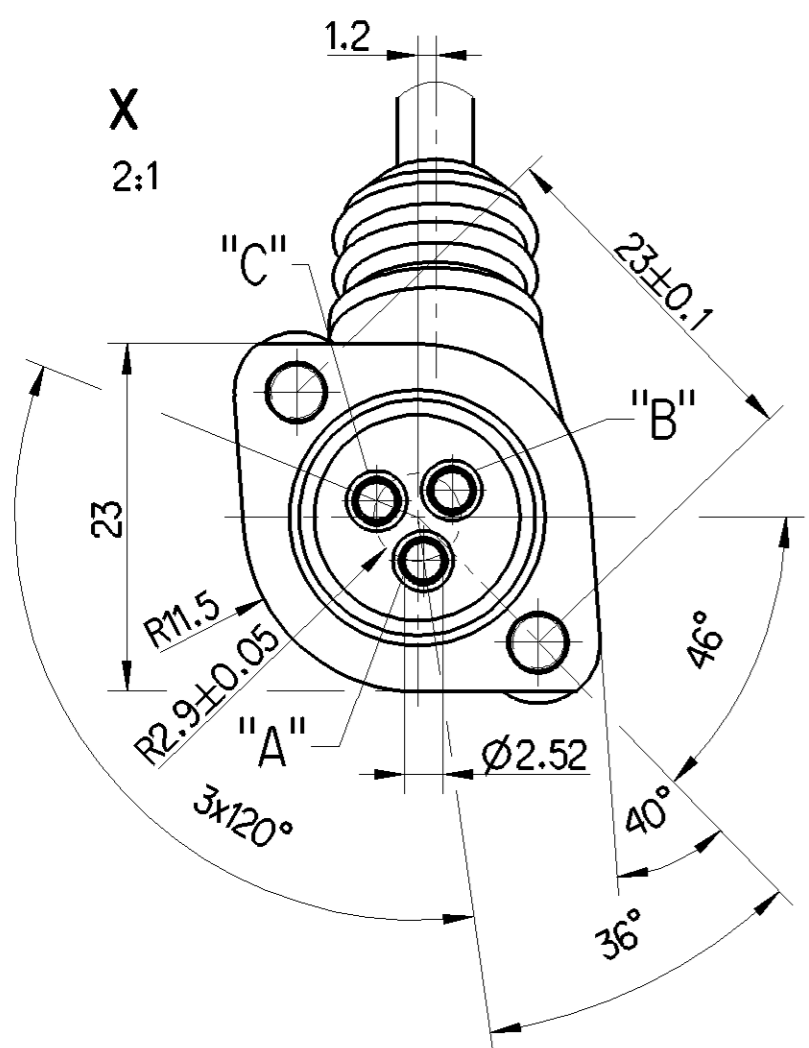
MAN SPECIFIC	STANDARD SPECIFIC
POWER SUPPLY VERSORGUNG ALIMENTATION ALIMENTAZIONE	SIGNAL SIGNAL SIGNAL SEGNALE
SIGNAL SIGNAL SIGNAL SEGNALE	POWER SUPPLY VERSORGUNG ALIMENTATION ALIMENTAZIONE
GROUND MASSE MASSE MASSA	GROUND MASSE MASSE MASSA

THERMAL RANGE OF APPLICATION
THERMISCHER ANWENDUNGSBEREICH
GAMME D'APPLICATION THERMIQUE
CAMPO TERMICO D'APPLICAZIONE } -40°C...+80°C

THREE CORE CABLE
LEITUNG DREIADRIG
CABLE A TROIS CONDUCTEURS
CAVO A TRE CONDUTORI } PUR FR (SFC-FR) ^E
3x0.5mm²

STRAIN RELIEF CABLE
ZUGENTLASTUNG KABEL
ARRET DE CABLE
SCARICO DI TRAZIONE DEL CAVO } MAX. 50N @ =20°C

BEND RADIUS CABLE
BIEGERADIUS KABEL
RAYON DE COURBURE DU CABLE
RAGGIO DI CURVATURA DEL CAVO } R 25 MIN, α 90°

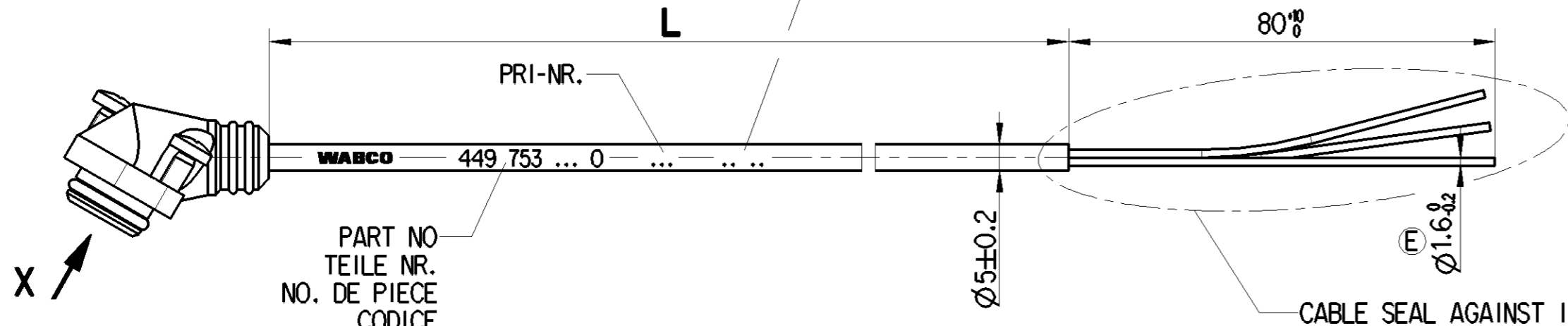


"A" BLACK
SCHWARZ
NOIR
NERO

"B" YELLOW
GELB
JAUNE
GIALLO

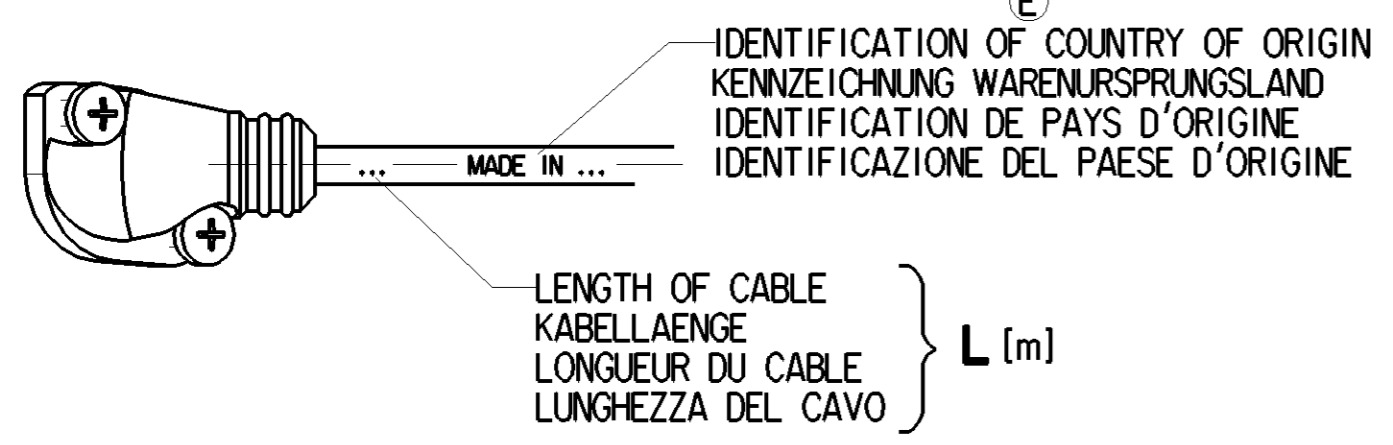
"C" BROWN
BRAUN
BRUN
BRUNO

^E WEEK/YEAR OF MANUFACTURE
FERTIGUNGSWOCHE/-JAHR
SEMAINE/ANNEE DE FABRICATION
SETTIMANA/ANNO DELLA FABBRICAZIONE



^E CABLE SEAL AGAINST INGRESS WATER REQUIRED
KABELDICHTUNG GEGEN EINDRINGEN VON WASSER ERFORDERLICH
PRESSE-ETOUPE DE CABLE NECESSAIRE POUR PROTECTION CONTRE L'EAU
E NECESSARIO SERRACAVO PER PROTEZIONE DALL'INGRESSO DI ACQUA

CODE OF LENGTH LAENGENCODIERUNG CODE DE LA LONGUEUR CODICE DEL LUNGHEZZA	
PART NO TEILE NR. NO DE PIECE CODICE	449 753 □ □ □ 0
EXAMPLE BEISPIEL EXEMPLE ESEMPIO	L = _2_m 449 753 Q20 0
MIN/MAX LENGTH MIN/MAX LAENGE MIN/MAX LONGUEUR MIN/MAX LUNGHEZZA	L _{min} = 0.1m L _{max} = 20m
TOLERANCES TOLERANZEN TOLERANCES TOLERANZA	L < 10m ±0.050m L > 10m ±0.075m



- ^E CABLE COMPLY WITH UN/ECE R118
- INSTALLATION INSTRUCTIONS TO BE OBSERVED
INSTALLATIONSHINWEIS BEACHTEN
INDICATION POUR L'INSTALLATION A OBSERVER
OSSERVARE INDICAZIONE DI MONTAGGIO } 449 000 000 0 (DOC.CODE 011)
- RESISTANT TO BESTAENDIG GEGEN
RESISTANT A RESISTENTE A } AIR, WATER, MINERAL OIL, PETROL, DIESELOIL, SALTSPRAY
LUFT, WASSER, MINERALOEL, BENZIN, DIESELOEL, SALZSPRUEHNEBEL
AIR, EAU, HUILE MINERALE, ESSENCE, GASOIL, BROUILLARD SALIN
ARIA, AQUA, OLIO MINERALE, BENZINA, GASOLIO, NEBBIA SALINA
- DEGREE OF PROTECTION (IN CONNECTION WITH CONNECTOR)
SCHUTZART (IN VERBINDUNG MIT KUPPLUNG)
DEGRE DE PROTECTION (DANS CONNECTION AVEC CONNECTEUR)
GRADO DI PROTEZIONE (IN COLLAGAMENTO CON CONNETTORE) } IP 68/69K
ISO 20653

General Specification: JED-334-1, Size ISO 14405 LP		Copyright WABCO®		WABCO	
Further Technical Data:		Date	Signature		
Doc. Code	Sheet	To	Drawn		
General Tolerances JED-261		2021-05-20	Osinski	SENSOR CABLE BV-SENSORKABEL CABLE DU CAPTEUR CAVO DEL SENSORE	
Range of Nominal Dimensions (± mm)		2021-05-26	Grychowicz		
Class	1)	≤ 50	> 50 ≤ 180	> 180 ≤ 400	> 400
Fine		0.5	1.0	1.5	2.0
Medium		1.0	2.0	3.0	4.0
Coarse	X	2.0	3.5	5.0	6.5
Tapped Holes acc.		Scale		Material No.	
1) Tolerance Class Applied Crossmarked		/ kg 1:1 2:1		449 753 000 0	
		Size CAD System		Date of first issue:	
		A 2 CREO		Doc.Code Language Sheet	
		ECN-No. Revision Techn. Resp.		053 ML 1/1	
		506833 8x E 6930_WH		Replacement for	

Non e permesso copiare, o terzi o riprodurre questo documento, ne utilizzare il contenuto o renderlo comunque noto a terzi senza autorizzazione esplicita. Ogni infrazione costituisce un evidente abuso e comportera il risarcimento dei danni subiti. E' fatta riserva di tutti i diritti derivanti da brevetti o modelli.
 Coping of this document and giving it to others and the use or communication of the contents thereof, are forbidden without express authority. Contravention of this restriction will constitute an evident abuse and result in a liability to the payment of damages. All rights are reserved in the event of the grant of patent or registration of a utility model or design. This document is the subject of copyright.
 Toute communication ou reproduction de ce document, toute exploitation ou communication de son contenu sont interdites, sauf autorisation expresse. Tout manquement a cette regle constitue un abus evident et expose son auteur au versement de dommages et interets. Tous droits de propriete industrielle reserves, notamment en matiere de brevets et de modesles.
 Weitergabe sowie Vervielfaltigung dieser Unterlagen, Verwertung und Mitteilung ihres Inhalts nicht gestattet, soweit nicht ausdrücklich angedeutet. Zuwiderhandlungen stellen einen offensichtlichen Missbrauch dar und verpflichten zu Schadensersatz. Alle Rechte hier den Fall der Patenterteilung oder Gebrauchsmuster-Eintragung vorbehalten.