

INSTALLATION INSTRUCTIONS FOR CABLES TO BE OBSERVED. SEE DOCUMENT:
 EINBAUINWEISE FUER KABEL SIND ZU BEACHTEN. SIEHE DOKUMENT: 449 000 000 0 / 011
 IL FAUT OBSERVER LES INDICATIONS POUR L'INSTALLATION DES CABLES. VOIR DOCUMENT:
 SONO DA OSSERVARE GLI INDICAZIONI DI MONTAGGIO DEI CAVI. VEDERE DOCUMENTO:

MOUNTED CABLE RESISTANT TO: AIR, WATER, MINERAL OIL, DIESELOIL, SALTSpray
 MONTIERTES KABEL BESTAENDIG GEGEN: LUFT, WASSER, MINERALOEL, DIESELOEL, SALZSPRUEHNEBEL
 CABLE MONTE RESISTANT A: AIR, EAU, HUILE MINERALE, GASOIL, BROUILLARD SALIN
 CAVO MONTATO RESISTENTE A: ARIA, AQUA, OLIO MINERALE, GASOLIO, NEBBIA SALINA

DEGREE OF PROTECTION (IN CONNECTION WITH SOCKET): A: IP 6K9K
 SCHUTZART (IN VERBINDUNG MIT GERAETESTECKDOSE): B: IP 6K6K, IP 6K9K
 DEGRE DE PROTECTION (DANS CONNECTION AVEC PRISE DE COURANT): ISO 20653
 GRADO DI PROTEZIONE (IN RELAZIONE CON PRESA DI CORRENTE):

1 ABRASION RESISTANT PRINT, WHITE (RAL9001)
 ABRIEBFESTER AUFDRUCK, WEISS (RAL9001)
 IMPRESSION RESISTANTE A L' ABRASION, BLANC (RAL9001)
 IMPRONTA RESISTENTE ALL' ABRASIONE, BIANCO (RAL9001)

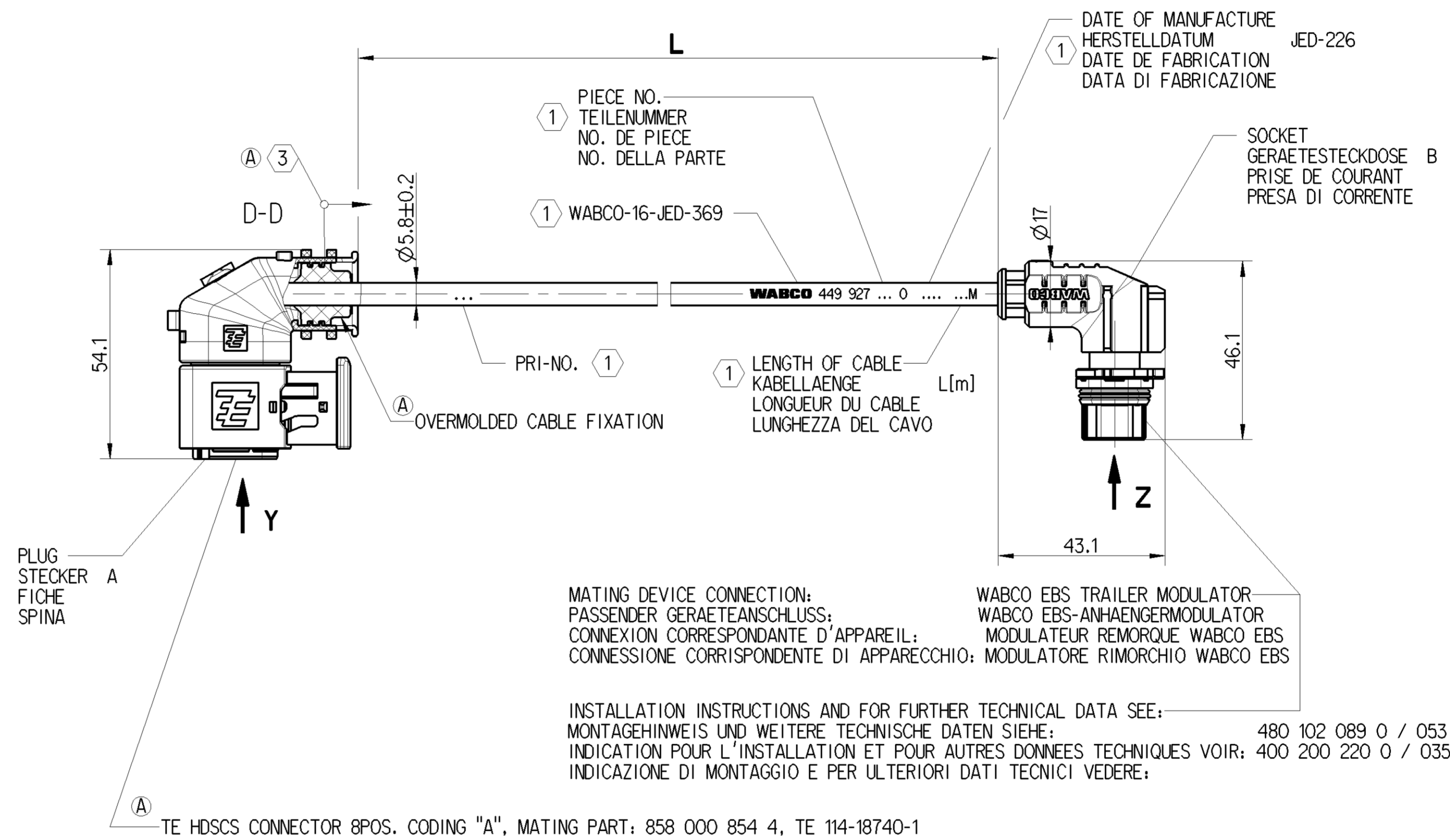
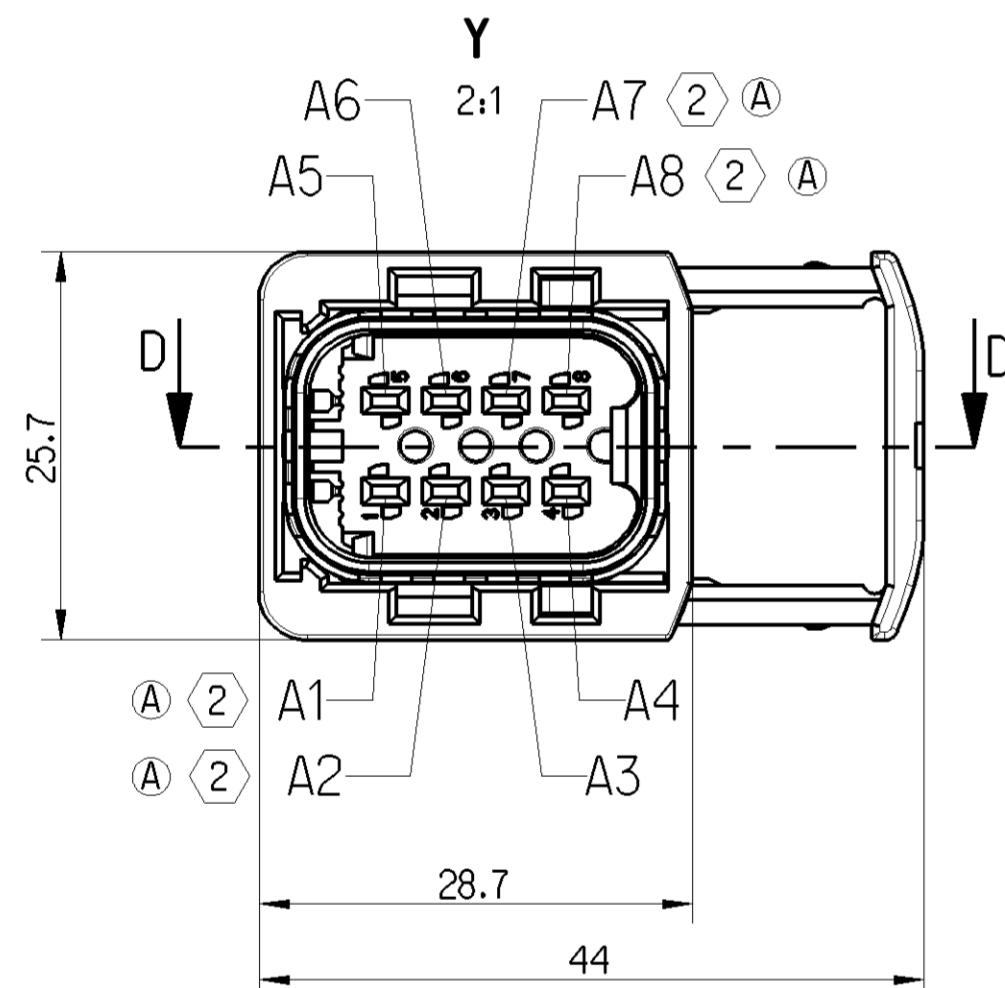
THERMAL RANGE OF APPLICATION: -40°C ... +80°C
 THERMISCHER ANWENDUNGSBEREICH:
 GAMME D'APPLICATION THERMIQUE:
 CAMPO TERMICO D'APPLICAZIONE:

4-CORE CABLE: PUR
 KABEL 4-ADRIIG: PUR
 CABLE A 4 CONDUCTEURS: 4X0.5mm²
 CAVO A 4 CONDUTORI:

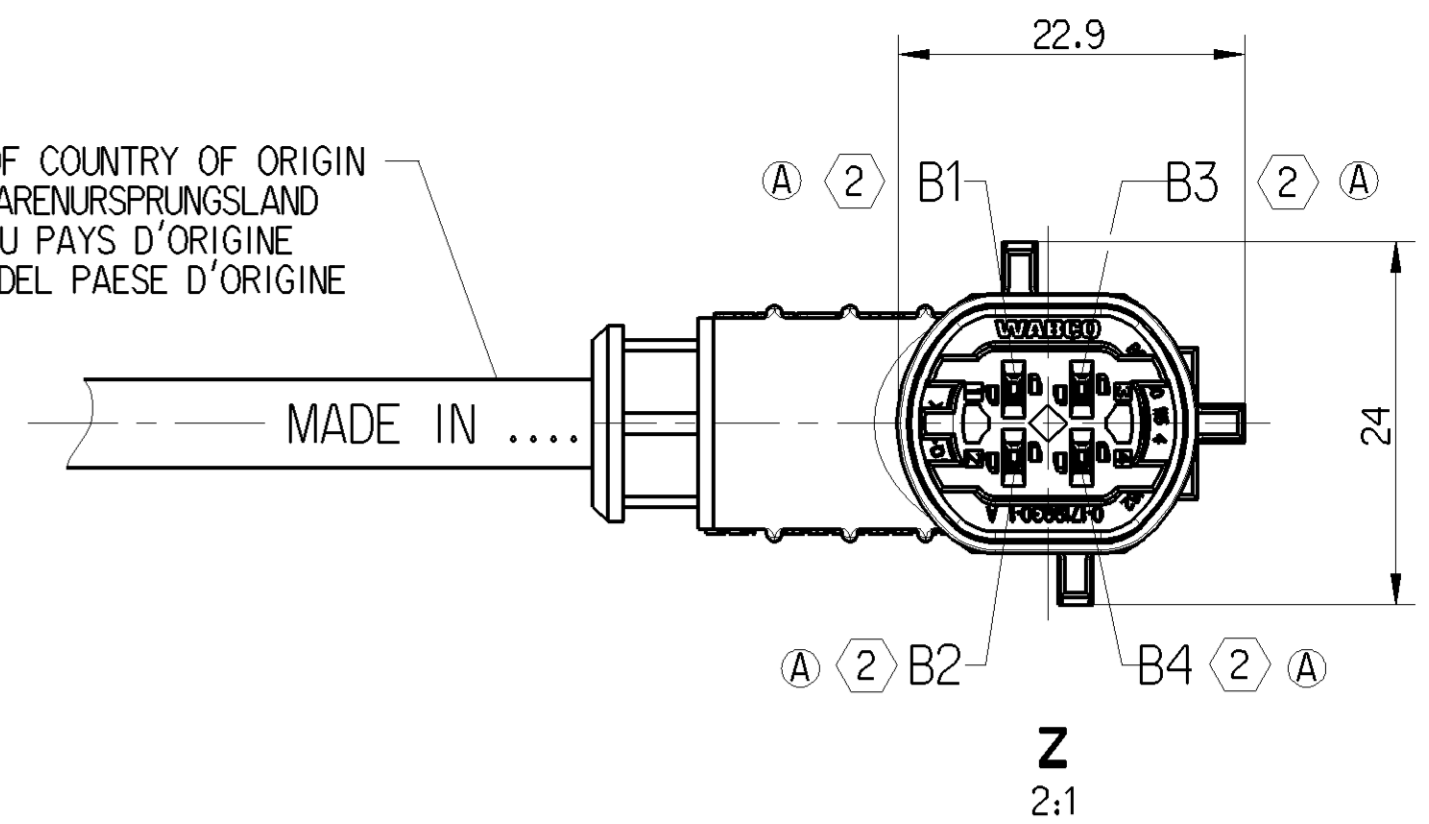
FIELD OF APPLICATION: TRAILER
 EINSATZBEREICH: ANHAENGER
 DOMAINE D'APPLICATION: REMORQUE
 CAMPO DI APPLICAZIONE: RIMORCHIO

2 SURFACE PROTECTION: Sn
 OBERFLAECHENSCHUTZ:
 PROTECTION DE SURFACE:
 PROTEZIONE SUPERFICI:

3 STRAIN RELIEF FOR CABLE: MAX. 60N

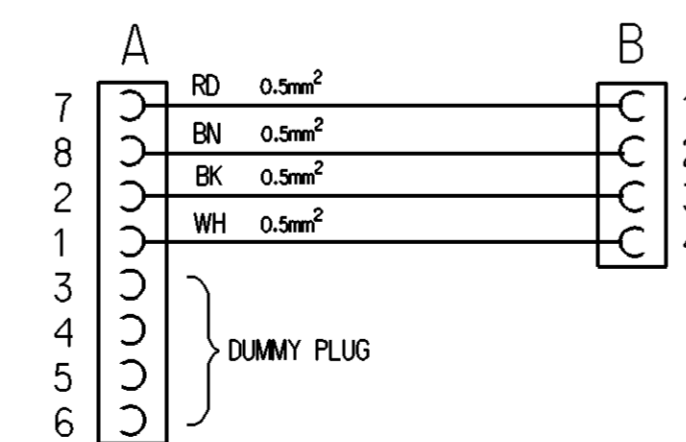


THE MANUFACTURER'S PRODUCT SPECIFICATIONS APPLY TO CONNECTORS AND CONTACTS
 FUER STECKER UND KONTAKTE GELTEN DIE PRODUKTSPEZIFIKATIONEN DER HERSTELLER
 LES SPECIFICATIONS PRODUIT DU FABRICANT SONT VALABLES POUR LES CONNECTEURS ET LES CONTACTS
 SPECIFICHE DI PRODOTTO DEL PRODUTTORE SONO VALIDE PER I CONNETTORI E CONTATTI



CHAMBER IN: KAMMER IN: A CHAMBRE EN: CAMERA IN:	CABLE KABEL CABLE CAVO	WIRE COLOUR ADER FARBE FIL COULEUR FILO COLORE	CHAMBER IN: KAMMER IN: B CHAMBRE EN: CAMERA IN:
	CROSS SECTION QUERSCHNITT SECTION DE TRANSVERSALE SEZIONE TRASVERSALE		
7	0.5mm ²	RED ROT ROUGE ROSSO	1
8	0.5mm ²	BROWN BRAUN BRUN BRUNO	2
2	0.5mm ²	BLACK SCHWARZ NOIR NERO	3
1	0.5mm ²	WHITE WEISS BLANK BIANCO	4
3	DUMMY PLUG BLINDSTOPFEN		
4	DUMMY PLUG BLINDSTOPFEN		
5	DUMMY PLUG BLINDSTOPFEN		
6	DUMMY PLUG BLINDSTOPFEN		

CODE OF LENGTH LAENGCODIERUNG CODE DE LA LONGUEUR CODICE DEL LUNGHEZZA	
PART NO TEILE NR. NO DE PIECE CODICE	449 927 □ □ □ 0
EXAMPLE BEISPIEL EXEMPLE ESEMPIO	L = 5m 449 927 050 0
MIN/MAX LENGTH MIN/MAX LAENGE MIN/MAX LONGUEUR MIN/MAX LUNGHEZZA	L _{min} = 0.2m L _{max} = 20m
TOLERANCES TOLERANZEN TOLERANCES TOLERANZA	L ≤ 10m ±0.050m L > 10m ±0.075m



4 DIN 16901-150

Further Technical Data:		Copyright WABCO®	
Doc. Code:	Sheet: To	Date:	Signature:
449 927 000 0	1	2016-07-15	Rokucki
General Tolerances JED-261		Checked:	
Range of Nominal Dimensions (± mm)		Expert:	
Class	1) ≤ 50 > 180 > 400 > 400	Overhage	
Fine	0.5 1.0 1.5 2.0	Mass	Scale
Medium	1.0 2.0 3.0 4.0 ±3°	/	1:1
Coarse	2.0 3.5 5.0 6.5	kg	2:1
Tapped Holes acc. JED-152		Size	CAD System
1) Tolerance Class Applied Crossmarked		A 1	CREO

WABCO		CABLE WITH SOCKET KABEL MIT GERAETESTECKDOSE CABLE AVEC PRISE DE COURANT CAVO CON PRESA DI CORRENTE	
Doc. Code	Language	Material No.	Date of first issue: 2016-05-19
449 927 000 0	ML	449 927 000 0	053
ECN-No. 171579	Revision 14x	Techn. Resp. A	6930-EM
Replacement for		Sheet 1/1	

Non e permesso copiare o riprodurre questo documento, ne utilizzare il contenuto o i marchi, come tali o in parte, senza permesso scritto dalla WABCO. Toute reproduction ou utilisation de ce document, sans autorisation de la WABCO, est formellement interdite. All rights reserved. No part of this document may be reproduced, stored in a retrieval system, or transmitted in any form or by any means, electronic, mechanical, photocopying, recording, or by any information storage and retrieval system, without the prior written permission of WABCO.