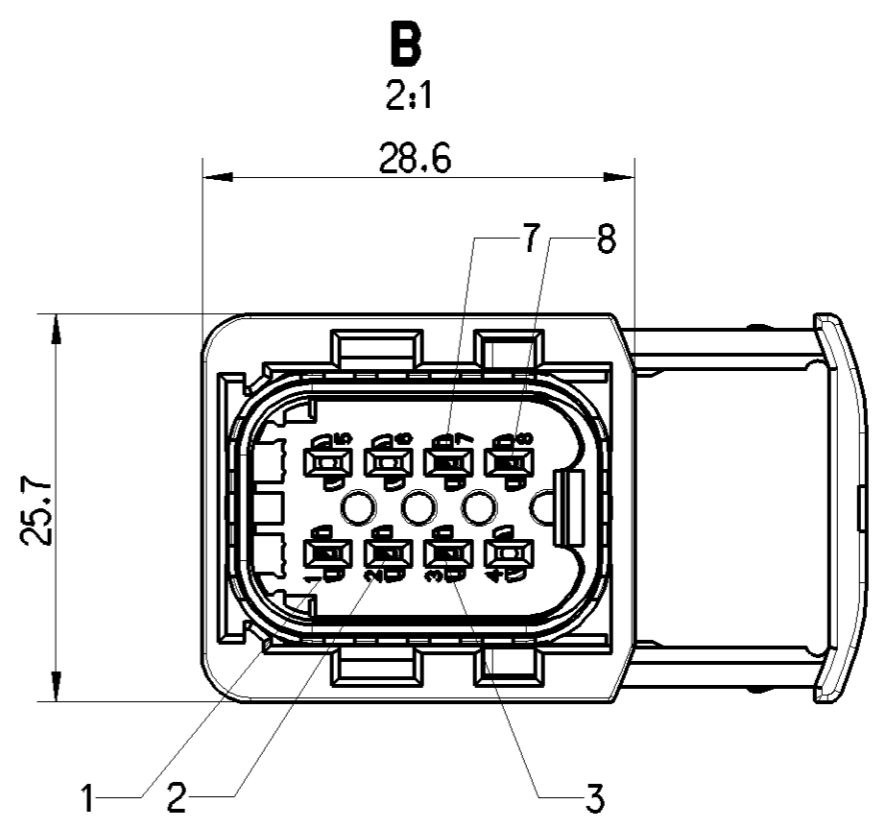
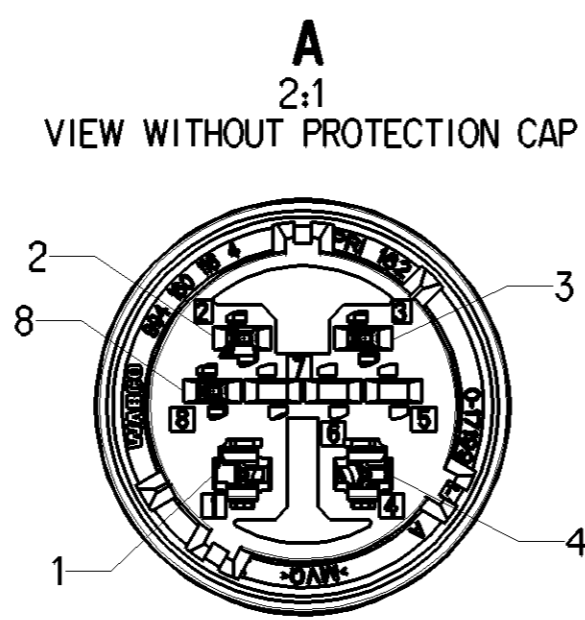


- 1 CABLE LENGTH PRINTING ALLOWED ON THE OTHER SIDE OF THE CABLE
- 2 WABCO LOGO: WABCO-16-JED-369
- 3 MANUFACTURER IDENTIFICATION PRINTING ALLOWED ON THE OTHER SIDE OF THE CABLE
- 4 DATE OF MANUFACTURE ACC. TO JED-226-3.1
- 5 WABCO IDENTIFICATION NUMBER 449 961 XXX 0
- 6 IDENTIFICATION OF COUNTRY OF ORIGIN PRINTING ALLOWED ON THE OTHER SIDE OF THE CABLE



DEGREE OF PROTECTION (IN CONNECTION WITH COUNTERPART CONNECTOR):
 CONNECTOR A: IP 6K6K / IP 6K9K
 CONNECTOR B: IP 6K7 / IP 6K9K
 PROTECTION CAP: IP 54 (ISO 20653)

THERMAL RANGE OF APPLICATION: -40°C ... +80°C

CABLE COMPLY WITH ADR GUIDELINE FOR WIRING

CONTACTS' SURFACE PROTECTION:
 CONNECTOR A: Sn / CONNECTOR B: Sn

CABLE: PUR / 5x0.5mm²

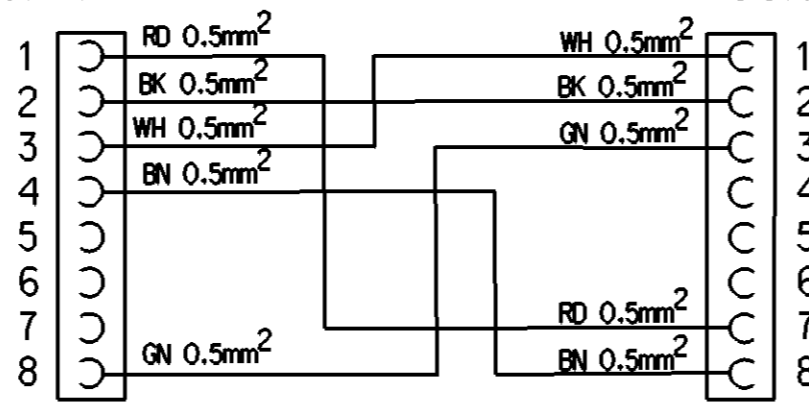
MOUNTED CABLE RESISTANT TO:
 AIR, WATER, MINERAL OIL, DIESELOIL, SALTSpray

INSTALLATION INSTRUCTIONS FOR CABLES TO BE OBSERVED.
 SEE DOCUMENT: 449 000 000 0 / 011

FIELD OF APPLICATION : TRAILER

- 7 PULL-OUT FORCE FOR CABLE WITH FIXATION FROM BACKSHELL: MIN. 80N
- 8 MATING DEVICE CONNECTION: WABCO EBS TRAILER MODULATOR
 INSTALLATION INSTRUCTIONS AND FOR FURTHER TECHNICAL DATA SEE:
 480 102 089 0 / 053
 400 200 220 0 / 035
- 9 CABLE TIE FIXATION POINT AT THE DEVICE
- 10 PROTECTION CAP

CONNECTOR A



CONNECTOR B

COLOUR CODING FOR WIRES:
 BK - BLACK
 BU - BLUE
 BN - BROWN
 GN - GREEN
 RD - RED
 WH - WHITE
 YE - YELLOW
 VT - VIOLET
 PK - PINK

11	CODE OF LENGTH	
PART NO	L[m]	449 961 □□□ 0
EXAMPLE	L = 12,5m	449 961 125 0
MIN/MAX LENGTH	L _{min} = 0,1m	L _{max} = 20,0m
TOLERANCES	L ≤ 10m	± 0,050m
	L > 10m	± 0,075m

General Specification: ISO 8016, JED-334-1, Size ISO 14405 LP		Copyright WABCO®	
Further Technical Data:		Date	Signature
Doc. Code:	Sheet: To	2022-01-31	Selkowicz
General Tolerances JED-261		Checked	Rokucki
Range of nominal dimensions in mm		Dimensions in mm	
Class 1)	≤ 50	> 50 ≤ 180	> 180 ≤ 400
Fine	±0.5	±1	±1.5
Medium	±1	±2	±3
Coarse	±2	±3.5	±5
Tapped Holes acc.		Mass	Scale
1) Tolerance Class Applied Crossmarked		kg	1:1
		kg	2:1
		Size	CAD System
		A 2	CREO
		Material No.	
		449 961 000 0	
		Date of first issue: 2022-01-31	
		Doc.Code Language Sheet	
		053 EN 1/1	
		ECN-No. Revision Techn. Resp. Replacement for	
		- - - 6930_WH -	

Non e permesso, concesso, o terzi o riproduzione di questo documento, ne utilizzare il contenuto o renderlo comunque noto o terzi senza autorizzazione esplicita. Omnia infraccio constituta un evidente abuso e comportano il risarcimento dei danni subiti. E' fatta riserva di tutti i diritti derivanti da brevetti o modelli.
 Copia of this document and giving it to others and the use or communication of the contents thereof, are forbidden without express authority. Contravention of this restriction will constitute an evident abuse and result in a liability to the payment of damages. All rights are reserved in the event of the grant of patent or registration of a utility model or design. This document is the subject of copyright.
 Ne e permesso, concesso, o terzi o riproduzione di questo documento, ne utilizzare il contenuto o renderlo comunque noto o terzi senza autorizzazione esplicita. Omnia infraccio constituta un evidente abuso e comportano il risarcimento dei danni subiti. E' fatta riserva di tutti i diritti derivanti da brevetti o modelli.
 Kopie van dit document en het verspreiden daarvan, het gebruik ervan en het verspreiden van de inhoud daarvan, zijn niet toegestaan zonder uitdrukkelijke toestemming. Het overtreden van deze restrictie zal tot aansprakelijkheid aanleiding geven.
 Alle Rechte hier den Fall der Patenterteilung oder Gebrauchsmuster-Eintragung vorbehalten.

doc: 4499610000..._0317 version: -2 / state: Approved / mtl: 4499610000_0317