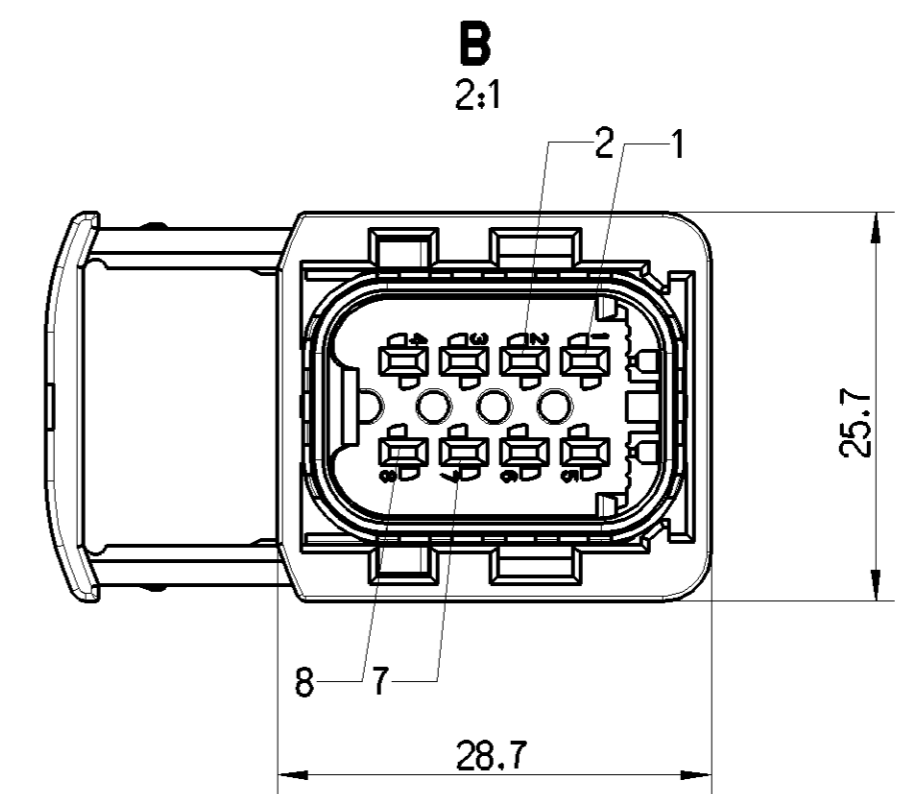
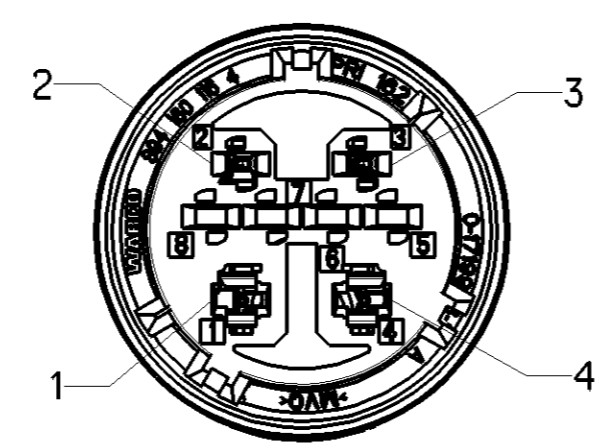


**A**  
2:1  
VIEW WITHOUT PROTECTION CAP



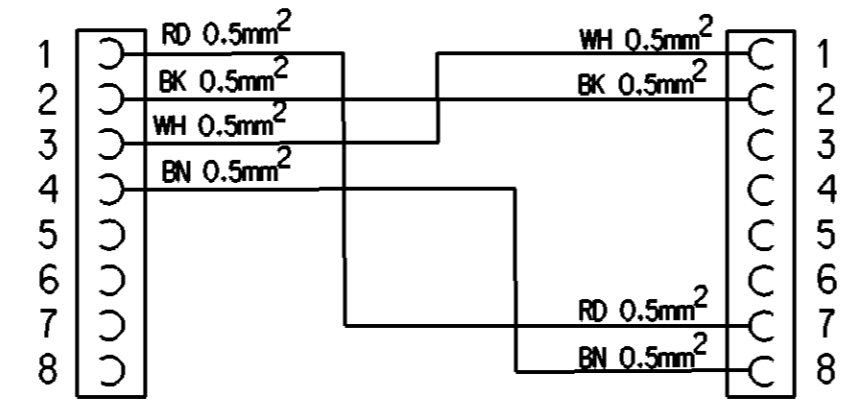
**B**  
2:1

- 1 CABLE LENGTH  
PRINTING ALLOWED ON THE OTHER SIDE OF THE CABLE
- 2 WABCO LOGO: WABCO-16-JED-369
- 3 MANUFACTURER IDENTIFICATION  
PRINTING ALLOWED ON THE OTHER SIDE OF THE CABLE
- 4 DATE OF MANUFACTURE ACC. TO JED-226-3.1
- 5 WABCO IDENTIFICATION NUMBER 449 963 XXX 0
- 6 IDENTIFICATION OF COUNTRY OF ORIGIN  
PRINTING ALLOWED ON THE OTHER SIDE OF THE CABLE



CONNECTOR A

CONNECTOR B



DEGREE OF PROTECTION (IN CONNECTION WITH COUNTERPART CONNECTOR):  
 CONNECTOR A: IP 6K6K / IP 6K9K  
 CONNECTOR B: IP 6K7 / IP 6K9K  
 PROTECTION CAP: IP 54 (ISO 20653)

THERMAL RANGE OF APPLICATION: -40°C ... +80°C

CABLE COMPLY WITH ADR GUIDELINE FOR WIRING

CONTACTS' SURFACE PROTECTION:  
 CONNECTOR A: Sn / CONNECTOR B: Sn

CABLE: PUR / 4x0.5mm<sup>2</sup>

MOUNTED CABLE RESISTANT TO:  
 AIR, WATER, MINERAL OIL, DIESELOIL, SALTSPRAY

INSTALLATION INSTRUCTIONS FOR CABLES TO BE OBSERVED.  
 SEE DOCUMENT: 449 000 000 0 / 011

FIELD OF APPLICATION: TRAILER

- 7 PULL-OUT FORCE FOR CABLE WITH FIXATION FROM BACKSHELL: MIN. 80N
- 8 MATING DEVICE CONNECTION: WABCO EBS TRAILER MODULATOR  
INSTALLATION INSTRUCTIONS AND FOR FURTHER TECHNICAL DATA SEE:  
480 102 089 0 / 053  
400 200 220 0 / 035
- 9 CABLE TIE FIXATION POINT AT THE DEVICE
- 10 PROTECTION CAP

COLOUR CODING FOR WIRES:  
 BK - BLACK  
 BU - BLUE  
 BN - BROWN  
 GN - GREEN  
 RD - RED  
 WH - WHITE  
 YE - YELLOW  
 VT - VIOLET  
 PK - PINK

11	CODE OF LENGTH	
PART NO	449 963 □□.□ 0	L[m]
EXAMPLE	449 963 125 0	L = 12.5m
MIN/MAX LENGTH	L <sub>min</sub> = 0.1m L <sub>max</sub> = 20.0m	
TOLERANCES	L ≤ 10m ± 0,050m L > 10m ± 0,075m	

General Specification: ISO 8015, JED-334-1, Size ISO 14405 LP		Copyright WABCO®	
Further Technical Data:		Date	Signature
Doc. Code:	Sheet: To	2022-01-31	Selkowicz
General Tolerances JED-261		Checked	Rokucki
Range of nominal dimensions in mm		Dimensions in mm	
Class 1)	≤ 50 > 50 ≤ 180 > 180 ≤ 400 > 400	Mass	Scale
Fine	±0.5 ±1 ±1.5 ±2	/	1:1
Medium	±1 ±2 ±3 ±4	kg	2:1
Coarse	±2 ±3.5 ±5 ±6.5	Size	CAD System
Tapped Holes acc.		A 2	CREO
1) Tolerance Class Applied Crossmarked		Material No.	Date of first issue: 2022-01-31
		449 963 000 0	Doc.Code Language Sheet
		053 EN 1/1	
		ECN-No.	Revision Techn. Resp. Replacement for
		- - -	6930_WH -

Non e permesso copiare, o terzi o riprodurre questo documento, ne utilizzare il contenuto o renderlo comunque noto o terzi senza autorizzazione esplicita. Ogni infrazione costituisce un evidente abuso e comporterà il risarcimento dei danni subiti. E' fatta riserva di tutti i diritti derivanti da brevetti o modelli.  
 Copia of this document and giving it to others and the use or communication of the contents thereof, are forbidden without express authority. Contravention of this restriction will constitute an evident abuse and result in a liability to the payment of damages. All rights are reserved in the event of the grant of patent or registration of a utility model or design. This document is the subject of copyright.  
 Nie e permitido copiar, o terceiros ou reproduzir este documento, nem utilizar o seu contido ou tornalo conhecido de terceiros sem a autorizacao expressa. Toda infracao constitui um claro abuso e acarretara o pagamento de danos e prejuizos. E' feita reserva de todos os direitos decorrentes de patentes ou modelos.  
 Weitergabe sowie Vervielfältigung dieses Dokuments, Verweihen und Mitteilen des Inhalts nicht gestattet, soweit nicht ausdrücklich ansonsten. Zuwiderhandlungen stellen einen offensichtlichen Missbrauch dar und verpflichten zu Schadensersatz. Alle Rechte hier den Fall der Patenterteilung oder Gebrauchsmuster-Eintragung vorbehalten.  
 Toute communication ou reproduction de ce document, toute exploitation ou communication de son contenu sont interdites, sauf autorisation expresse. Tout manquement a cette regle constitue un abus evident et expose son auteur au versement de dommages et interets. Tous droits de propriete industrielle reserves, notamment en matiere de brevets et de modes.  
 Alle Rechte hier den Fall der Patenterteilung oder Gebrauchsmuster-Eintragung vorbehalten.

dwg: 4499630000... Version: -2 / state: Approved / mdt: 4499630000... 2022