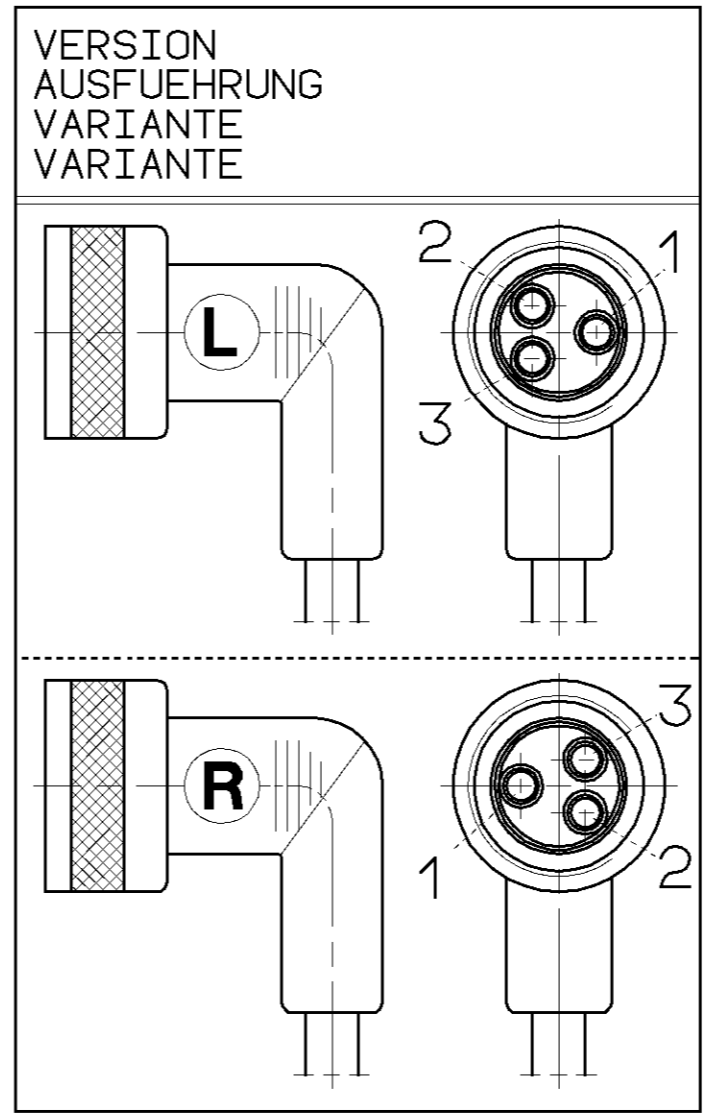
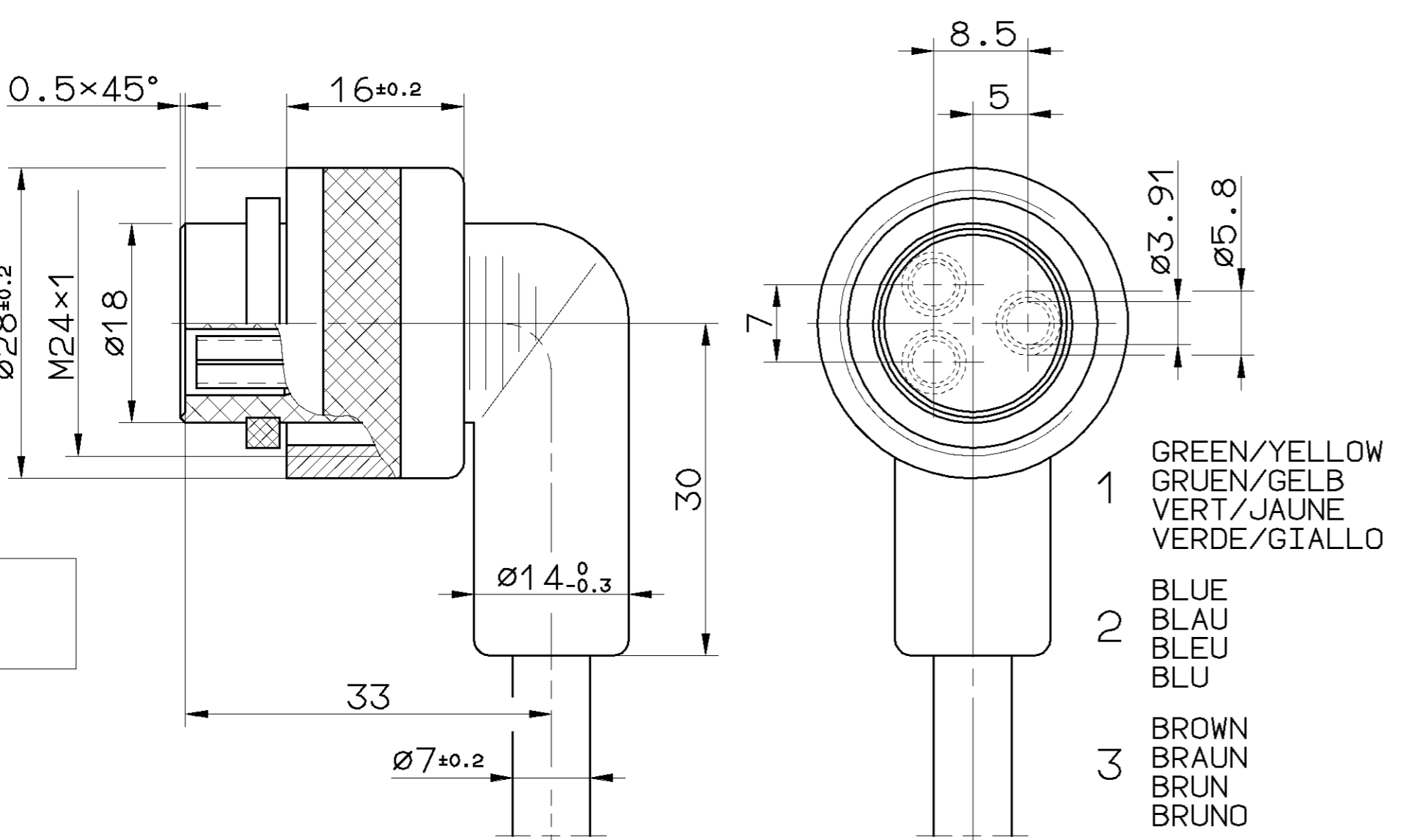
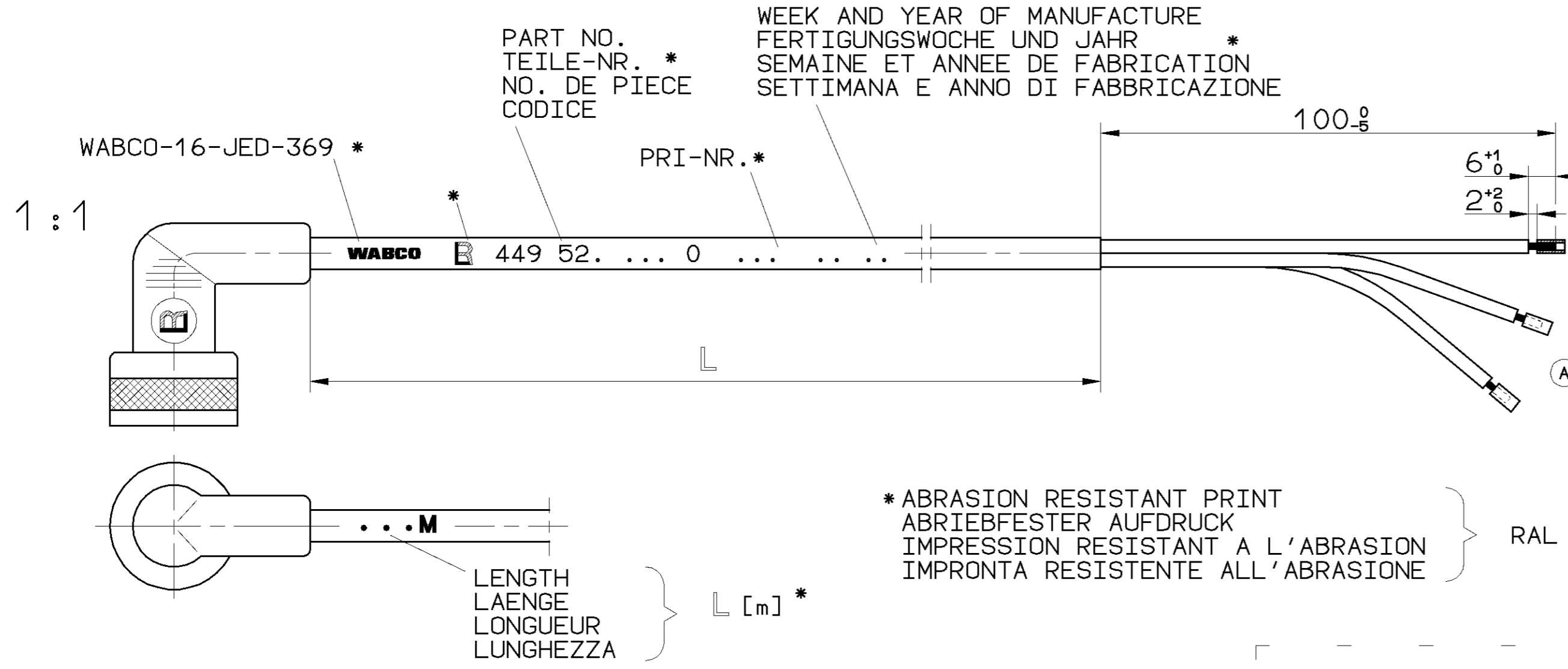


NON È PERMESSO CONSERVARE A TERZI O RIPRODURRE QUESTO DOCUMENTO. NE UTILIZZARE IL CONTENUTO O RES-  
 ARSIO E CONSERVARE IL RESUMATO DEL DISEGNO. IL DIRITTO DI RIPRODUZIONE È RISERVATO AL PROPRIETARIO  
 BREVETTI O MODELLI.  
 COPIING OF THIS DOCUMENT AND GIVING IT TO OTHERS AND THE USE OF COMMUNICATION OF THE CONTENTS THEREOF,  
 ABUSE AND RESULT IN A LIABILITY TO THE PAYMENT OF DAMAGES. ALL RIGHTS ARE RESERVED IN THE EVENT OF THE  
 GRANT OF PATENT OR REGISTRATION OF A UTILITY MODEL OR DESIGN.  
 THIS DOCUMENT IS THE SUBJECT OF COPYRIGHT.



- 1 GREEN/YELLOW  
GRUEN/GELB  
VERT/JAUNE  
VERDE/GIALLO
- 2 BLUE  
BLAU  
BLEU  
BLU
- 3 BROWN  
BRAUN  
BRUN  
BRUNO

CODE OF LENGTH LAENGENKODIERUNG CODE DE LA LONGUEUR CODICE DEL LUNGHEZZA															
PART NO TEILE NR NO DE PIECE CODICE	<table border="1"> <tr> <td>L</td> <td>449</td> <td>523</td> <td>□</td> <td>□</td> <td>□</td> <td>0</td> </tr> <tr> <td>R</td> <td>449</td> <td>524</td> <td>□</td> <td>□</td> <td>□</td> <td>0</td> </tr> </table>	L	449	523	□	□	□	0	R	449	524	□	□	□	0
L	449	523	□	□	□	0									
R	449	524	□	□	□	0									
EXAMPLE BEISPIEL EXEMPLE ESEMPIO	<table border="1"> <tr> <td>L</td> <td>=</td> <td>12m</td> </tr> <tr> <td>L</td> <td>449</td> <td>523</td> <td>120</td> <td>0</td> </tr> <tr> <td>R</td> <td>449</td> <td>524</td> <td>120</td> <td>0</td> </tr> </table>	L	=	12m	L	449	523	120	0	R	449	524	120	0	
L	=	12m													
L	449	523	120	0											
R	449	524	120	0											
MIN/MAX LENGTH MIN/MAX LAENGE MIN/MAX LONGUEUR MIN/MAX LUNGHEZZA	<table border="1"> <tr> <td>L<sub>min</sub></td> <td>=</td> <td>0.1m</td> </tr> <tr> <td>L<sub>max</sub></td> <td>=</td> <td>20.0m</td> </tr> </table>	L <sub>min</sub>	=	0.1m	L <sub>max</sub>	=	20.0m								
L <sub>min</sub>	=	0.1m													
L <sub>max</sub>	=	20.0m													
TOLERANCES TOLERANZEN TOLERANCES TOLERANZA	<table border="1"> <tr> <td>L &lt; 10m</td> <td>±0.050m</td> </tr> <tr> <td>L &gt; 10m</td> <td>±0.075m</td> </tr> </table>	L < 10m	±0.050m	L > 10m	±0.075m										
L < 10m	±0.050m														
L > 10m	±0.075m														



THREE CORE CABLE  
LEITUNG DREIADRIK  
CABLE A TROIS CONDUCTEURS  
CAVO A TRE CONDUTTORI } PUR 3x1.5mm<sup>2</sup>

STRAIN RELIEF CABLE  
ZUGENTLASTUNG KABEL  
ARRET DE CABLE  
SCARICO DI TRAZIONE DEL CAVO } MAX. 200 N φ=20° C

THERMAL RANGE OF APPLICATION  
THERMISCHER ANWENDUNGSBEREICH  
GAMME D'APPLICATION THERMIQUE  
CAMPO DI APPLICAZIONE TERMICA } -40° C...+80° C

\* ABRASION RESISTANT PRINT  
ABRIEBFESTER AUFDRUCK  
IMPRESSION RESISTANT A L'ABRASION  
IMPRONTA RESISTENTE ALL'ABRASIONE } RAL 9001

RESISTANT TO  
BESTAENDIG GEGEN  
RESISTANT A  
RESISTENTE A } AIR, WATER, MINERAL OIL, PETROL, DIESELOIL, SALTSpray  
LUFT, WASSER, MINERALOEL, BENZIN, DIESELOEL, SALZSPRUEHNEBEL  
AIR, EAU, HUILE MINERALE, ESSENCE, GASOIL, BROUILLARD SALIN  
ARIA, AQUA, OLIO, MINERALE, BENZINA, GASOLIO, NEBBIA SALINA

TYPE OF PROTECTION (IN CONNECTION WITH PLUG)  
SCHUTZART (IN VERBINDUNG MIT STECKER)  
MODE DE PROTECTION (DANS CONNECTION AVEC FICHE)  
TIPO DI PROTEZIONE (IN RELAZIONE CON SPINA) } IP 68  
EN 60529/IEC 529

FOR FURTHER TECHNICAL DATA SEE PRODUCT SPECIFICATION  
WEITERE TECHNISCHE DATEN SIEHE PRODUKT SPEZIFIKATION  
POUR AUTRES DONNEES TECHNIQUES VOIR PRODUCT SPECIFICATION  
PER ULTERIORI DATI TECNICI VEDERE SPECIFICA DI PRODOTTO } 894 601 010 2

GENERAL SPECIFICATION: JED-334 **		CADAM-DRAWING COPYRIGHT		<b>WABCO</b>	
FURTHER TECHNICAL DATA:		DATE: 95-03-17		SIGNATURE: HARNISCHM	
DOC. CODE: SHEET. TO		DRAWN: 95-03-17		CHECKED: HOEFLER	
GENERAL TOLERANCES		STANDARDIZATION: 95-03-17		PANTZER	
RANGE OF NOMINAL DIMENSIONS (± mm)		MASS		SCALE	
CLASS 1)	≤50 >50 ≤180 >180 ≤400 >400	/ KG		2:1 (1:1)	
FINE	0,5 1,0 1,5 2,0	SIZE		T.R.I.	
MEDIUM	1,0 2,0 3,0 4,0	A 2		141	
COARSE	2,0 3,5 5,0 6,5	TAPPED HOLES ACC. ISO 4039 / JED-182		057524 1x A 95-04-13	
TOLERANCE CLASS APPLIED CROSSMARKED		DGN-NO. REV. DATE		SHAPE CODE	
				REPLACEMENT FOR	

1609/012/204.93 605/653