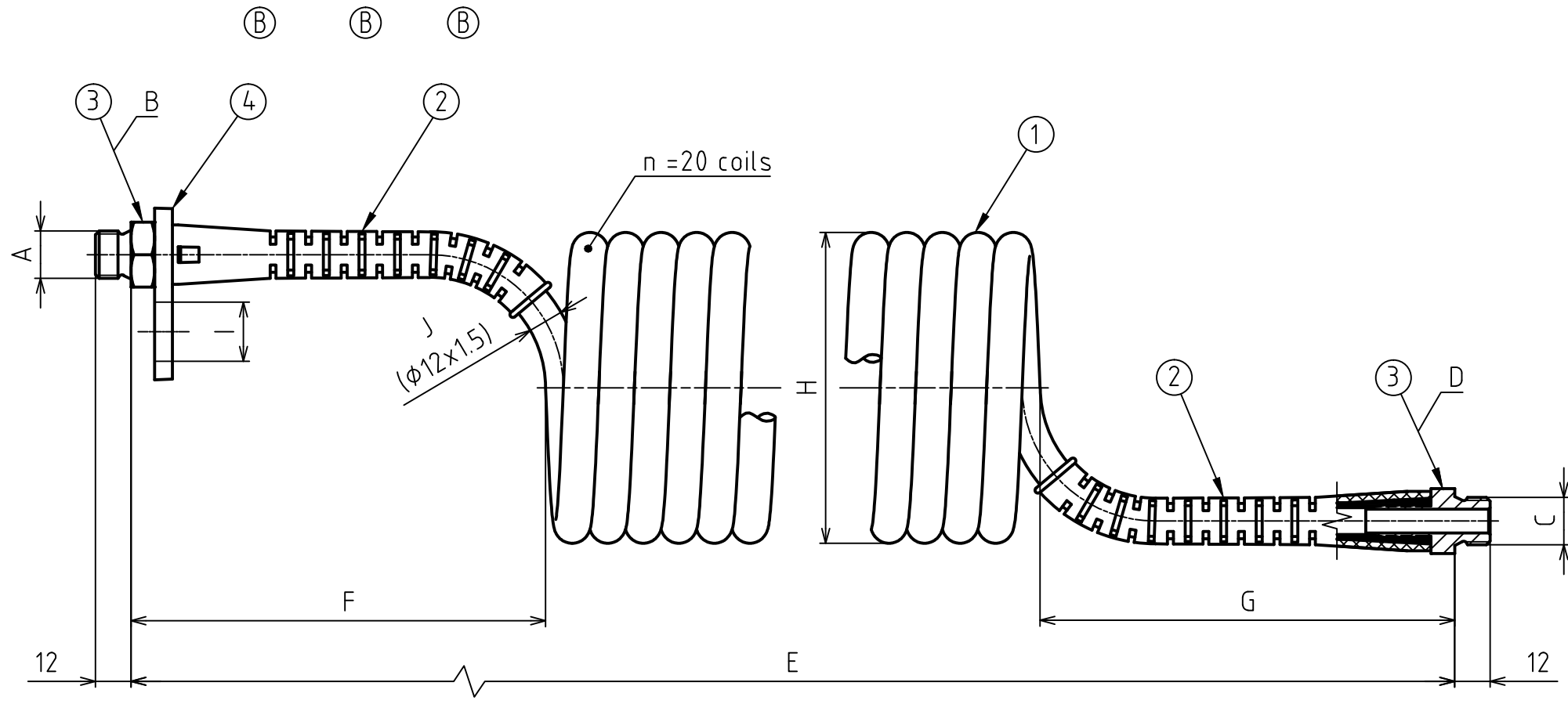
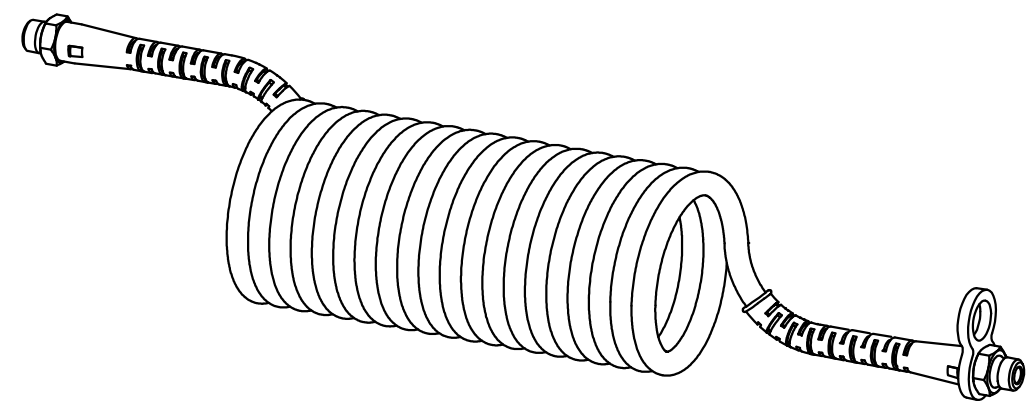


Non è permesso consegnare a terzi o riprodurre questo documento, né utilizzarne il contenuto o renderlo comunque noto a terzi senza autorizzazione esplicita. Ogni violazione costituirà un evidente abuso e comporterà il risarcimento dei danni subiti. È fatta riserva di tutti i diritti derivanti da brevetti o modelli.  
 Copring of this document and giving it to others, and the use or communication of the contents thereof, are forbidden without express authority. Contravention of this restriction will constitute an evident abuse and result in a liability to the payment of damages. All rights are reserved in the event of the grant of patent or registration of a utility model or design. This document is the subject of copyright.  
 Toute communication ou reproduction de ce document, toute exploitation ou communication de son contenu sont interdites, sauf autorisation expresse. Tout manquement à cette règle constitue un abus évident et expose son auteur au versement de dommages et intérêts. Tous droits de propriété industrielle réservés, notamment en matière de brevets et de modèles.  
 Weitergabe sowie Vervielfältigung dieses Urteiles, Verwertung und Mitteilung ihres Inhalts sind nicht gestattet, soweit nicht ausdrücklich gestattet. Zuwiderhandlungen stellen einen offensichtlichen Missbrauch dar und verpflichten zu Schadensersatz. Alle Rechte fuer den Fall der Patenterteilung oder Gebrauchsmuster-Eintragung vorbehalten.

1		2			3			4		5		6		7		8	
A	B	C	D	E	F	G	H	I	J	REQUIREMENT STANDARD K	TRADEMARK L	CATEGORY OF MATERIAL STANDARD M	MATERIAL (ACC. TO ISO 7628) N	DATE OF MANUFACTURE O	MANUFACTURER'S SYMBOL P		
M16x1.5 external	Hex. 22	M16x1.5 external	Hex. 22	550 ±20 (~4.000)	14.0±20	14.0±20	∅105±10	+0.2 ∅20 0	∅12x1.5	ISO 7375, Type 1 ISO 7628, Category 1	ACC. TO JED-369 HEIGHT APPROX. 5mm IN A CONTRASTING COLOR	CAT1	TPC-ET	WWYY	6-DIGIT SAP-SUPPLIER NO.		



Marking: **WABCO** 452 711 056 0 - ISO 7375 -  -  -  -



Medium: Air (ACC. to JED-848)  
 Admissible temperature range: -40°C to +70°C  
 Admissible working pressure: max. 10 bar (1000 kPa)

Cleanliness requirement:

No particles >1mm allowed acc. to mandatory standard:  
JED-334 and JED-593

- ④ Material: PP Black
- ③ Material: Steel; gal. Zn CrVI free
- ② Material: TPE Red
- ① Material: TPC-ET Black

General Specification: JED-334-1, Size ISO 14405 LP						Copyright WABCO®		<b>WABCO</b>					
Further Technical Data:						Date	Signature						
Doc. Code:			Sheet: To			Drawn		COILED TUBE					
General Tolerances JED-261			Range of Nominal Dimensions ( ± mm)			2015-09-19						ing. KUBIS	
						Checked		KAUFMANN					
						2015-09-19						ing. KUBIS	
						Expert		Date of first issue: 2015-07-14					
						KAUFMANN						Material No. 452 711 056 0	
Fine	×	0.5	1.0	15	2.0	Mass	Scale	Doc. Code		Language			
Medium		1.0	2.0	3.0	4.0	0.510 KG	1:2	005		EN		1/1	
Coarse		2.0	3.5	5.0	6.5	Size	CAD System	ECN-No.		Revision		Techn. Resp.	
Tapped Holes acc. to -						A 3	ACAD	165654		3x B		5690	
1) Tolerance Class Applied Crossmarked								Replacement for					