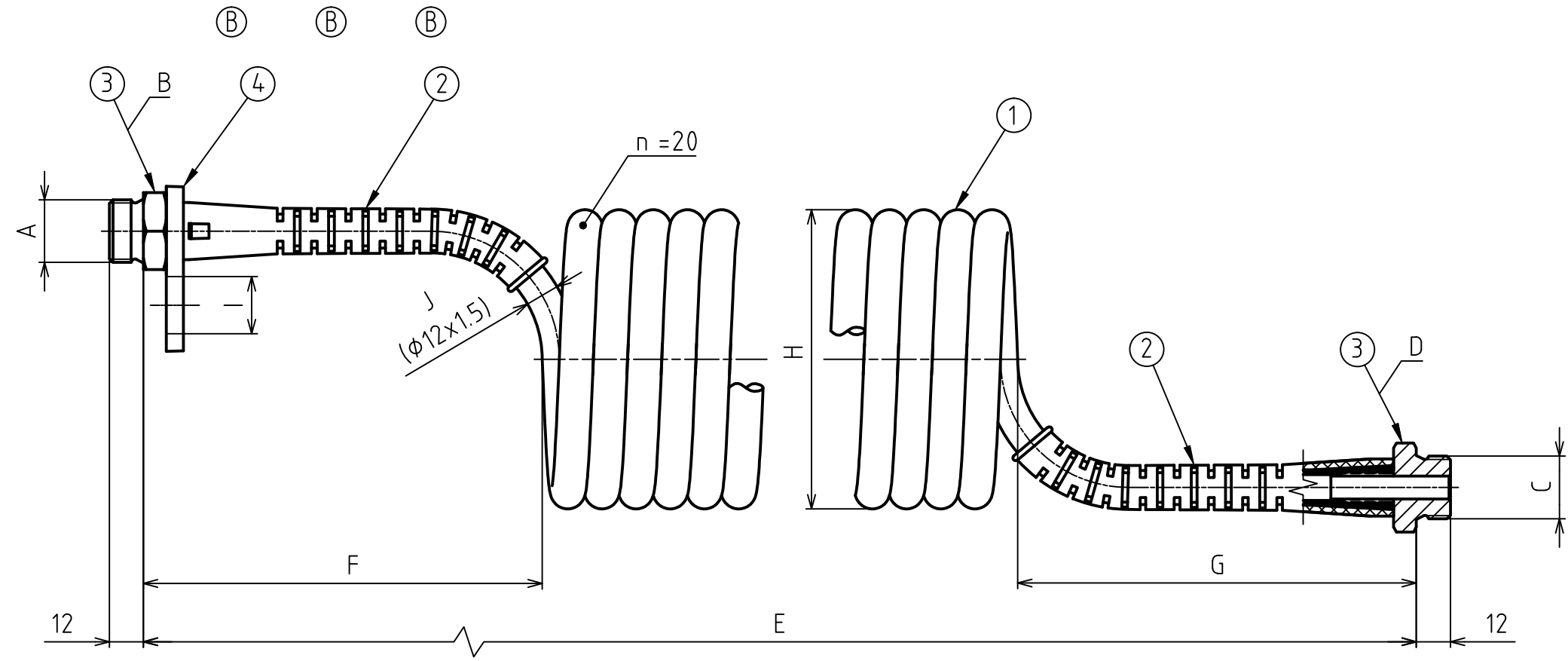
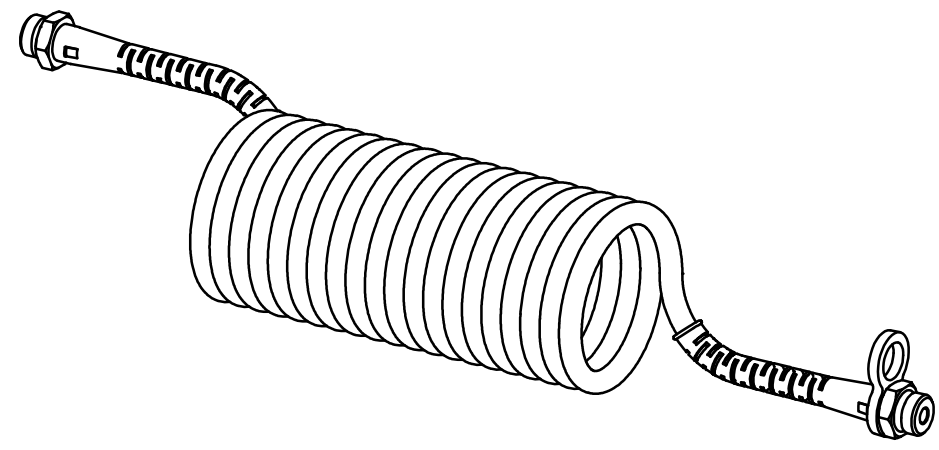


Non è permesso consegnare a terzi o riprodurre questo documento, né utilizzarne il contenuto o renderlo comunque noto a terzi senza autorizzazione esplicita. Ogni violazione costituirà un evidente abuso e comporterà il risarcimento dei danni subiti. È fatta riserva di tutti i diritti derivanti da brevetti o modelli.
 Copring of this document and giving it to others, and the use or communication of the contents thereof, are forbidden without express authority. Contravention of this restriction will constitute an evident abuse and result in a liability to the payment of damages. All rights are reserved in the event of the grant of patent or registration of a utility model or design. This document is the subject of copyright.
 Toute communication ou reproduction de ce document, toute exploitation ou communication de son contenu sont interdites, sauf autorisation expresse. Tout manquement à cette règle constitue un abus évident et expose son auteur au versement de dommages et intérêts. Tous droits de propriété industrielle réservés, notamment en matière de brevets et de modèles.
 Weitergabe sowie Vervielfältigung dieses Urteils, Verwertung und Mitteilung ihres Inhalts sind nicht gestattet, soweit nicht ausdrücklich gestattet. Zuwiderhandlungen stellen einen offensichtlichen Missbrauch dar und verpflichten zu Schadensersatz. Alle Rechte fuer den Fall der Patenterteilung oder Gebrauchsmuster-Eintragung vorbehalten.

1		2			3			4		5		6		7		8	
A	B	C	D	E	F	G	H	I	J	REQUIREMENT STANDARD K	TRADEMARK L	CATEGORY OF MATERIAL STANDARD M	MATERIAL (ACC. TO ISO 7628) N	DATE OF MANUFACTURE O	MANUFACTURER'S SYMBOL P		
M22x1.5 external	Hex. 27	M22x1.5 external	Hex. 27	550 ±20 (~4.000)	140±20	140±20	∅105±10	+0.2 ∅20 0	∅12x1.5	ISO 7375, Type 1 ISO 7628, Category 1	ACC. TO JED-369 HEIGHT APPROX. 5mm IN A CONTRASTING COLOR	CAT1	TPC-ET	WWYY	6-DIGIT SAP-SUPPLIER NO.		



Marking: **WABCO** 452 711 058 0 - ISO 7375 - [] - [] - [] - []



Medium: Air (ACC. to JED-848)
 Admissible temperature range: -40°C to +70°C
 Admissible working pressure: max. 10 bar (1000 kPa)

Cleanliness requirement:

No particles >1mm allowed acc. to mandatory standard:
JED-334 and JED-593

- ④ Material: PP Black
- ③ Material: Steel; gal. Zn CrVI free
- ② Material: TPE Red
- ① Material: TCP-ET Black

General Specification: JED-334-1, Size ISO 14405 LP				Copyright WABCO®		WABCO COILED TUBE			
Further Technical Data:				Date	Signature				
Doc. Code:		Sheet: To		Drawn					
General Tolerances JED-261				2015-09-19	ing. KUBIS				
Range of Nominal Dimensions (± mm)				Checked		2015-09-19		ing. KUBIS	
				Expert				KAUFMANN	
Fine	×	0.5	1.0	15	2.0	Mass		Scale	
Medium		1.0	2.0	3.0	4.0	0.543 KG		1:2	
Coarse		2.0	3.5	5.0	6.5	Size		CAD System	
Tapped Holes acc. to -				A 3		ACAD			
1) Tolerance Class Applied Crossmarked									
				ECN-No.		Revision		Techn. Resp.	
				165654		3x B		5690	
				Material No.		Date of first issue		2015-07-14	
				452 711 058 0					
				Doc. Code		Language		Sheet	
				005		EN		1/1	
				Replacement for					

