

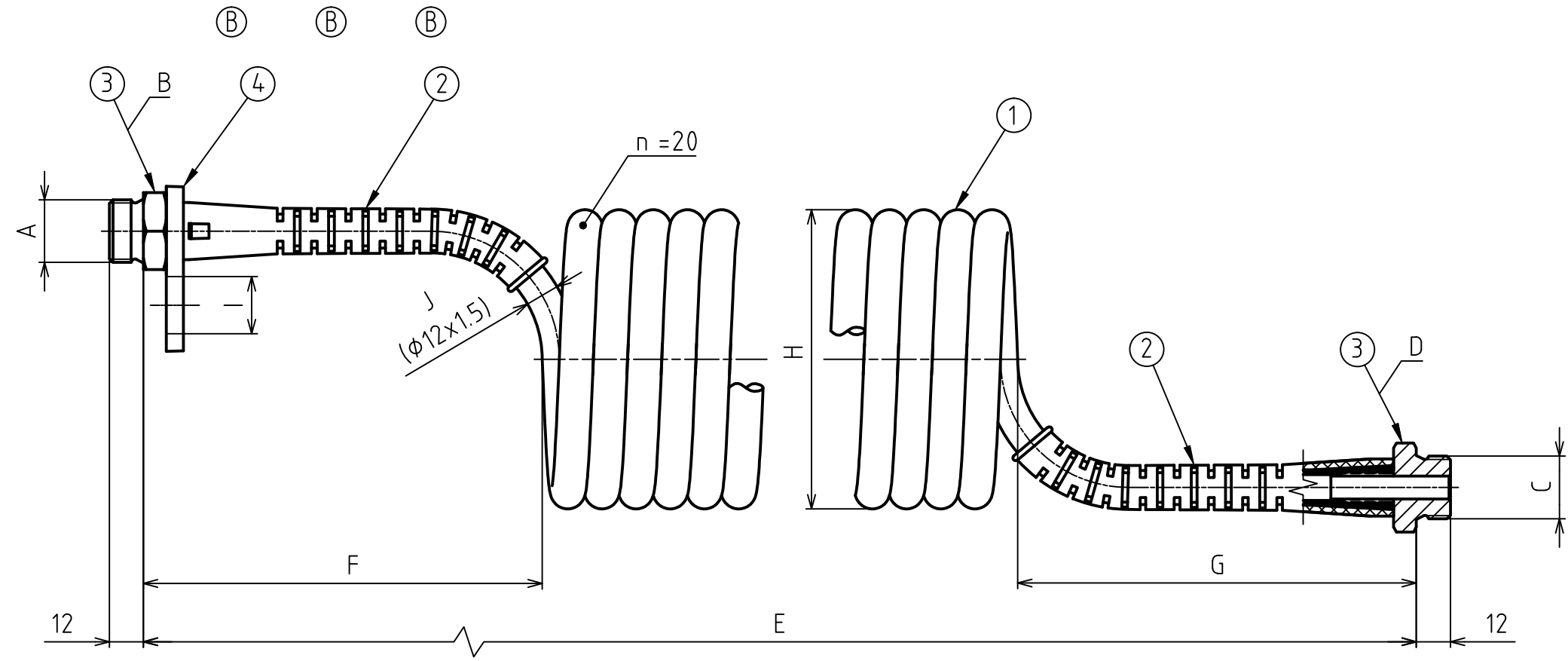
Non è permesso consegnare a terzi o riprodurre questo documento, né utilizzarne il contenuto o renderlo comunque noto a terzi senza autorizzazione esplicita. Ogni violazione costituirà un evidente abuso e comporterà il risarcimento dei danni subiti. È fatta riserva di tutti i diritti derivanti da brevetti o modelli.

Copring of this document and giving it to others and the use or communication of the contents thereof, are forbidden without express authority. Contravention of this restriction will constitute an evident abuse and result in a liability to the payment of damages. All rights are reserved in the event of the grant of patent or registration of a utility model or design. This document is the subject of copyright.

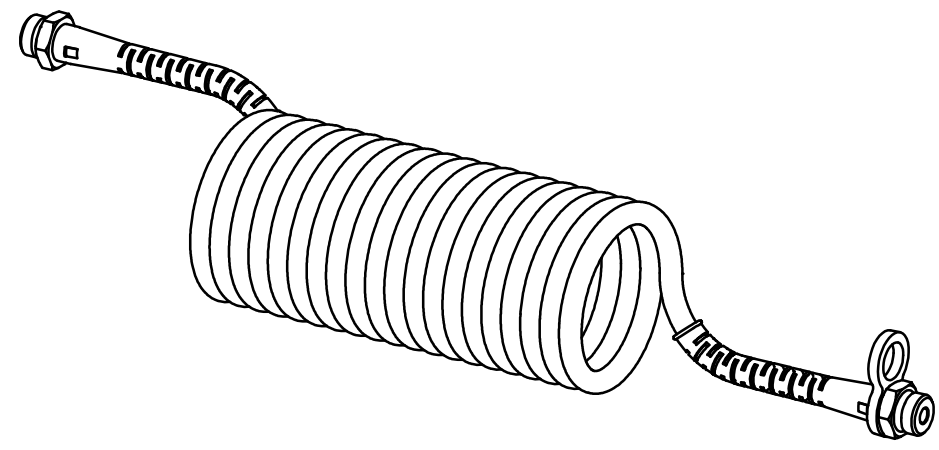
Tout réimpression ou reproduction de ce document, toute exploitation ou communication de son contenu sont interdites, sauf autorisation expresse. Tout manquement à cette règle constitue un abus évident et expose son auteur au versement de dommages et intérêts. Tous droits de propriété industrielle réservés, notamment en matière de brevets et de modèles.

Weitergabe sowie Vervielfältigung dieses Urteils, Verwertung und Mitteilung ihres Inhalts nicht gestattet, soweit nicht ausdrücklich gestattet. Zuwiderhandlungen stellen einen offensichtlichen Missbrauch dar und verpflichten zu Schadensersatz. Alle Rechte fuer den Fall der Patenterteilung oder Gebrauchsmuster-Eintragung vorbehalten.

1		2			3			4		5		6		7		8	
A	B	C	D	E	F	G	H	I	J	REQUIREMENT STANDARD K	TRADEMARK L	CATEGORY OF MATERIAL STANDARD M	MATERIAL (ACC. TO ISO 7628) N	DATE OF MANUFACTURE O	MANUFACTURER'S SYMBOL P		
M22x1.5 external	Hex. 27	M22x1.5 external	Hex. 27	550 ±20 (~4.000)	140±20	140±20	∅105±10	+0.2 ∅20 0	∅12x1.5	ISO 7375, Type 1 ISO 7628, Category 1	ACC. TO JED-369 HEIGHT APPROX. 5mm IN A CONTRASTING COLOR	CAT1	TPC-ET	WWYY	6-DIGIT SAP-SUPPLIER NO.		



Marking: **WABCO** 452 711 059 0 - ISO 7375 - [] - [] - [] - []



Medium: Air (ACC. to JED-848)
 Admissible temperature range: -40°C to +70°C
 Admissible working pressure: max. 10 bar (1000 kPa)

- ④ Material: PP Black
- ③ Material: Steel; gal. Zn CrVI free
- ② Material: TPE Yellow
- ① Material: TCP-ET Black

Cleanliness requirement:
 No particles >1mm allowed acc. to mandatory standard:
 JED-334 and JED-593

General Specification: JED-334-1, Size ISO 14405 LP				Copyright WABCO®		WABCO					
Further Technical Data:				Date	Signature						
Doc. Code:		Sheet: To		Drawn	ing. KUBIS						
General Tolerances JED-261				2015-09-19				Checked			
Range of Nominal Dimensions (± mm)				2015-09-19	ing. KUBIS		COILED TUBE				
				Expert							
				KAUFMANN		Material No.		Date of first issue: 2015-07-14			
Fine	×	0.5	1.0	15	2.0	452 711 059 0		Doc.Code	Language	Sheet	
Medium		1.0	2.0	3.0	4.0			005	EN	1/1	
Coarse		2.0	3.5	5.0	6.5						
Tapped Holes acc. to -				Mass	Scale	Material No.		Date of first issue: 2015-07-14			
1) Tolerance Class Applied Crossmarked				0.543 KG	1:2	452 711 059 0					
				Size	CAD System						
				A 3	ACAD						
				ECN-No.		Revision		Techn. Resp.		Replacement for	
				165654		3x B		5690		-	

