

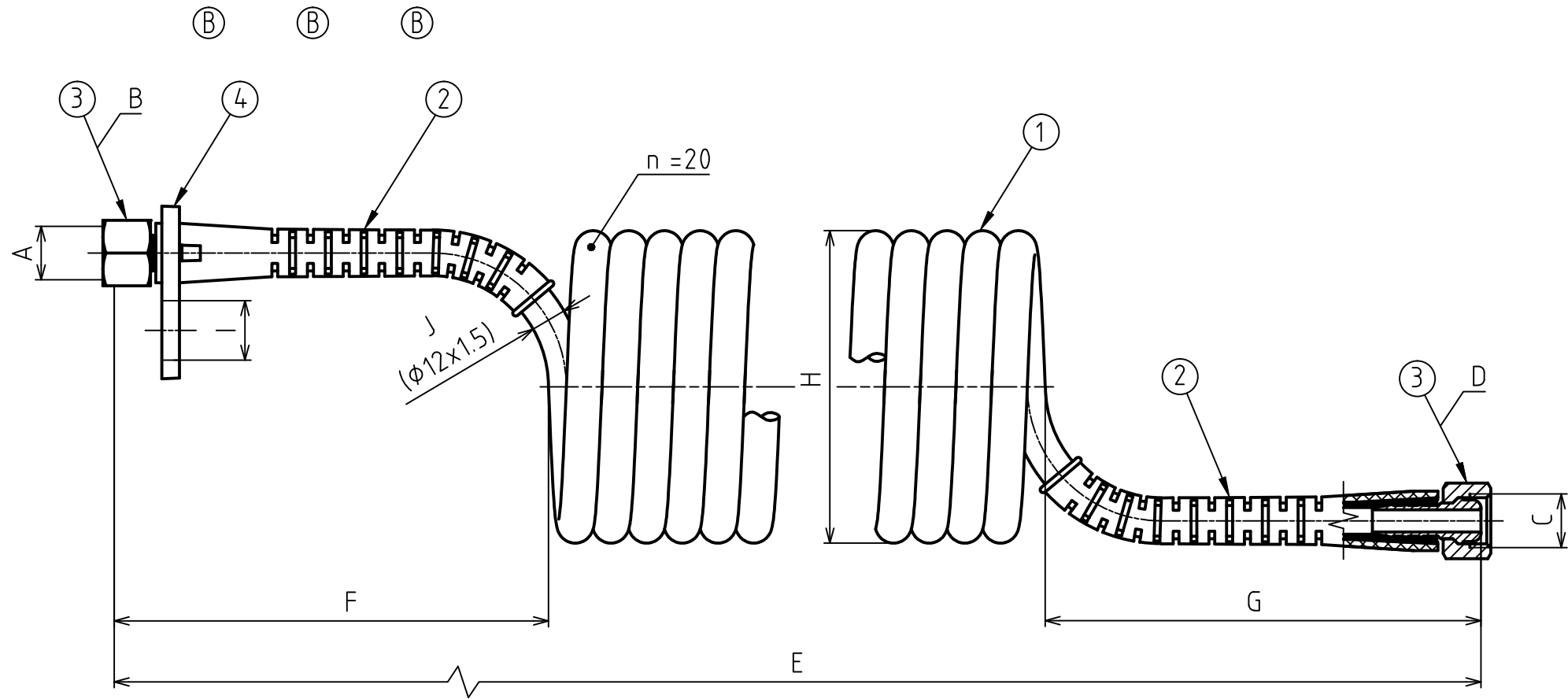
Non è permesso consegnare a terzi o riprodurre questo documento, né utilizzare il contenuto o renderlo comunque noto a terzi senza autorizzazione esplicita. Ogni violazione costituirà un evidente abuso e comporterà il risarcimento dei danni subiti. È fatta riserva di tutti i diritti derivanti da brevetti o modelli.

Copying of this document and giving it to others, and the use or communication of the contents thereof, are forbidden without express authority. Contravention of this restriction will constitute an evident abuse and result in a liability to the payment of damages. All rights are reserved in the event of the grant of patent or registration of a utility model or design. This document is the subject of copyright.

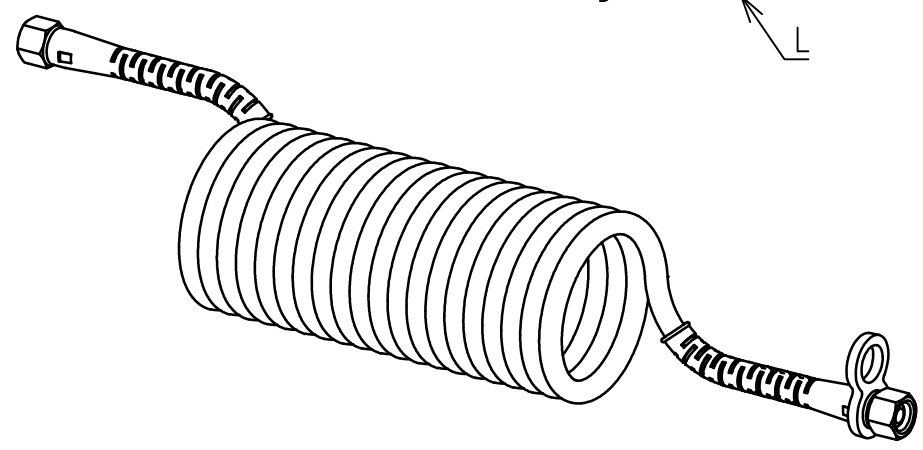
Tout réimpression ou reproduction de ce document, toute exploitation ou communication de son contenu sont interdites, sauf autorisation expresse. Tout manquement à cette règle constitue un abus évident et expose son auteur au versement de dommages et intérêts. Tous droits de propriété industrielle réservés, notamment en matière de brevets et de modèles.

Weitergabe sowie Vervielfältigung dieses Urteils, Verwertung und Mitteilung ihres Inhalts nicht gestattet, soweit nicht ausdrücklich gestattet. Zuwiderhandlungen stellen einen offensichtlichen Missbrauch dar und verpflichten zu Schadensersatz. Alle Rechte fuer den Fall der Patenterteilung oder Gebrauchsmuster-Eintragung vorbehalten.

1		2			3			4			5		6		7		8	
A	B	C	D	E	F	G	H	I	J	REQUIREMENT STANDARD K	TRADEMARK L	CATEGORY OF MATERIAL STANDARD M	MATERIAL (ACC. TO ISO 7628) N	DATE OF MANUFACTURE O	MANUFACTURER'S SYMBOL P			
M18x1.5 internal	Hex. 22	M18x1.5 internal	Hex. 22	562 ±20 (~4000)	146±20	146±20	∅105±10	+0.2 ∅20 0	∅12x1.5	ISO 7375, Type 1 ISO 7628, Category 1	ACC. TO JED-369 HEIGHT APPROX. 5mm IN A CONTRASTING COLOR	CAT1	TPC-ET	WWYY	6-DIGIT SAP-SUPPLIER NO.			



Marking: **WABCO** 452 711 063 0 - ISO 7375 - [ ] - [ ] - [ ] - [ ]



- ④ Material: PP Black
- ③ Material: Steel; gal. Zn CrVI free
- ② Material: TPE Yellow
- ① Material: TCP-ET Black

Cleanliness requirement:

No particles >1mm allowed acc. to mandatory standard:  
JED-334 and JED-593

Medium: Air (ACC. to JED-848)  
Admissible temperature range: -40°C to +70°C  
Admissible working pressure: max. 10 bar (1000 kPa)

General Specification: JED-334-1, Size ISO 14405 LP				Copyright WABCO®		<b>WABCO</b>								
Further Technical Data:				Date	Signature									
Doc. Code:		Sheet: To		Drawn										
General Tolerances JED-261				2015-09-19	ing. KUBIS									
Range of Nominal Dimensions ( ± mm)				Checked		COILED TUBE								
				2015-09-19	ing. KUBIS									
				Expert										
				KAUFMANN										
Fine	×	0.5	1.0	15	2.0	±3°	Mass	Scale	Material No.			Date of first issue: 2015-07-14		
Medium		1.0	2.0	3.0	4.0		0.501 KG	1:2	452 711 063 0			Doc.Code	Language	Sheet
Coarse		2.0	3.5	5.0	6.5		Size	CAD System				005	EN	1/1
Tapped Holes acc. to -				A 3	ACAD	ECN-No.			Revision	Techn. Resp.	Replacement for			
1) Tolerance Class Applied Crossmarked						165654	3x	B	5690					

