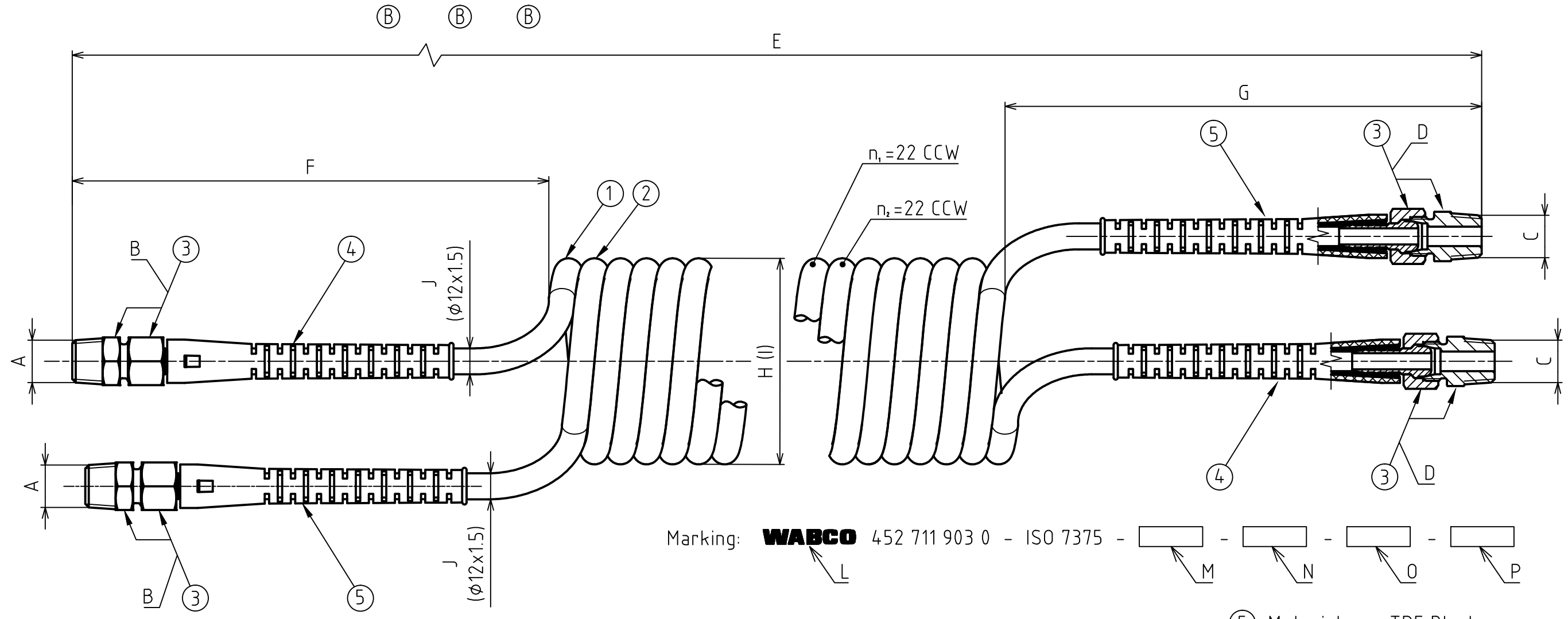


Non e permesso consegnare a terzi o riprodurre questo documento, ne utilizzare il contenuto o renderlo comunque noto a terzi senza autorizzazione esplicita. Ogni violazione costituisce un evidente abuso e comportera il risarcimento dei danni subiti. E' fatta riserva di tutti i diritti derivanti da brevetti o modelli.
 Copying of this document and giving it to others, and the use or communication of the contents thereof, are forbidden without express authority. Contravention of this restriction will constitute an evident abuse and result in a liability to the payment of damages. All rights are reserved in the event of the grant of patent or registration of a utility model or design. This document is the subject of copyright.
 Toute communication ou reproduction de ce document, toute exploitation ou communication de son contenu sont interdites, sauf autorisation expresse. Tout manquement a cette regle constitue un abus evident et expose son auteur au versement de dommages et interets. Tous droits de propriete industrielle reserves, notamment en matiere de brevets et de modesles.
 Weitergabe sowie Vervielfaltigung dieses Urteiles, Verwertung und Mitteilung ihres Inhalts nicht gestattet, soweit nicht ausdruecklich zugestanden. Zuwiderhandlungen stellen einen offensichtlich missbrueuch dar und verpflichten zu Schadenersatz. Alle Rechte fuer den Fall der Patenterteilung oder Gebrauchsmuster-Eintragung vorbehalten.

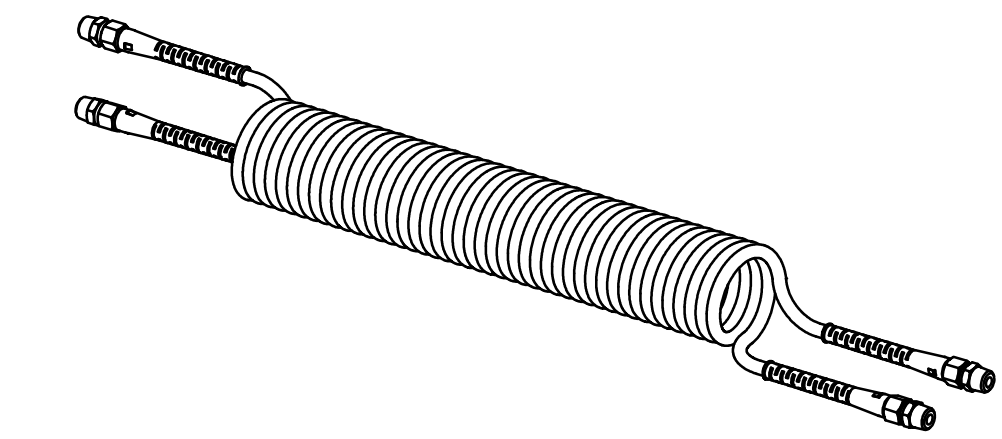
1		2		3		4		5		6		7		8	
A	B	C	D	E	F	G	H	I	J	REQUIREMENT STANDARD K	TRADEMARK L	CATEGORY OF MATERIAL STANDARD M	MATERIAL (ACC. TO ISO 7628) N	DATE OF MANUFACTURE O	MANUFACTURER'S SYMBOL P
1/2" BSP external	Hex. 22	1/2" BSP external	Hex. 22	980 -20/+100 (~4.000)	220±20	220±20	φ95±10	φ95±10	φ12x1.5	ISO 7375, Type 1 ISO 7628, Category 1	ACC. TO JED-369 HEIGHT APPROX. 5mm IN A CONTRASTING COLOR	CAT1	TPC-ET	WWYY	6-DIGIT SAP-SUPPLIER NO.



Marking: **WABCO** 452 711 903 0 - ISO 7375 - - - -

- ⑤ Material: TPE Black
- ④ Material: TPE Black
- ③ Material: Steel; gal. Zn CrVI free
- ② Material: TCP-ET Blue
- ① Material: TCP-ET Red

Cleanliness requirement:
 No particles >1mm allowed acc. to mandatory standard:
 JED-334 and JED-593



Medium: Air (ACC. to JED-848)
 Admissible temperature range: -40°C to +70°C
 Admissible working pressure: max. 10 bar (1000 kPa)

General Specification: JED-334-1, Size ISO 14405 LP				Copyright WABCO®		WABCO							
Further Technical Data:				Date	Signature								
Doc. Code:		Sheet: To		Drawn		DOUBLE COILED TUBES							
General Tolerances JED-261				2015-09-19	ing. KUBIS								
Range of Nominal Dimensions (± mm)				Checked									
				2015-09-19	ing. KUBIS								
				Expert		452 711 903 0							
				KAUFMANN									
Fine	×	0.5	1.0	15	2.0	Mass	Scale	Material No.		Date of first issue	2015-07-14		
Medium		1.0	2.0	3.0	4.0	1.111 KG	1:2	452 711 903 0		Doc.Code	Language	Sheet	
Coarse		2.0	3.5	5.0	6.5	Size	CAD System			005	EN	1/1	
Tapped Holes acc. to -				A 3		ACAD		ECN-No.		Revision	Techn. Resp.		
1) Tolerance Class Applied Crossmarked								165654		3x	B 5690		
												Replacement for	

