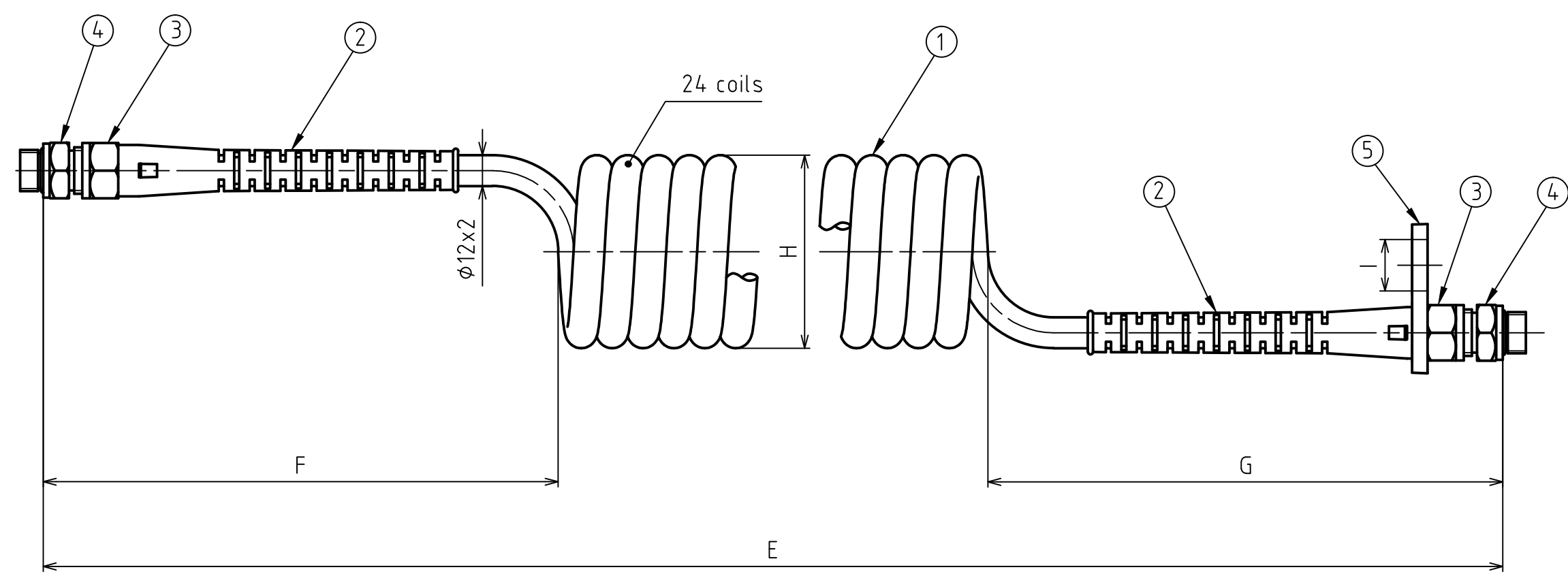


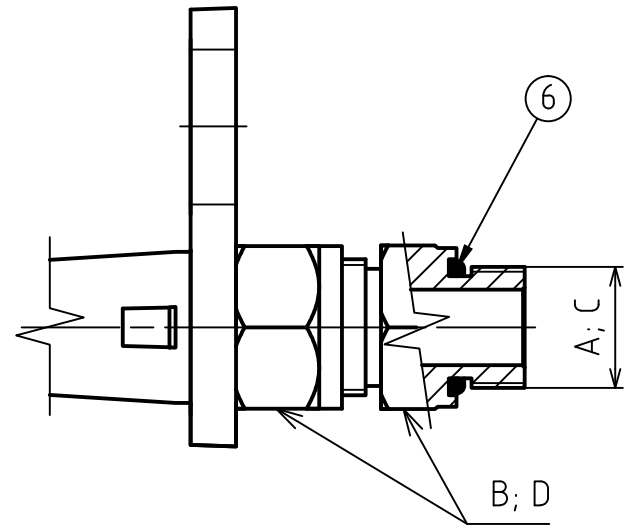
1 2 3 4 5 6 7 8

A B C D E F G H I J K

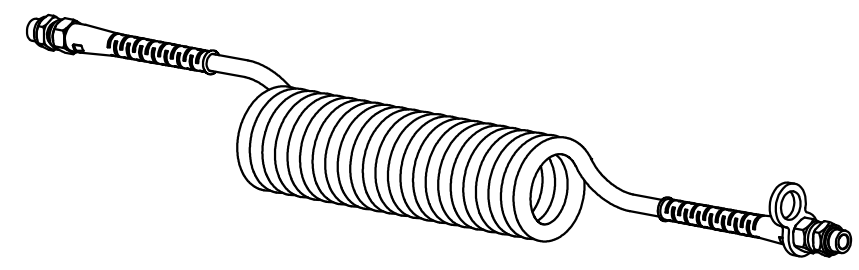
M16x1.5 external + O-ring	Hex. 22	M16x1.5 external + O-ring	Hex. 22	700 ±20 (-4000)	200±20	200±20	∅70±10	+0.2 ∅20 0	similar to: DIN 74323 ISO7375	single tube
---------------------------	---------	---------------------------	---------	-----------------	--------	--------	--------	---------------	-------------------------------------	-------------



CUT VIEW OF FITTINGS (1:1)



Medium: Air
 Admissible temperature range: -40°C to +70°C
 Admissible working pressure: max. <10 bar
 Marking: acc. to 452 713 000 0 Doc. Code 005



Cleanliness requirement:

No particles >1mm allowed acc. to mandatory standard:
 JED-334 and JED-593

- ⑥ Material: NBR Black 70ShA
- ⑤ Material: PP Black
- ④ Material: Steel; gal. Zn CrVI free
- ③ Material: Steel; gal. Zn CrVI free
- ② Material: TPE Yellow
- ① Material: TPU Yellow

General Specification: JED-334-1, Size ISO 14405 LP				Copyright WABCO®		WABCO		
Further Technical Data:				Date	Signature			
Doc. Code:		Sheet: To		Drawn	ing. KUBIS			
General Tolerances JED-261				Checked				
Range of Nominal Dimensions (± mm)				Expert		COILED TUBE		
Fine				KAUFMANN				
Medium				Mass	Scale	Material No.		
Coarse				0.544 KG	1:2	452 713 002 0		
Tapped Holes acc. to -				Size	CAD System	Date of first issue: 2015-06-25		
1) Tolerance Class Applied Crossmarked				A 3	ACAD	Doc. Code Language Sheet		
				ECN-No. Revision Techn. Resp.		005 EN 1/1		
				Replacement for		-		

1 2 3 4 5 6 7 8



Non e permesso consegnare a terzi o riprodurre questo documento, ne utilizzare il contenuto o renderlo comunque noto a terzi senza autorizzazione esplicita. Ogni violazione costituisce un evidente abuso e comporterà il risarcimento dei danni subiti. E' fatta riserva di tutti i diritti derivanti da brevetti o modelli.
 Toute communication ou reproduction de ce document, toute exploitation ou communication de son contenu sont interdites, sauf autorisation expresse. Tout manquement a cette regle constitue un abus evident et expose son auteur au versement de dommages et interets. Tous droits de proprie industrielle reserves, notamment en matiere de brevets et de modes.
 Weitergabe sowie Vervielfaltigung dieses Urteils, Verwertung und Mitteilung ihres Inhalts nicht gestattet, soweit nicht ausdrücklich gestattet. Zuwiderhandlungen stellen einen offensichtlich missbräuchlich und verpflichten zu Schadensersatz. Alle Rechte fuer den Fall der Patenterteilung oder Gebrauchsmuster-Eintragung vorbehalten.