

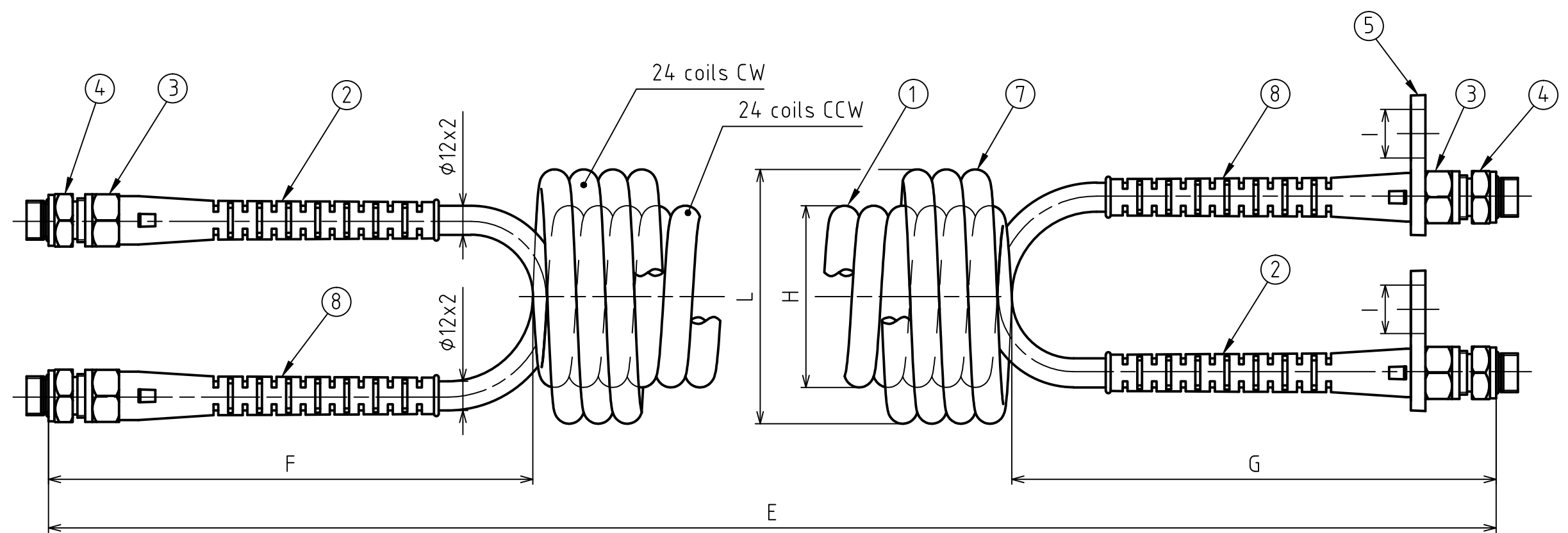
Non è permesso consegnare a terzi o riprodurre questo documento, né utilizzarne il contenuto o renderlo comunque noto a terzi senza autorizzazione esplicita. Ogni violazione costituirà un evidente abuso e comporterà il risarcimento dei danni subiti. È fatta riserva di tutti i diritti derivanti da brevetti o modelli.

Copring of this document and giving it to others and the use or communication of the contents thereof, are forbidden without express authority. Contravention of this restriction will constitute an evident abuse and result in a liability to the payment of damages. All rights are reserved in the event of the grant of patent or registration of a utility model or design. This document is the subject of copyright.

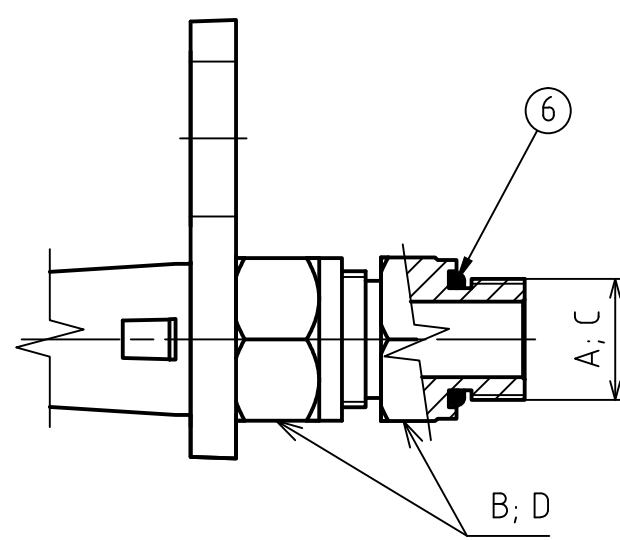
Tout le communication ou reproduction de ce document, toute exploitation ou communication de son contenu sont interdites, sauf autorisation expresse. Toute utilisation à cette règle constitue un abus évident et expose son auteur au versement de dommages et intérêts. Tous droits de propriété industrielle réservés, notamment en matière de brevets et de modèles.

Weitergabe sowie Vervielfältigung dieser Unterlagen, Verwertung und Mitteilung ihres Inhalts nicht gestattet, soweit nicht ausdrücklich gestattet. Zuwiderhandlungen stellen einen offensichtlichen Missbrauch dar und verpflichten zu Schadensersatz. Alle Rechte fuer den Fall der Patenterteilung oder Gebrauchsmuster-Eintragung vorbehalten.

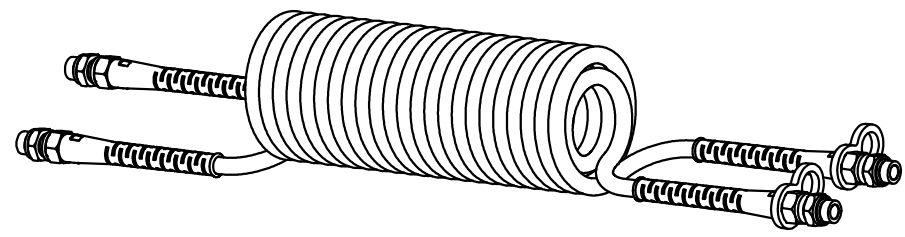
1	2	3	4	5	6	7	8				
A	B	C	D	E	F	G	I	J	K	L	
M16x1.5 external + O-ring	Hex. 22	M16x1.5 external + O-ring	Hex. 22	700 ±20 (~4000)	200±20	200±20	φ70±10	+0.2 φ20 0	similar to: DIN 74323 ISO7375	double tubes	φ105±10



CUT VIEW OF FITTINGS (1:1)



Medium: Air
 Admissible temperature range: -40°C to +70°C
 Admissible working pressure: max. <10 bar
 Marking: acc. to 452 713 000 0 Doc. Code 005



Cleanliness requirement:
 No particles >1mm allowed acc. to mandatory standard: JED-334 and JED-593

- ⑧ Material: TPE Yellow
- ⑦ Material: TPU Yellow
- ⑥ Material: NBR Black 70ShA
- ⑤ Material: PP Black
- ④ Material: Steel; gal. Zn CrVI free
- ③ Material: Steel; gal. Zn CrVI free
- ② Material: TPE Red
- ① Material: TPU Red

General Specification: JED-334-1, Size ISO 14405 LP				Copyright WABCO®		WABCO				
Further Technical Data:				Date	Signature					
Doc. Code:		Sheet: To		2015-06-29	ing. KUBIS	COILED TUBES				
General Tolerances JED-261				Checked						
Range of Nominal Dimensions (± mm)				2015-06-29					ing. KUBIS	
				Expert						
				KAUFMANN		Material No.				
Fine	0.5	1.0	15	2.0	1:2	452 713 005 0				
Medium	1.0	2.0	3.0	4.0						
Coarse	2.0	3.5	5.0	6.5						
Tapped Holes acc. to -				Mass	Scale	Date of first issue: 2015-06-25				
1) Tolerance Class Applied Crossmarked				1.224 KG	1:2	Doc.Code	Language	Sheet		
				Size	CAD System	005	EN	1/1		
				A 3	ACAD	Techn. Resp. 5690				
						Replacement for -				

