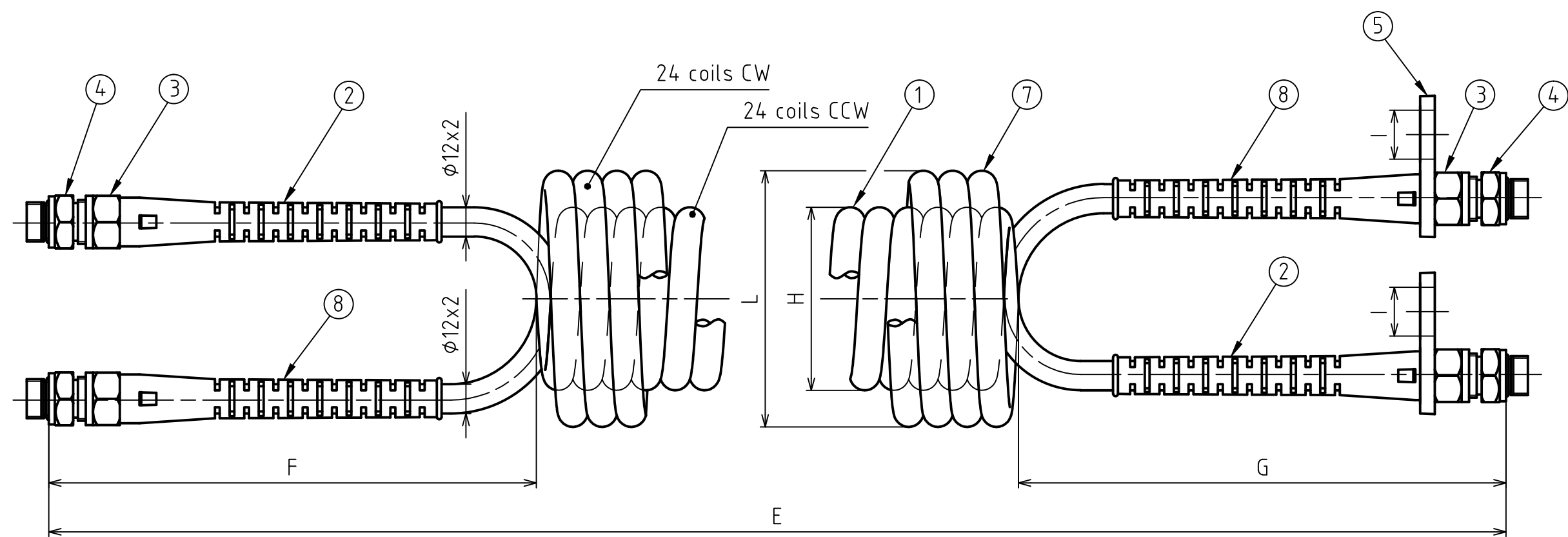
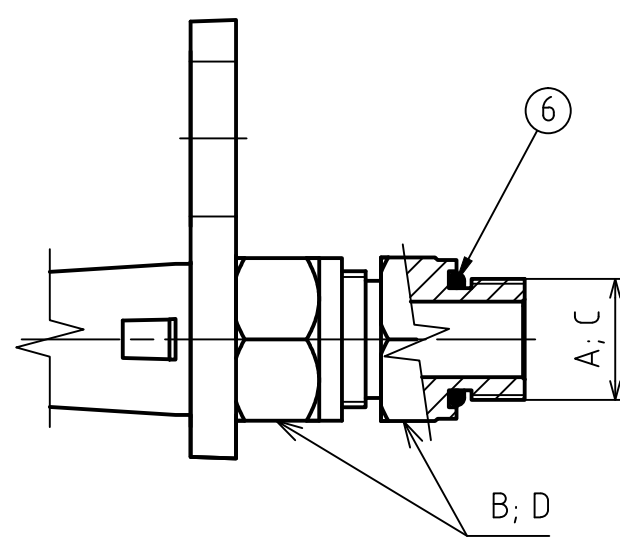


1 2 3 4 5 6 7 8

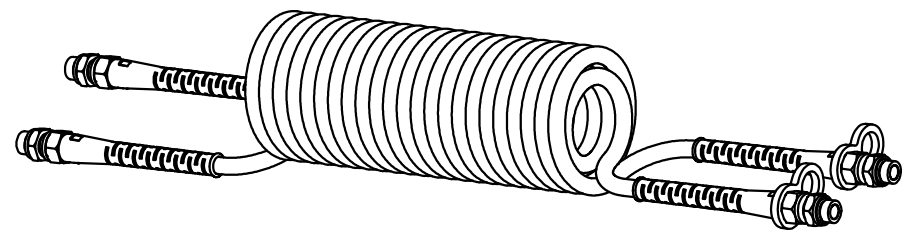
A	B	C	D	E	F	G	H	I	J	K	L
M16x1.5 external + O-ring	Hex. 22	M16x1.5 external + O-ring	Hex. 22	700 ±20 (~4000)	200±20	200±20	∅70±10	+0.2 ∅20 0	similar to: DIN 74323 ISO7375	double tubes	∅105±10



CUT VIEW OF FITTINGS (1:1)



Medium: Air  
 Admissible temperature range: -40°C to +70°C  
 Admissible working pressure: max. <10 bar  
 Marking: acc. to 452 713 000 0 Doc. Code 005



Cleanliness requirement:

No particles >1mm allowed acc. to mandatory standard:  
 JED-334 and JED-593

- ⑧ Material: TPE Red
- ⑦ Material: TPU Black
- ⑥ Material: NBR Black 70ShA
- ⑤ Material: PP Black
- ④ Material: Steel; gal. Zn CrVI free
- ③ Material: Steel; gal. Zn CrVI free
- ② Material: TPE Yellow
- ① Material: TPU Black

General Specification: JED-334-1, Size ISO 14405 LP				Copyright WABCO®		<b>WABCO</b>				
Further Technical Data:				Date	Signature					
Doc. Code:		Sheet: To		2015-06-29	ing. KUBIS	COILED TUBES				
General Tolerances JED-261				Checked						
Range of Nominal Dimensions ( ± mm)				2015-06-29					ing. KUBIS	
				Expert						
				KAUFMANN		Material No.				
Fine	0.5	1.0	15	2.0	±3°	Date of first issue: 2015-06-25				
Medium	1.0	2.0	3.0	4.0		452 713 006 0	Doc.Code	Language	Sheet	
Coarse	2.0	3.5	5.0	6.5			005	EN	1/1	
Tapped Holes acc. to -				Mass	Scale	Techn. Resp.				
1) Tolerance Class Applied Crossmarked				1.224 KG	1:2	5690		Replacement for		
				Size	CAD System	ECN-No.		Revision		
				A 3	ACAD	-		-		

100mm

1 2 3 4 5 6

Non e permesso consegnare a terzi o riprodurre questo documento, ne utilizzare il contenuto o renderlo comunque noto a terzi senza autorizzazione esplicita. Ogni violazione costituisce un evidente abuso e comportera il risarcimento dei danni subiti. E' fatta riserva di tutti i diritti derivanti da brevetti o modelli.  
 Copring of this document and giving it to others and the use or communication of the contents thereof, are forbidden without express authority. Contravention of this restriction will constitute an evident abuse and result in a liability to the payment of damages. All rights are reserved in the event of the grant of patent or registration of a utility model or design. This document is the subject of copyright.  
 Toute communication ou reproduction de ce document, toute exploitation ou communication de son contenu sont interdites, sauf autorisation expresse. Toute violation de cette regle constitue un abus evident et expose son auteur au versement de dommages et interets. Tous droits de propriet industrielle reserves, notamment en matiere de brevets et de modes.  
 Weitergabe sowie Vervielfaltigung dieser Unterteile, Verwertung und Mitteilung ihres Inhalts nicht gestattet, soweit nicht ausdruecklich zugestanden. Zuwiderhandlungen stellen einen ersichtlichen Missbrauch dar und verpflichten zu Schadensersatz. Alle Rechte fuer den Fall der Patenterteilung oder Gebrauchsmuster-Eintragung vorbehalten.