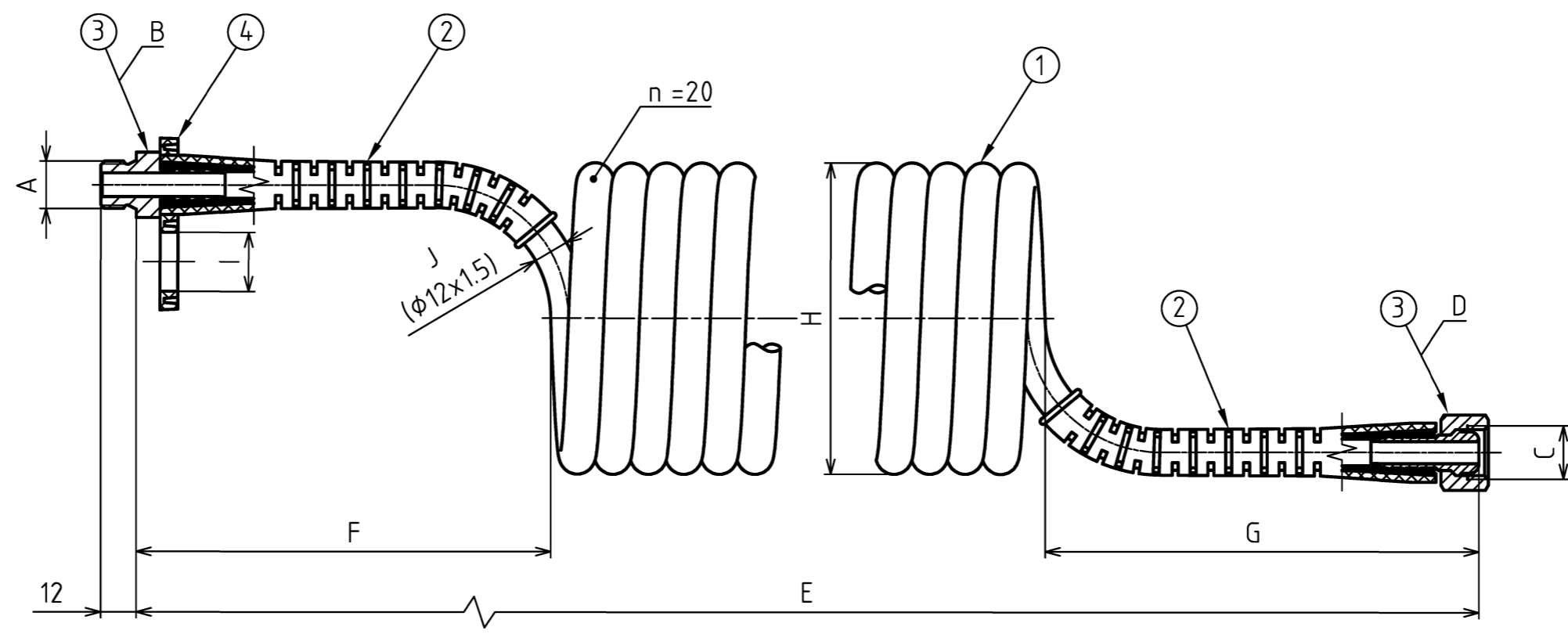
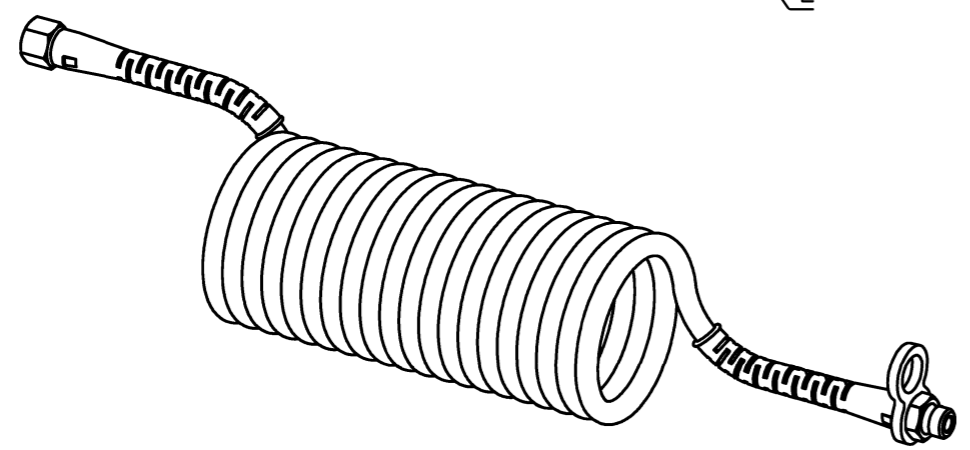


1		2		3		4		5		6		7		8	
A	B	C	D	E	F	G	H	I	J	REQUIREMENT STANDARD K	TRADEMARK L	CATEGORY OF MATERIAL STANDARD M	MATERIAL (ACC. TO ISO 7628) N	DATE OF MANUFACTURE O	MANUFACTURER'S SYMBOL P
M16x1.5 external	Hex. 22	M18x1.5 internal	Hex. 22	556 ±20 (~4000)	140±20	146±20	φ105±10	+0.2 φ20 0	φ12x1.5	ISO 7375, Type 1 ISO 7628, Category 1	ACC. TO JED-369 HEIGHT APPROX. 5mm IN A CONTRASTING COLOR	CAT1	TPC-ET	DD.MM.YY HH:MM	6-DIGIT SAP-SUPPLIER NO.



Marking: **WABCO** 452 711 061 0 - ISO 7375 - - - -



- ④ Material: PP Black
- ③ Material: Steel; gal. Zn CrVI free
- ② Material: TPE Yellow
- ① Material: TCP-ET Black

Cleanliness requirement:

No particles >1mm allowed acc. to mandatory standard:
JED-334 and JED-593

Medium: Air (ACC. to JED-848)
Admissible temperature range: -40°C to +70°C
Admissible working pressure: max. 10 bar (1000 kPa)

General Specification: JED-334-1, Size ISO 14405 LP				Copyright WABCO®		WABCO								
Further Technical Data:				Date	Signature				COILED TUBE					
Doc. Code:		Sheet: To		Drawn	BALAGA							Date of first issue: 2015-07-16		
General Tolerances JED-261				Checked	BULAJ									
Range of Nominal Dimensions (± mm)				Expert	BULAJ	005 EN 1/1								
Fine	×	0.5	1.0	15	2.0				Material No. 452 711 061 0					
Medium		1.0	2.0	3.0	4.0							ECN-No. Revision Techn. Resp. Replacement for		
Coarse		2.0	3.5	5.0	6.5									
Tapped Holes acc. to -				Mass	Scale	100mm								
1) Tolerance Class Applied Crossmarked				0.506 KG	1:2				A 3 ACAD					
				Size	CAD System							E		

Non è permesso consegnare a terzi o riprodurre questo documento, né utilizzare il contenuto o renderlo comunque noto a terzi senza autorizzazione esplicita. Ogni violazione costituisce un evidente abuso e comporterà il risarcimento dei danni subiti. Toute communication ou reproduction de ce document, tout exploitacion ou communication de son contenu sont interdites, sauf autorisation expresse. Tout manquement a cette regle constitue un abus evident et expose son auteur au versement de dommages et interests. Los dños de propiedad industrial reservados, en particular en materia de brevets y de modelos. Weitergabe sowie Vervielfältigung dieses Überleges, Verwertung und Mitteilung ihres Inhalts nicht gestattet, soweit nicht ausdrücklich zugestanden. Zuwiderhandlungen stellen einen offensichtlichen Rechtsbruch dar und verpflichten zu Schadenersatz. Alle Rechte hier den Fall der Patentföhlung oder Gebrauchsmuster-Entragung vorbehalten.