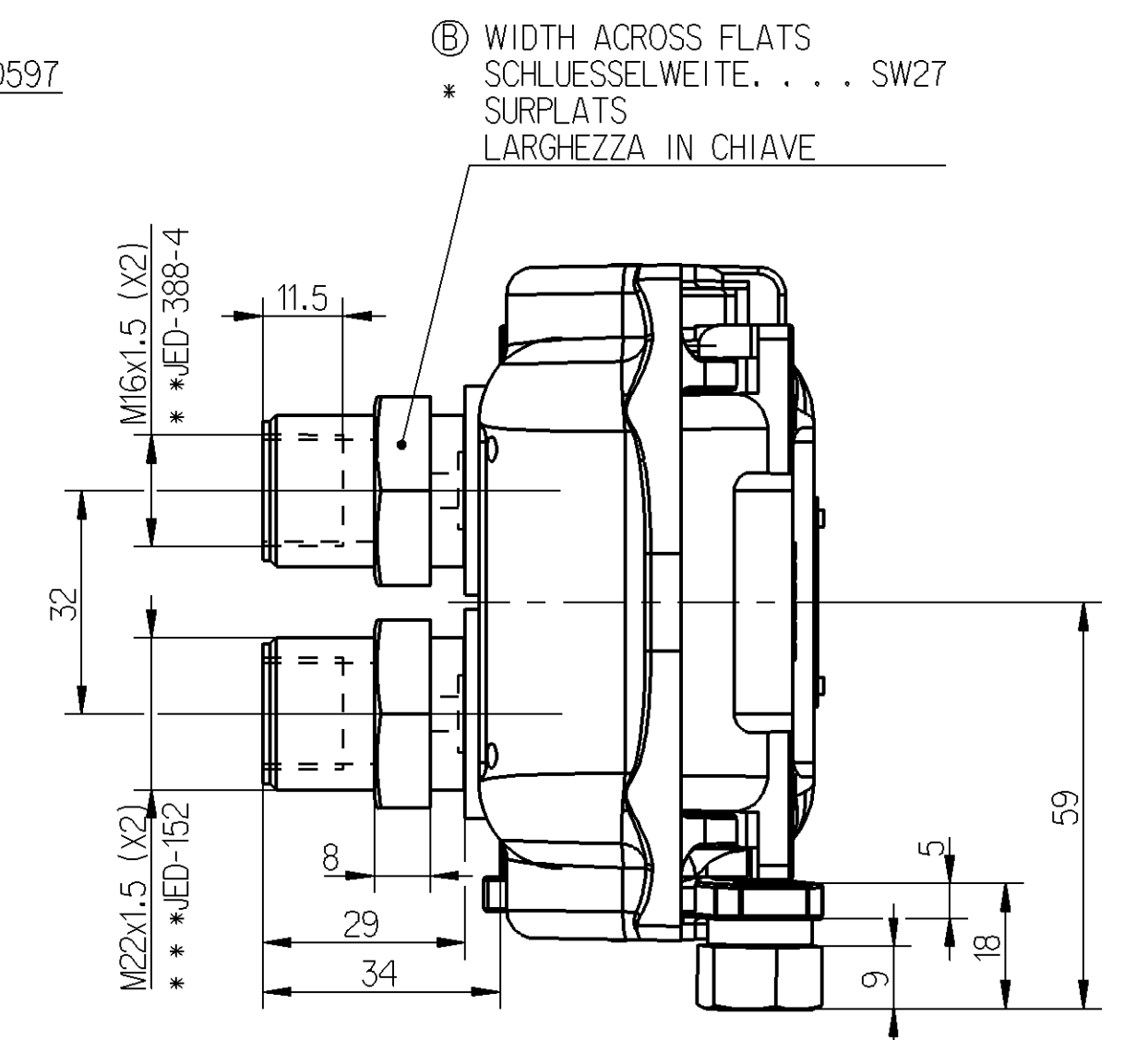
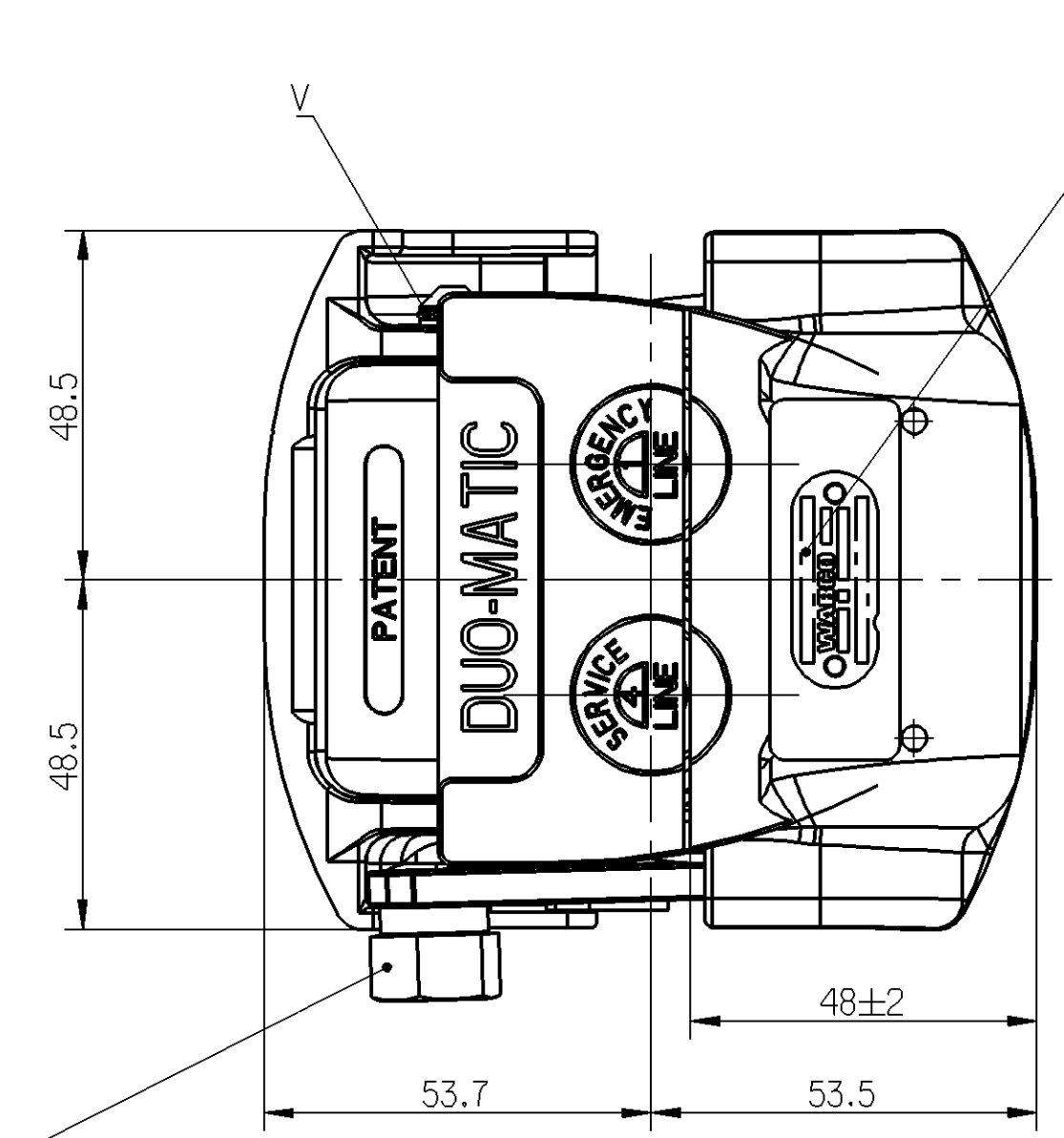
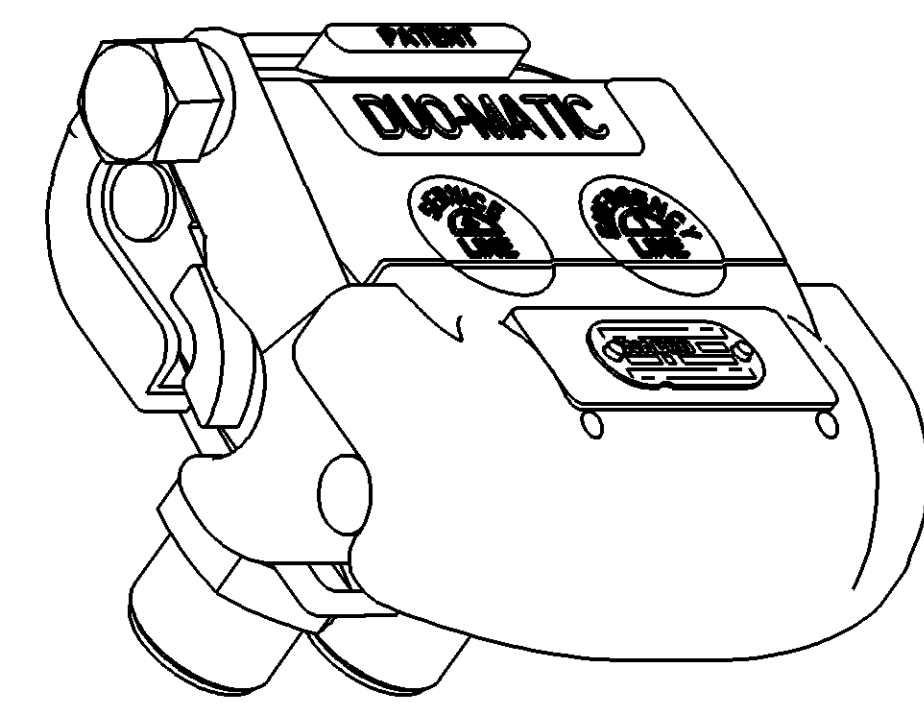
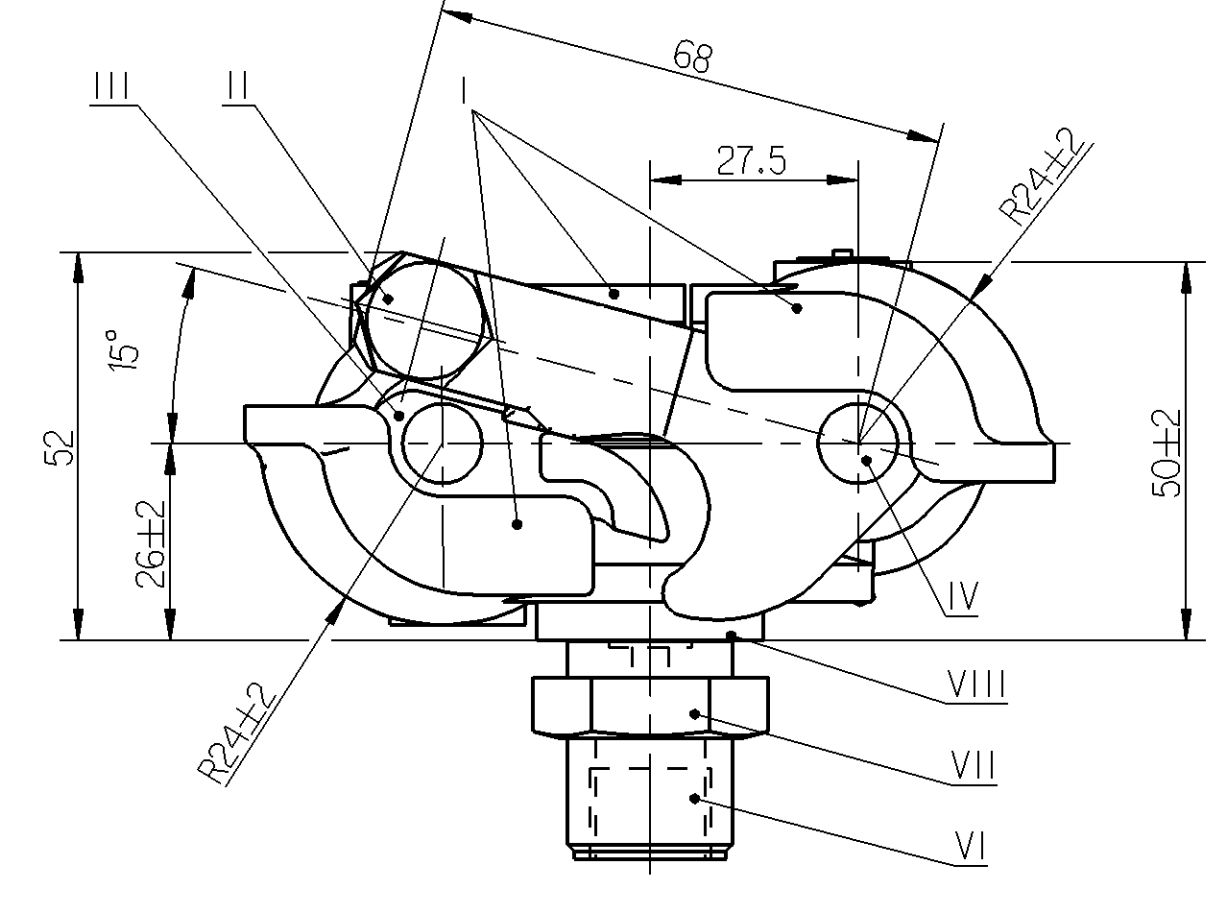
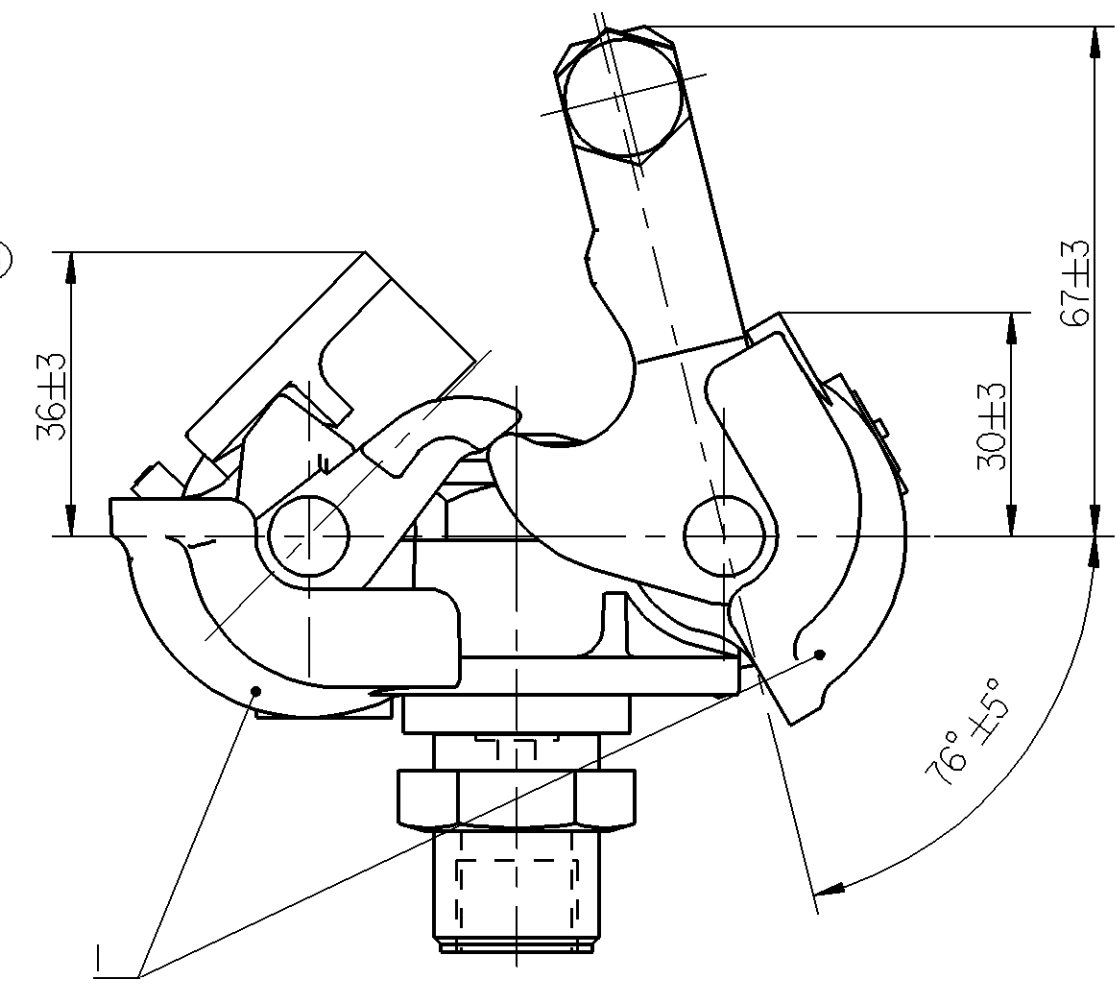


WORKING MEDIUM ARBEITSMEDIUM FLUIDE D'UTILISATION FLUIDO DI ESERCIZIO	AIR LUFT (JED-848) AIR ARIA	MATERIAL AND SURFACE PROTECTION
		I Al JED-029M1 C JED-259 II Fe JED-022M1 Zn/Fe JED-256-1 III Fe JED-004M C JED-260 IV Fe JED-020-1 Zn/Fe JED-256-1 V Fe JED-050MO --- VI Fe JED-020-1 Zn/Fe JED-256-1 VII Fe 14 H Zn/Al JED-378-4 VIII Fe JED-020-1 Zn/Fe JED-256-1
SHORT TERM RESISTANCE TO HEAT KURZZEITIGE WAERMEBESTAENDIGKEIT RESISTANCE THERMIQUE TEMPORAIRE RESISTENZA TERMICA PER BREVE PERIODO	MAX. 1h AT 110°C	
THERMAL RANGE OF APPLICATION THERMISCHER ANWENDUNGSBEREICH GAMME D'APPLICATION THERMIQUE CAMPO DI APLICAZIONE TERMICA	-40°C...+80°C	
WORKING PRESSURE (SUPPLY) BETRIEBSDRUCK (VORRAT) PRESSION DE SERVICE (ALIMENTATION) PRESSIONE DI ESERCIZIO (ALIMENTAZIONE)	10 BAR	
TORQUE ANZUGSMOMENT *(SW27) COUPLE DE SERRAGE COPPIA DI SERRAGGIO	45±5 Nm	
TORQUE ANZUGSMOMENT **(M16X1.5) COUPLE DE SERRAGE COPPIA DI SERRAGGIO	max.45 Nm	
TORQUE ANZUGSMOMENT *** (M22X1.5) COUPLE DE SERRAGE COPPIA DI SERRAGGIO	max.70Nm (EXCEPT SW27)	
SERVICE CONDITION BETRIEBSART CONDITION DE SERVICE CONDIZIONE DI SERVIZIO	CONTINUOUS SERVICE DAUERBETRIEB SERVICE CONTINU SERVIZIO CONTINUO	
MAINTENANCE REQUIREMENTS WARTUNGSANFORDERUNGEN ENTRETIEN MANUTENZIONE	NONE KEINE NON NON	
PORT FOR EMERGENCY ANSCHLUSS FUER VORRATSLEITUNG ORIFICE POUR LIGNE D'URGENCE ORIFIZIO PER LINEA D'EMERGENZA	1	
PORT FOR SERVICE LINE ANSCHLUSS FUER BREMSLEITUNG ORIFICE POUR SERVICE LIGNE ORIFIZIO PER SERVIZIO LINEA	4	



INSTALLATION POSITION RANGE
EINBAULAGEBEREICH MAX±30°
POSITION D'INSTALLATION GAMME
POSIZIONE DI MONTAGGIO CAMPO

SCALE 1:2

WIDTH ACROSS FLATS
SCHLUESSELWEITE . . SW16
SURPLATS
LARGHEZZA IN CHIAVE

Ⓢ WIDTH ACROSS FLATS
* SCHLUESSELWEITE . . . SW27
* SURPLATS
LARGHEZZA IN CHIAVE

Non è permesso copiare o riprodurre questo documento, né utilizzare il contenuto o i dati contenuti in esso, senza permesso scritto dalla WABCO. Toute réimpression ou reproduction de ce document, toute exploitation ou communication de son contenu sans l'autorisation écrite de la WABCO est formellement interdite. This document and its contents are the property of WABCO. Any use or communication of the contents hereof, any translation without express authority, copying or reproduction of this document without the written consent of WABCO are prohibited. All rights reserved. All trademarks are the property of their respective owners.

General Specifications: JED-334-0		Copyright WABCO®		WABCO	
Further Technical Data:		Date	Signature	QUICK COUPLING SCHNELLKUPPLUNG RACCORD RAPIDE ACCOPIAMENTO RAPIDO	
Doc. Code:	Sheet: To:	2011-12-01	Buczylo	Doc.Code	Language
General Tolerances JED-261		2011-12-15	Hlodik	005	ML
Range of Nominal Dimensions (± mm)		Expert		Date of first issue	
Class 1)	≤ 50 > 50 > 180 > 400	Buczylo		Sheet	
Fine	0.5 1.0 1.5 2.0	Material No.		1/1	
Medium	1.0 2.0 3.0 4.0	452 802 011 0		005 ML 1/1	
Coarse	2.0 3.5 5.0 6.5	Revision		Tech. Resp.	
Tapped Holes acc. JED-152		2 8		5711	
1) Tolerance Class Applied Crossmarked		Pro/E		884 012 507 0	