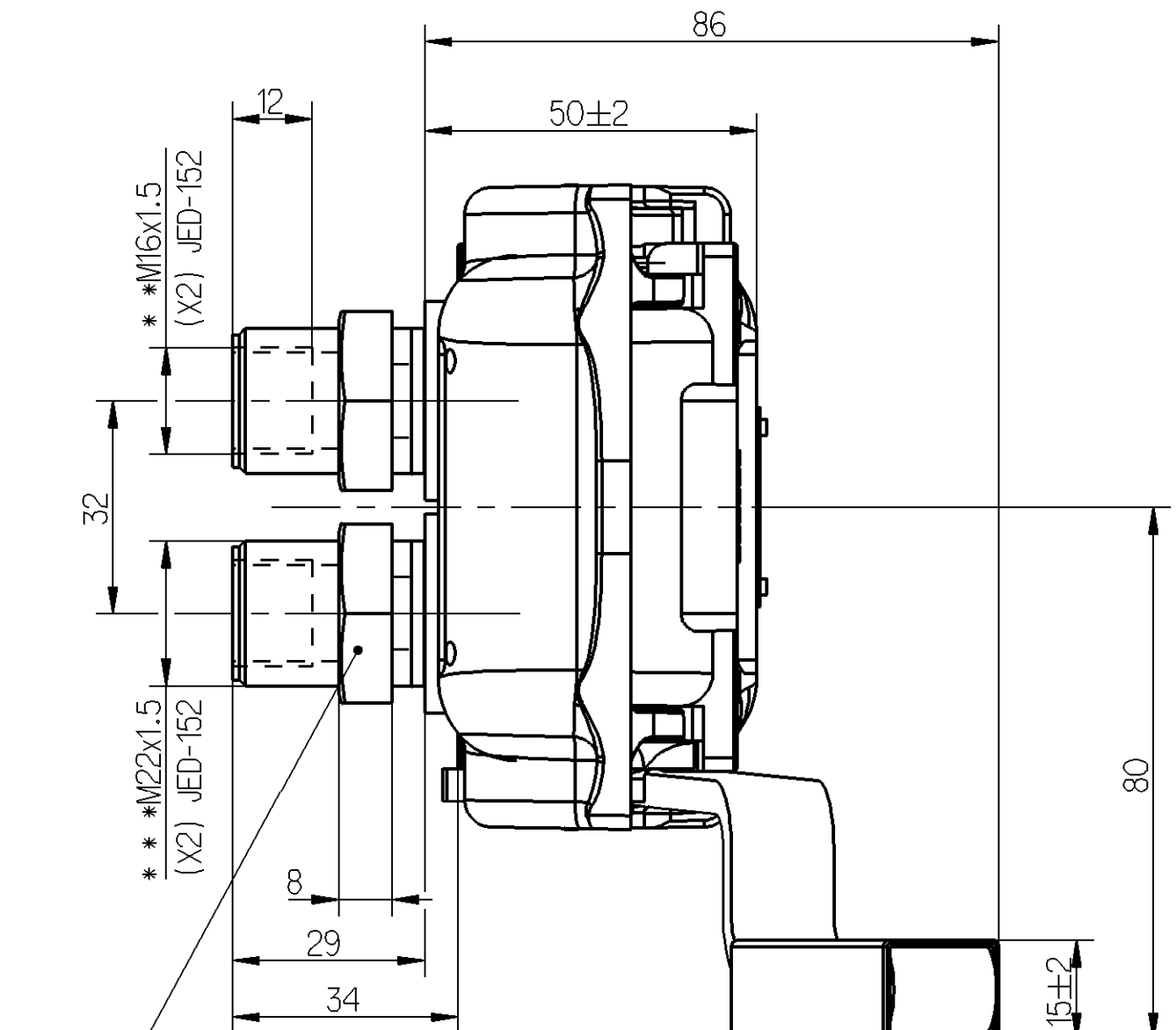
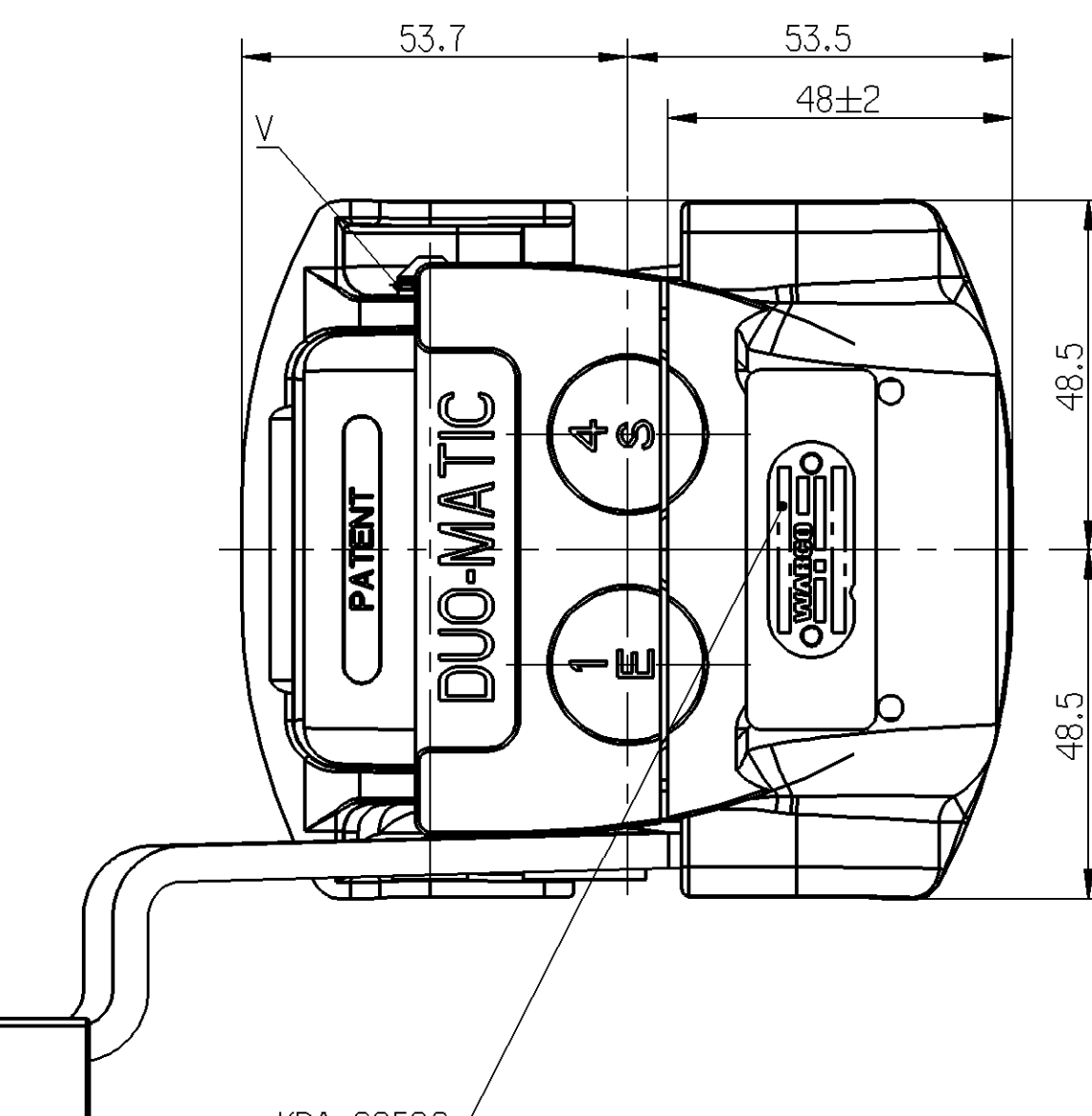
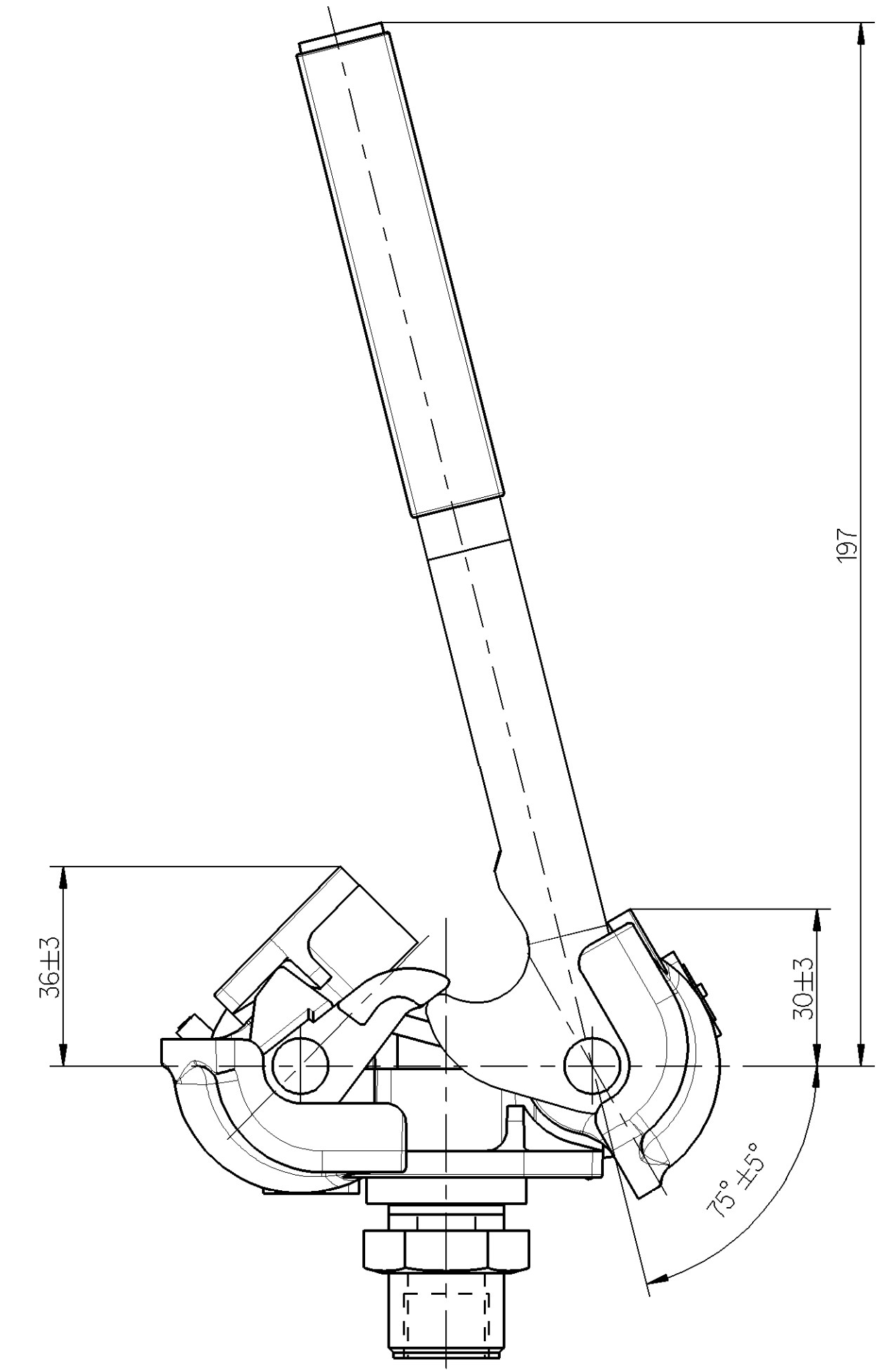
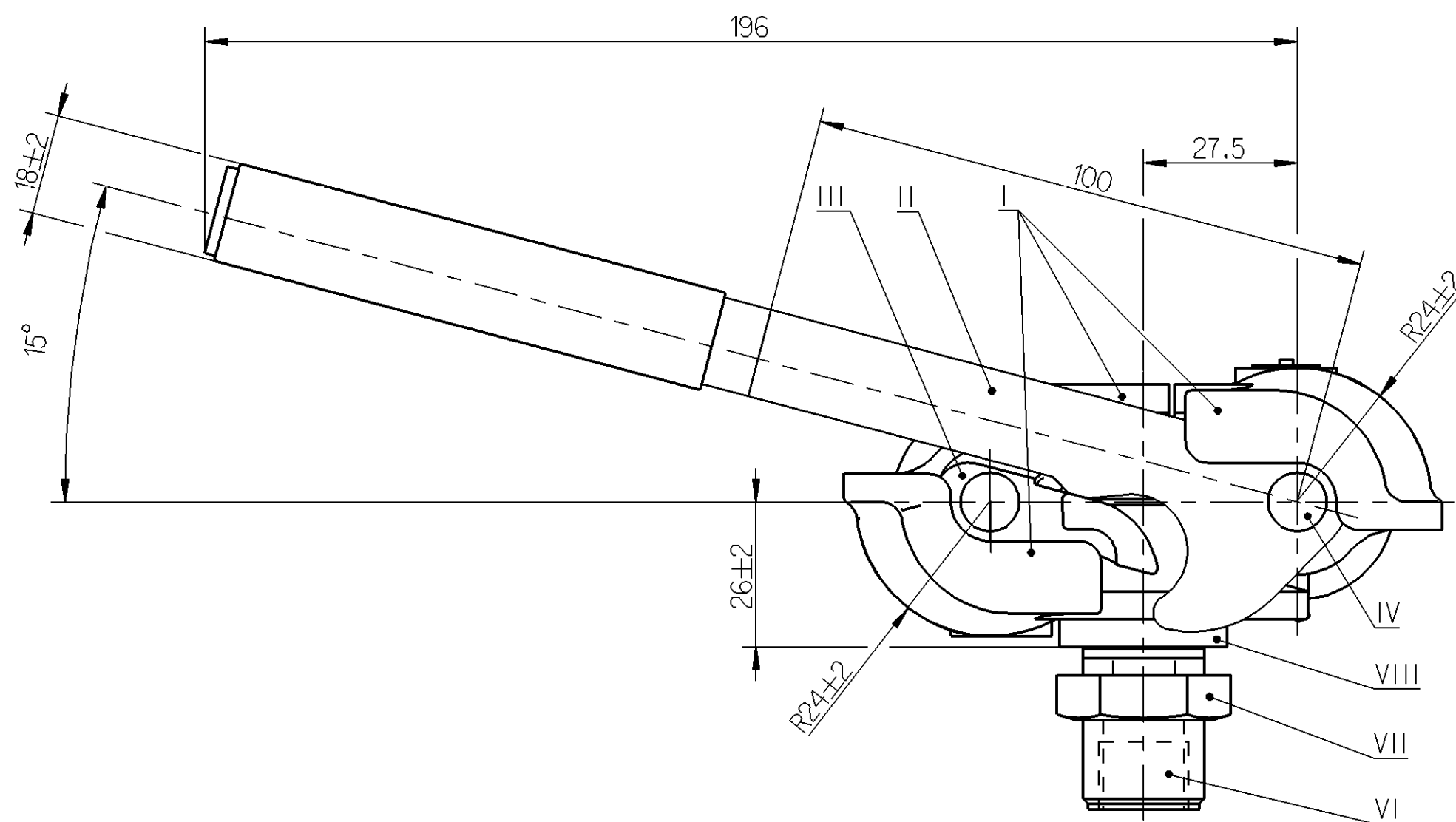
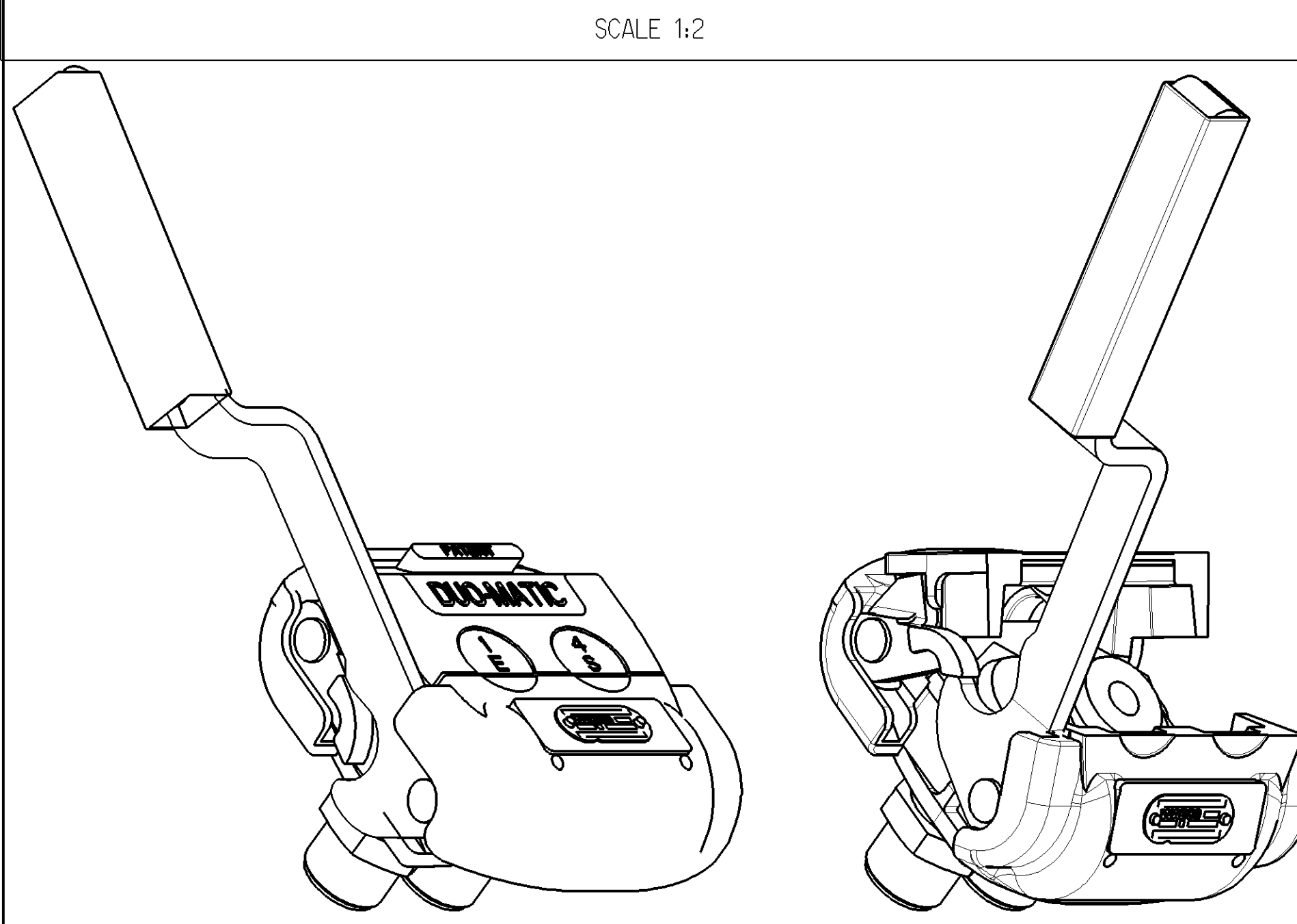
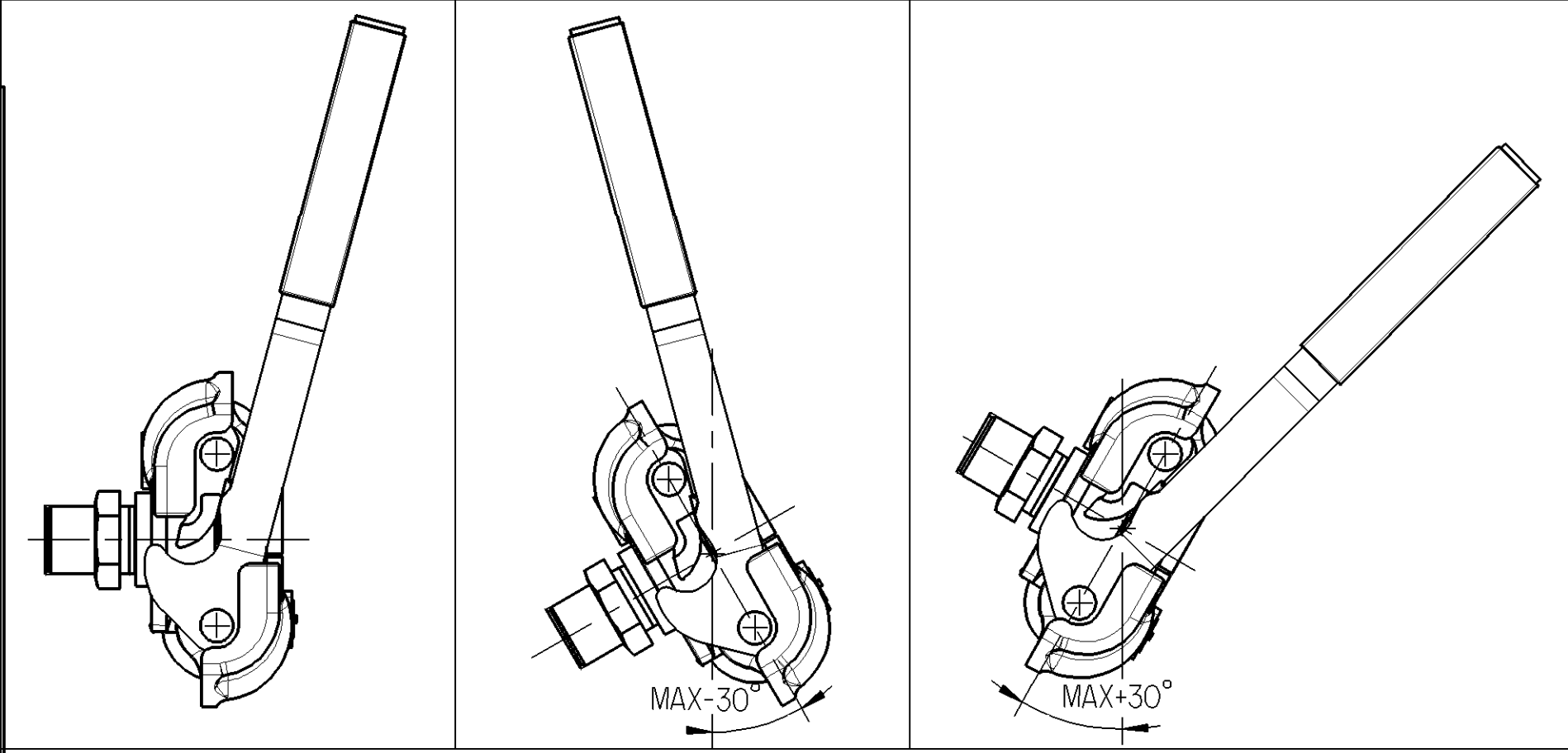


A	WORKING MEDIUM ARBEITSMEDIUM FLUIDE D'UTILISATION FLUIDO DI ESERCIZIO	AIR LUFT (JED-848) AIR ARIA	MATERIAL AND SURFACE PROTECTION
	SHORT TERM RESISTANCE TO HEAT KURZZEITIGE WAERMEBESTAENDIGKEIT RESISTANCE THERMIQUE TEMPORAIRE RESISTENZA TERMICA PER BREVE PERIODO	MAX. 1h AT 110°C	I Al JED-029M1 C JED-259 II Fe JED-022M1 Zn JED-256-4 III Fe JED-004M C JED-260 IV Fe JED-020-1 Zn/Fe JED-256-1 V Fe JED-050M0 --- VI Fe JED-020-1 Zn/Fe JED-256-1 VII Fe 14H Zn/Al JED-378-4 ① VIII Fe JED-020-1 Zn/Fe JED-256-1
	THERMAL RANGE OF APPLICATION THERMISCHER ANWENDUNGSBEREICH GAMME D'APPLICATION THERMIQUE CAMPO DI APLICAZIONE TERMICA	-40°C...+80°C	
B	WORKING PRESSURE (SUPPLY) BETRIEBSDRUCK (VORRAT) PRESSION DE SERVICE (ALIMENTATION) PRESSIONE DI ESERCIZIO (ALIMENTAZIONE)	10 BAR	
	TORQUE ANZUGSMOMENT *(SW27) COUPLE DE SERRAGE COPPIA DI SERRAGGIO	45±5 Nm	
	TORQUE ANZUGSMOMENT **(M16x1.5) COUPLE DE SERRAGE COPPIA DI SERRAGGIO	max.45 Nm	
C	TORQUE ANZUGSMOMENT *** (M22x1.5) COUPLE DE SERRAGE COPPIA DI SERRAGGIO	max.70Nm (EXCEPT SW27)	
	SERVICE CONDITION BETRIEBSART CONDITION DE SERVICE CONDIZIONE DI SERVIZIO	CONTINUOUS SERVICE DAUERBETRIEB SERVICE CONTINU SERVIZIO CONTINUO	
	MAINTENANCE REQUIREMENTS WARTUNGSANFORDERUNGEN ENTRETIEN MANUTENZIONE	NONE KEINE NON NON	
D	PORT FOR EMERGENCY ANSCHLUSS FUER VORRATSLEITUNG ORIFICE POUR LIGNE D'URGENCE ORIFIZIO PER LINEA D'EMERGENZA	1	
	PORT FOR SERVICE LINE ANSCHLUSS FUER BREMSLEITUNG ORIFICE POUR SERVICE LIGNE ORIFIZIO PER SERVIZIO LINEA	4	

I	Al JED-029M1	C JED-259
II	Fe JED-022M1	Zn JED-256-4
III	Fe JED-004M	C JED-260
IV	Fe JED-020-1	Zn/Fe JED-256-1
V	Fe JED-050M0	---
VI	Fe JED-020-1	Zn/Fe JED-256-1
VII	Fe 14H	Zn/Al JED-378-4 ①
VIII	Fe JED-020-1	Zn/Fe JED-256-1



INSTALLATION POSITION RANGE
EINBALLGEBEREICH MAX±30°
POSITION D'INSTALLATION GAMME
POSIZIONE DI MONTAGGIO CAMPO



KBA 60596

* WIDTH ACROSS FLATS
① SCHLUESSELWEITE SW27
SURPLATS
LARGHEZZA IN CHIAVE

General Specifications: JED-334-0		Copyright WABCO®		WABCO	
Further Technical Data:		Date	Signature	Doc. Code Language Sheet	
Doc. Code: _____ Sheet: _____ To: _____		2011-12-02	Balogh	005 ML 1/1	
General Tolerances JED-261		Checked	Hlodik	Date of first issue: _____	
Range of Nominal Dimensions (± mm)		Expert		Doc. Code Language Sheet	
		BUCZYKO		005 ML 1/1	
Class 1) ≤ 50 > 50 > 180 > 400 > 400		Material No.		Date of first issue: _____	
Fine 0,5 1,0 1,5 2,0		452 803 005 0		005 ML 1/1	
Medium X 1,0 2,0 3,0 4,0		Revision		Tech. Resp.	
Coarse 2,0 3,5 5,0 6,5		2 0		5711	
Tapped Holes acc. JED-152		Pro/E		Replacement for	
1) Tolerance Class Applied Crossmarked		155975		100mm	