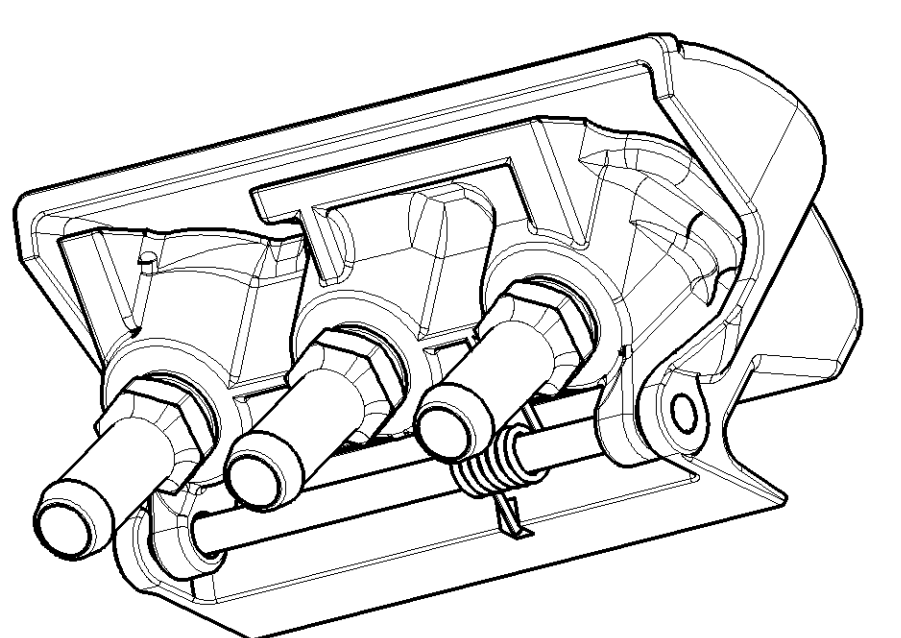
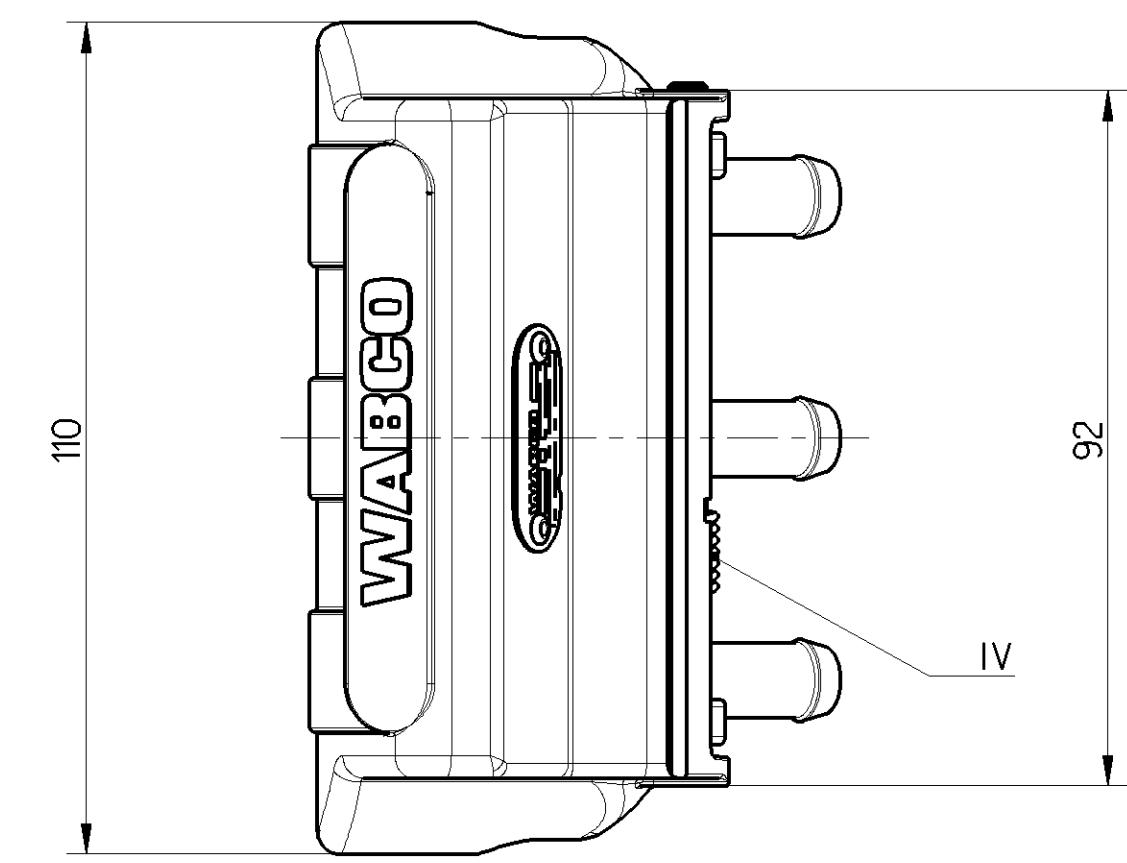
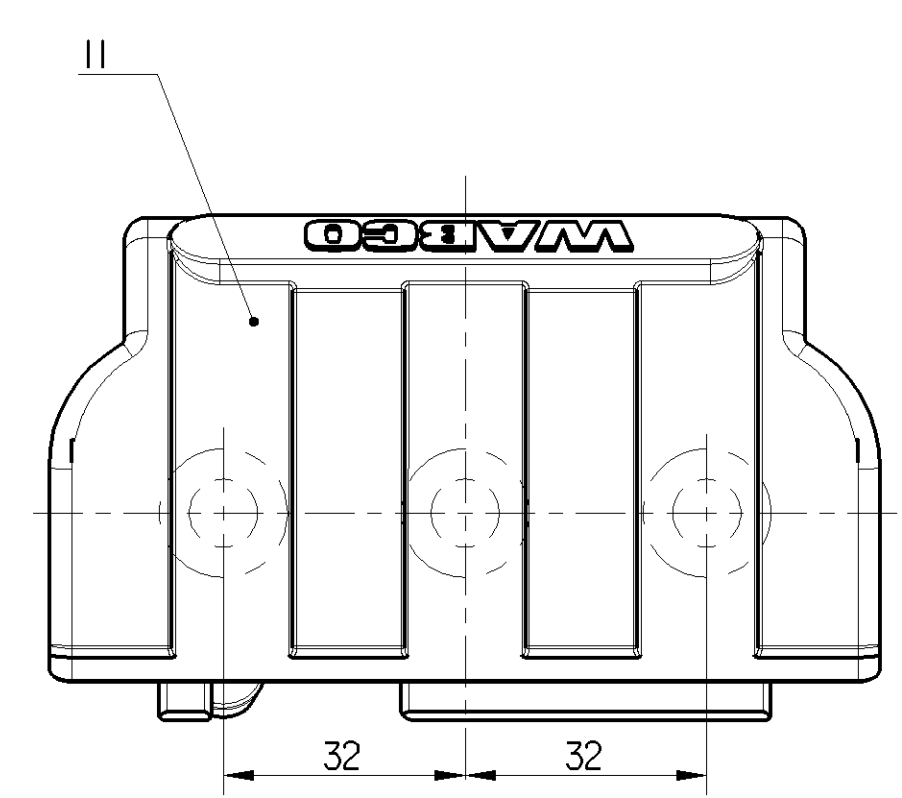
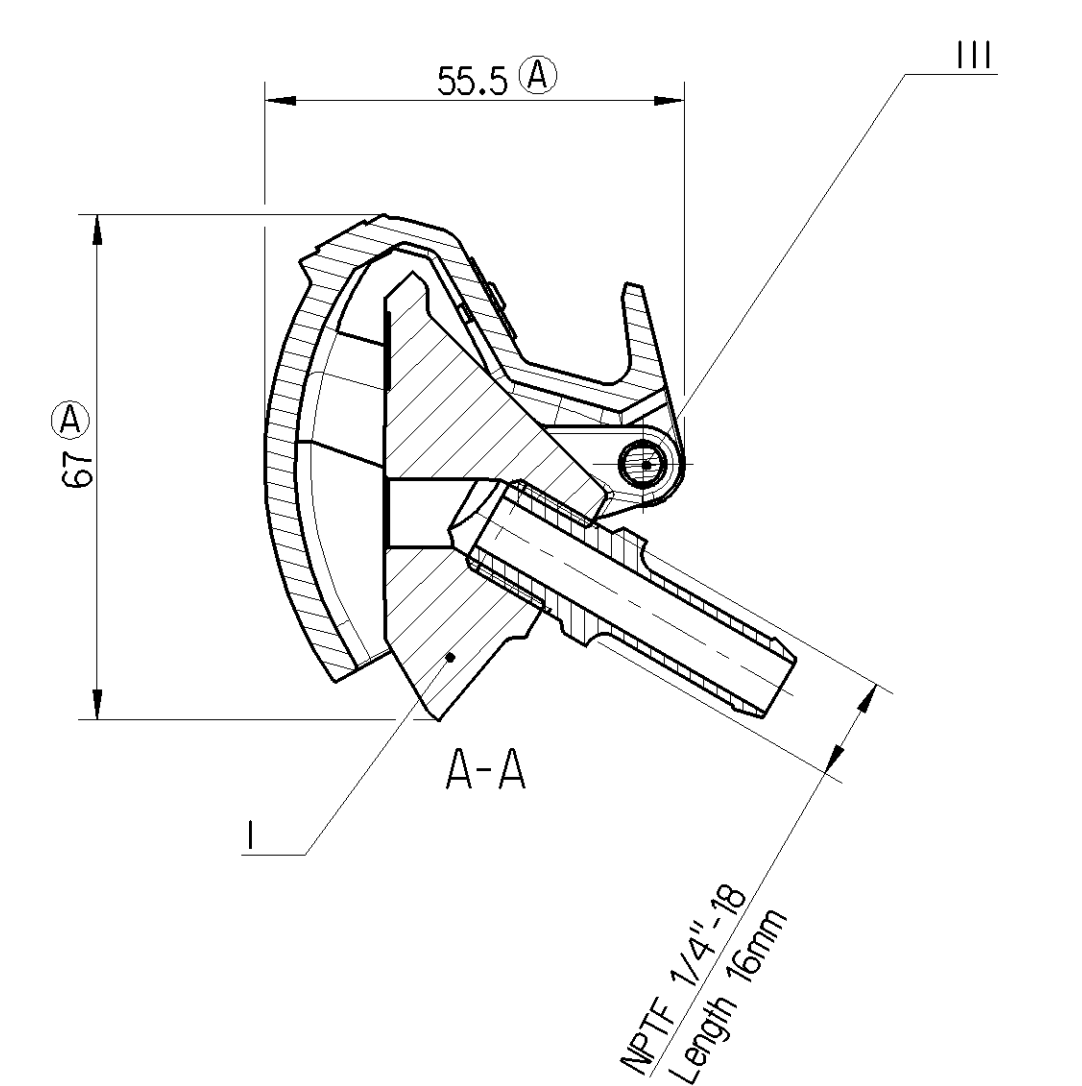
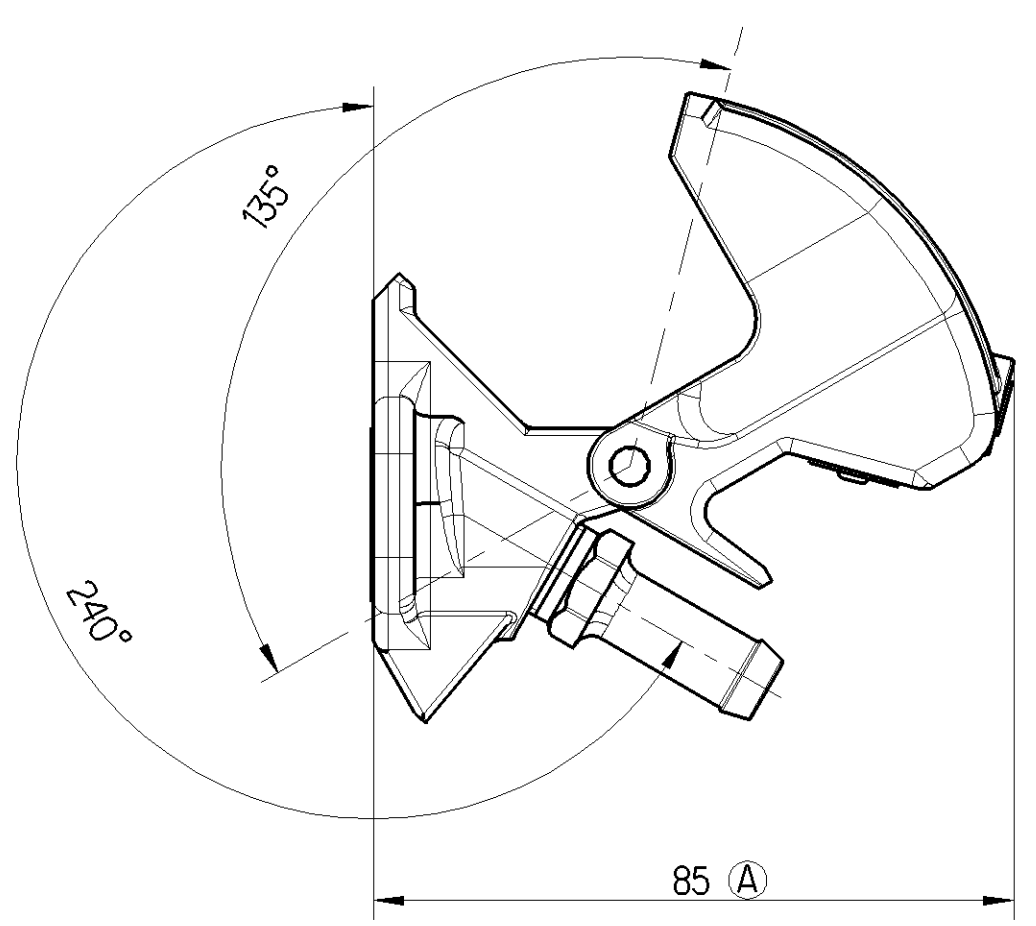


Non è permesso consegnare o terzi o riprodurre questo documento, né utilizzare il contenuto o renderlo comunque noto a terzi.
 E' vietata espressamente la ristampa, la traduzione, la riproduzione, la diffusione o l'uso in qualsiasi modo.
 E' vietata espressamente la ristampa, la traduzione, la riproduzione, la diffusione o l'uso in qualsiasi modo.
 Copying of this document and giving it to others and the use or communication of the contents thereof, are forbidden without express
 permission of the manufacturer. The manufacturer's name and the name of the product are reserved in the event of the grant of patent or registration of a utility model or design. This document is the subject of copyright.

Toute communication ou reproduction de ce document, toute exploitation ou communication de son contenu sont interdites, sauf
 autorisation expresse. Toute réimpression ou autre réimpression ou autre utilisation sans autorisation est formellement interdite.
 Weitergabe sowie Vervielfältigung dieser Unterlagen, Verwertung und Mitteilung ihres Inhalts nicht gestattet, soweit
 nicht ausdrücklich zugelassen. Zuwiderhandlungen stellen einen strafrechtlichen Missbrauch dar und verpflichten zu Schadensersatz.
 Alle Rechte für den Fall der Patentierung oder Gebrauchsmuster-Eintragung vorbehalten.

MATERIAL AND SURFACE PROTECTION		
I	JED-O29M1	JED-259
II	JED-O29M1	JED-259
III	JED-O20M1	JED-256-4
IV	JED- O50MO	-

WORKING MEDIUM	AIR (JED-848)
SHORT TERM RESISTANCE TO HEAT	MAX. 1h AT 110°C
THERMAL RANGE OF APLICATION	-40°C...+80°C
WORKING PRESSURE (SUPPLY)	10 BAR



General Specification: JED-334-O, Size ISO 14405-1 E				Copyright WABCO®		WABCO		
Further Technical Data:				Date	Signature	QUICK COUPLING		
Doc. Code:		Sheet: To		2014-09-09	Drawn	Piskadlo		
General Tolerances JED-261				Checked		2014-09-09		
Range of Nominal Dimensions (± mm)				Expert		Szyszka		
Class	1)	≤ 50	> 50 ≤ 180	> 180 ≤ 400	> 400	Piskadlo		
Fine		0.5	1.0	1.5	2.0	Material No.		
Medium	X	1.0	2.0	3.0	4.0	Date of first issue: 2014-06-10		
Coarse		2.0	3.5	5.0	6.5	Doc. Code Language Sheet		
Tapped Holes acc. -				Mkss		Scale		005 EN 1/1
1) Tolerance Class Applied Crossmarked				Size		CAD System		452 808 002 0
				A 2		Pro/E		ECN-No. Revision Techn. Resp.
				163877		3x A		5711
								Replacement for
								-

100mm