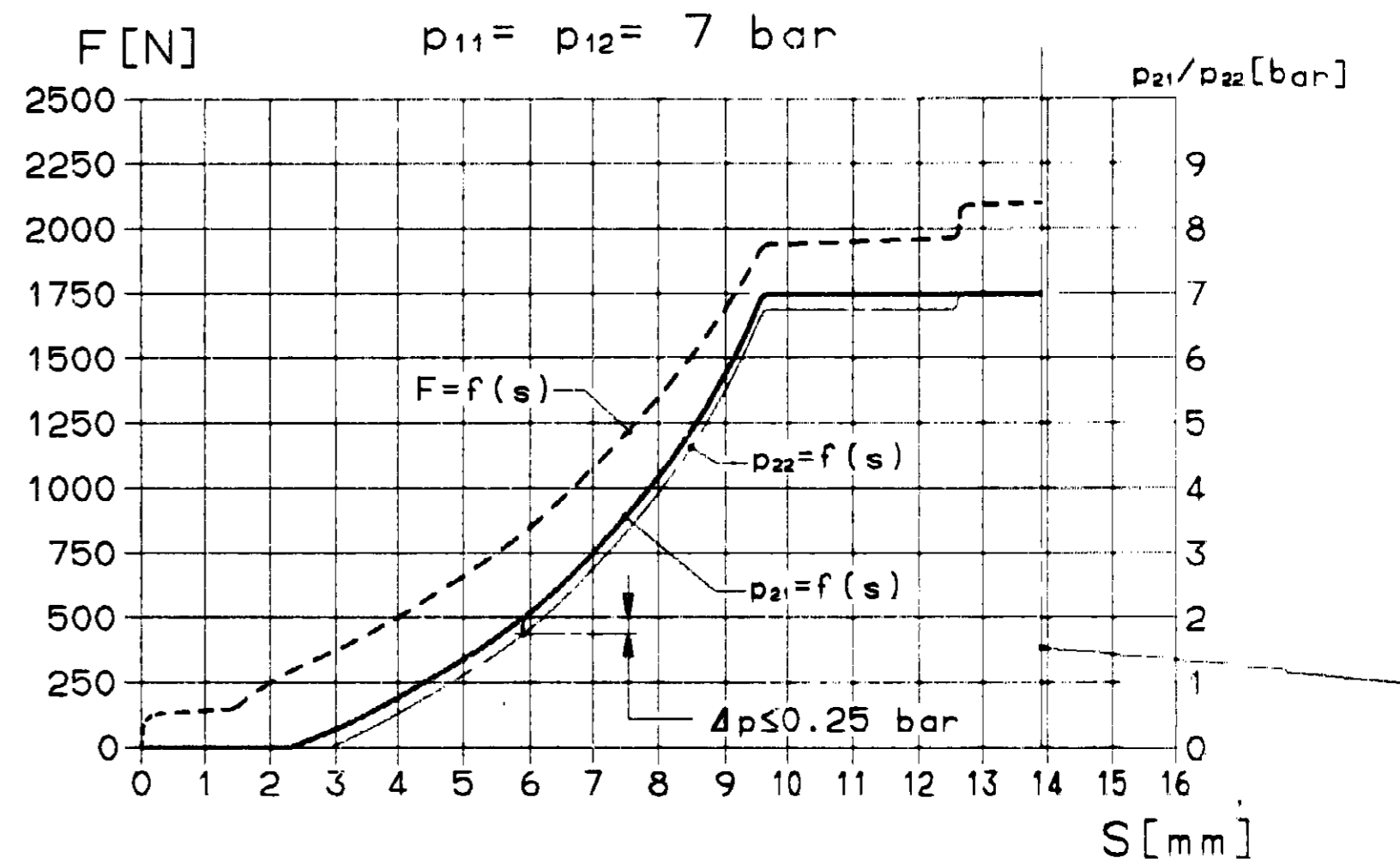
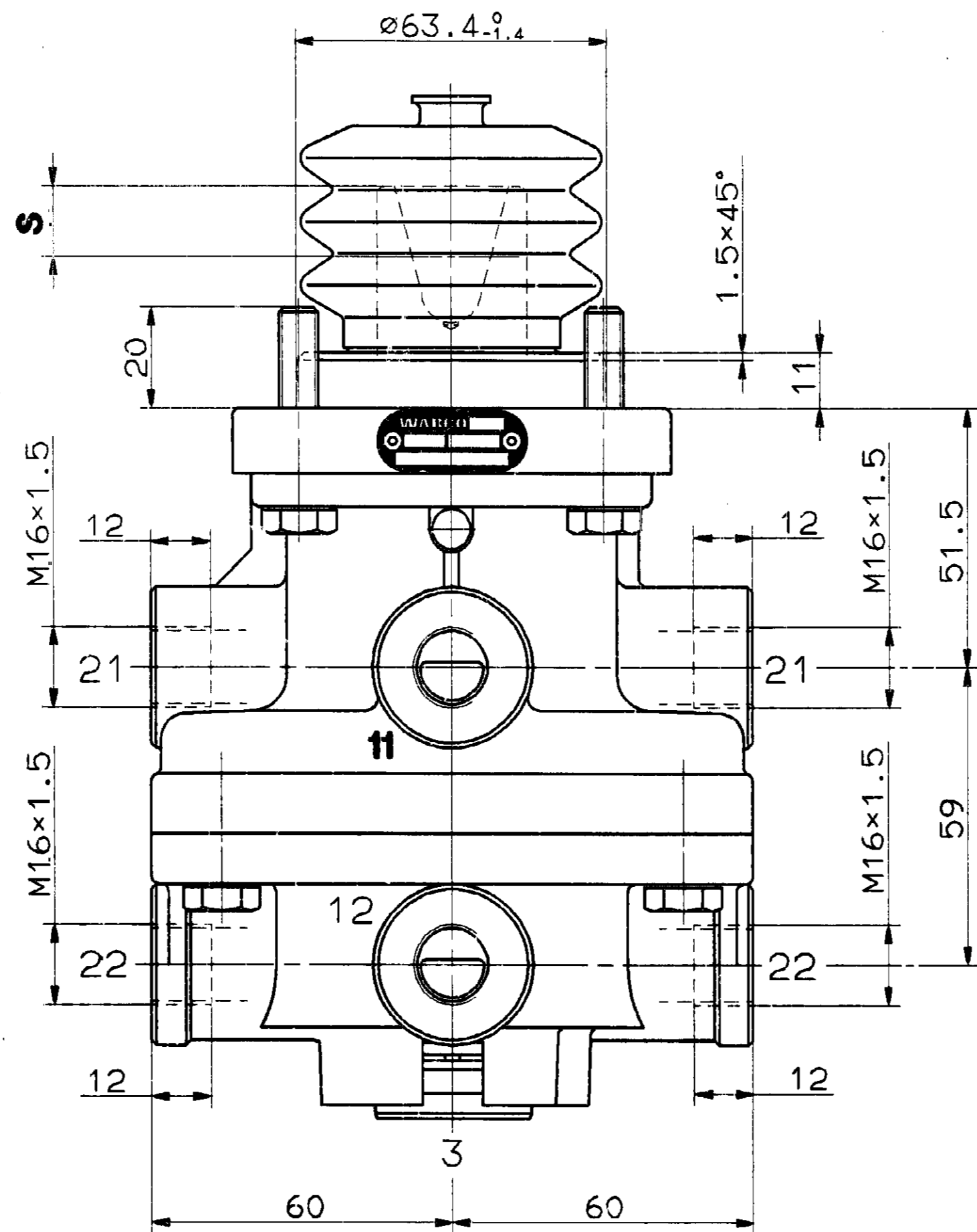
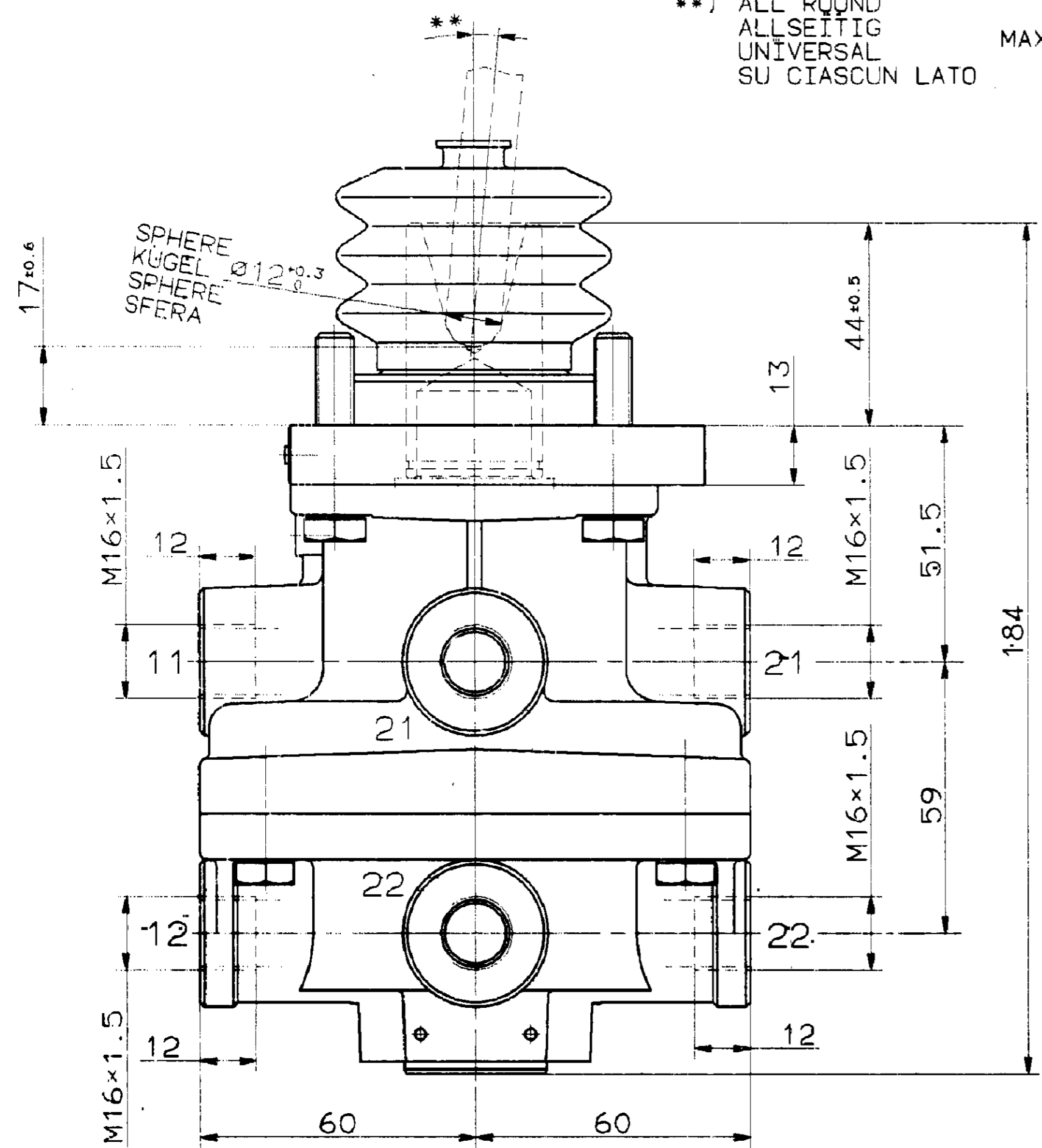


***) ALL ROUND
ALLSEITIG
UNIVERSAL
SU CIASCUN LATO
MAX. 5°



AT FAILURE CIRCUIT 1 : NECESSARY COURSE
BEI AUSFALL KREIS 1 : ERFORDERLICHER WEG
EN CAS DE DEFAILLANCE : COURSE NECESSAIRE
CIRCUIT 1
IN CASO DI DIFETTO : CORSA NECESSARIA
CIRCUITI 1

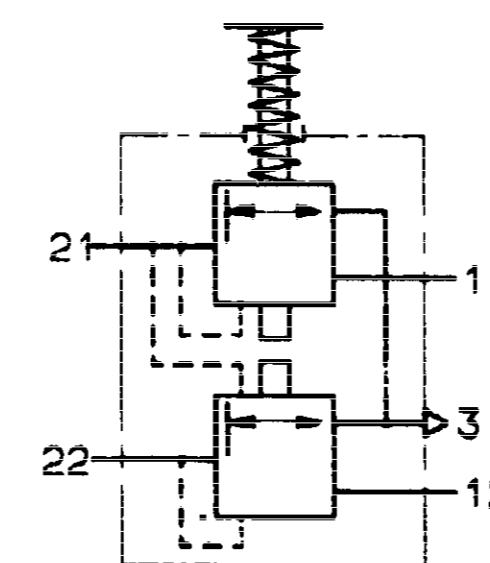
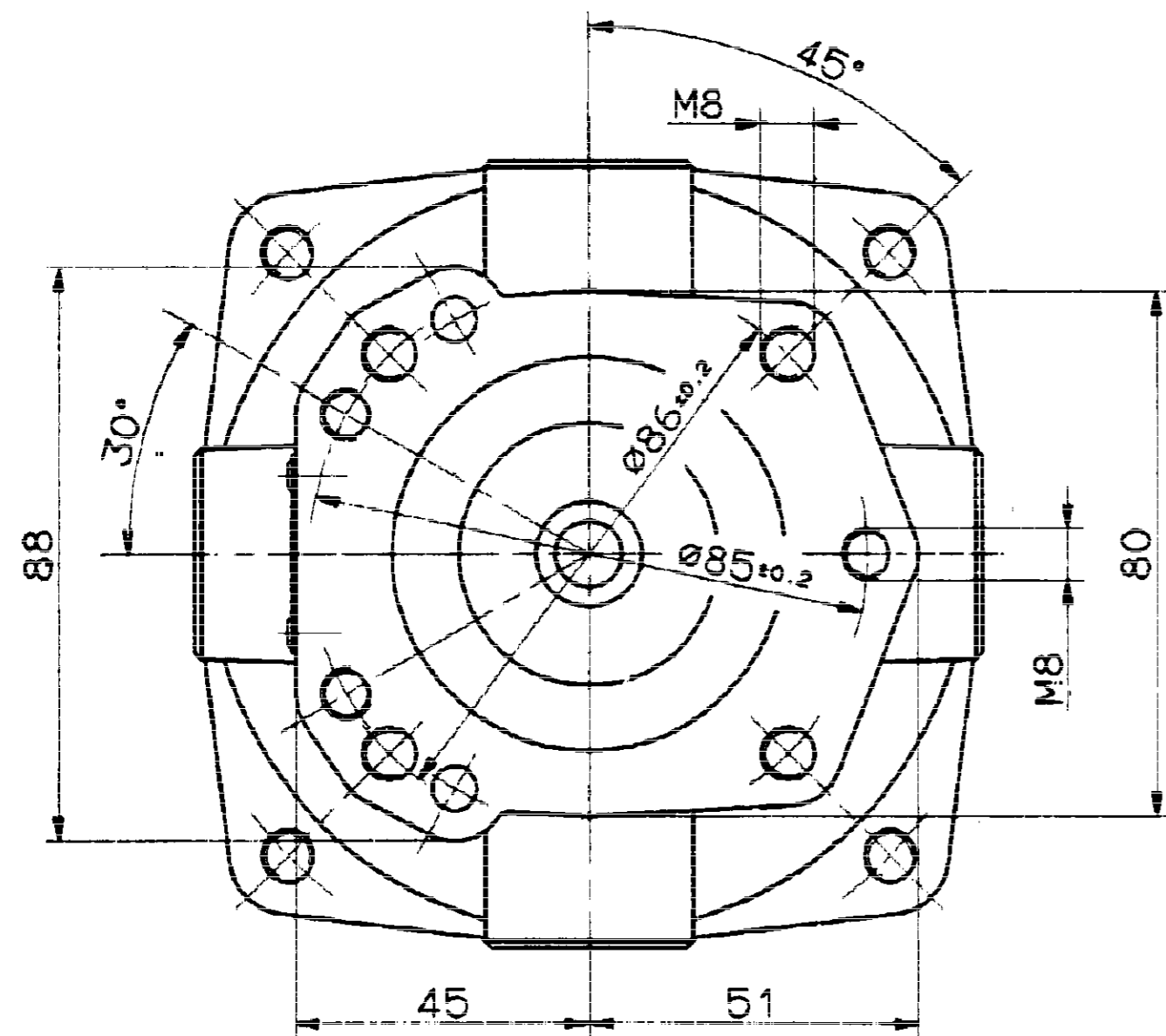
11/12 SUPPLY VORRAT ALIMENTATION ALIMENTAZIONE
21/22 OUTLET AUSGANG SORTIE USCITA
3 EXHAUST ENTLUEFTUNG ECHAPPEMENT SCARICO

MEDIUM: AIR
MEDIUM: LUFT
FLUIDE: AIR
FLUIDO: ARIA
NOMINAL DIAMETER :
NENNWEITE
DIAMETRE NOMINAL : 113 mm² ∅12
DIAMETRO NOMINALE:

MAX. WORKING PRESSURE :
MAX. BETRIEBSDRUCK
PRESSION D'UTILISATION MAXI : p_e = 8 bar
PRESSIONE DI ESERCIZIO MAX. :

THERMAL RANGE OF APPLICATION :
THERM. ANWENDUNGSBEREICH
GAMME D'APPLICATION THERMIQUE : -40°C...+80°C
CAMPO DI APPLICAZIONE TERMICA :

INSTALLATION POSITION; EXHAUST SHOWN AT BASE (AXIS CENTRE OF THE DEVICE DEVIATES MAX. 90° FROM THE VERTICAL)
EINBAULAGE; ENTLUEFTUNG NACH UNTEN (MITTELACHSE DES GERÄTES MAX. 90° VON DER SENKRECHTEN ABWEICHEND)
POSITION D'INSTALLATION; ECHAPPEMENT VERS LE BAS (ECART DE L'AXE MEDIAN DE L'APPAREIL PAR RAPPORT A LA VERTICALE: 90° MAX.)
POSIZIONE DI MONTAGGIO; SCARICO VERSO IL BASSO (DEVIAZIONE ASSE APPARECCHIO RISPETTO ALLA VERTICALE: MAX. 90°)



FURTHER TECHNICAL DATA SEE				COPYRIGHT		WABCO		GLAYTON BEWANDRE	
IDENTIFICATION NO.:				DATE		SIGNATURE			
CODE FOR DOCUMENT: 605 SHEET: TO				88-10-14		M. SCF		BRAKE VALVE	
GENERAL TOLERANCES				CHECKED		88-10-14		MOTORWAGEN-BREMSENVENTIL	
CLASS				STANDARDIZATION		88-10-14		ROBINET DE FREINAGE	
RANGE OF NOMINAL DIMENSIONS (± mm)				PANTZER		88-10-14		DISTRIBUTORE DI COMANDO	
CLASS				MASS		SCALE		PRODUCT IDENTIFICATION NO.	
I				2.15		1:1		461 307 346 0	
II				1.0		1:1		605	
III				2.0		1:1		518	
TAPPED HOLES ACC. ISO 4039 / JED-182				030607		1 = B		86-12-09	
1) TOLERANCE CLASS APPLIED CROSSHATCHED				DON-NO.		REV.		DATE	
				A		140		518	
				EXPERT CODE		7336		010X	