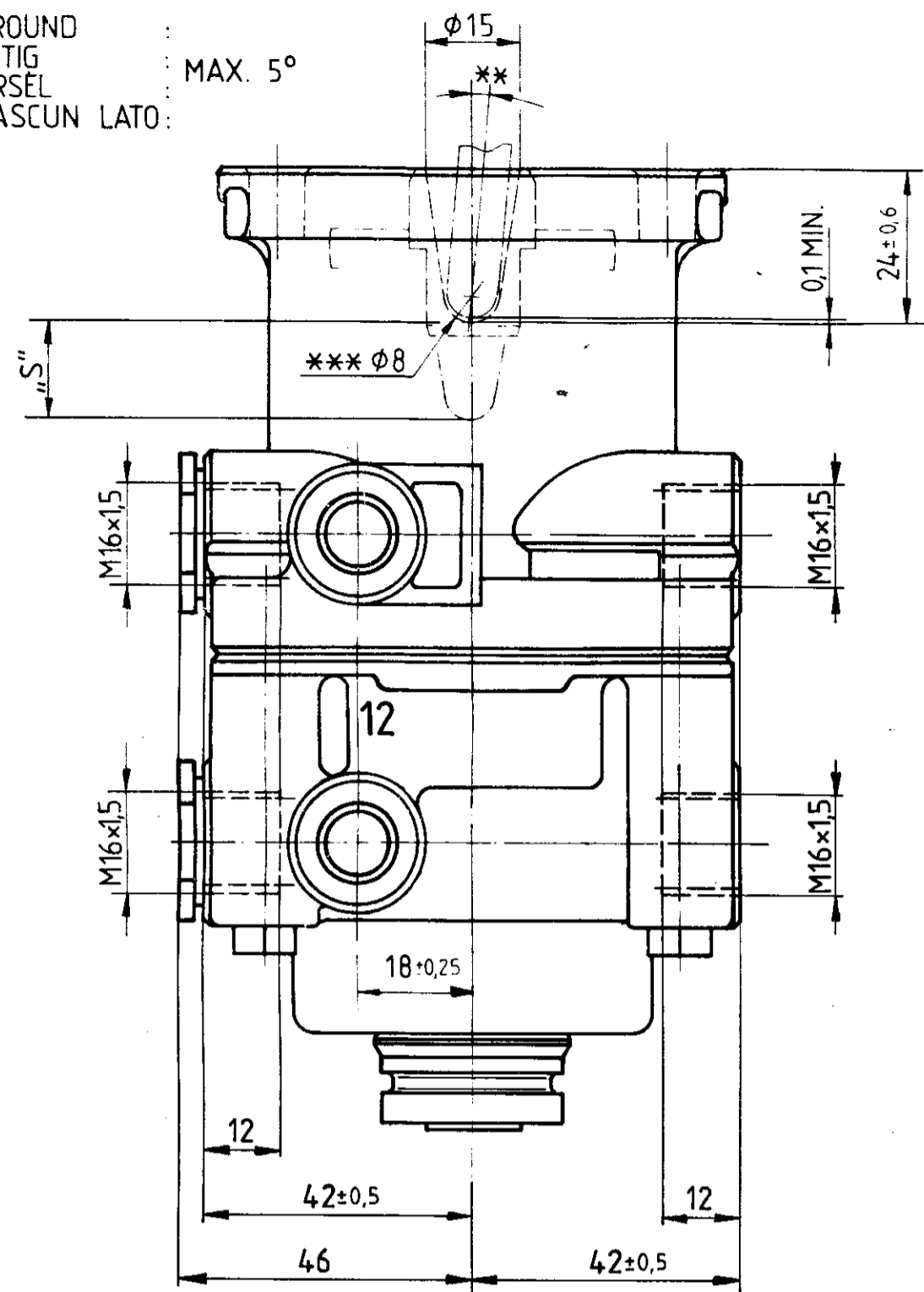
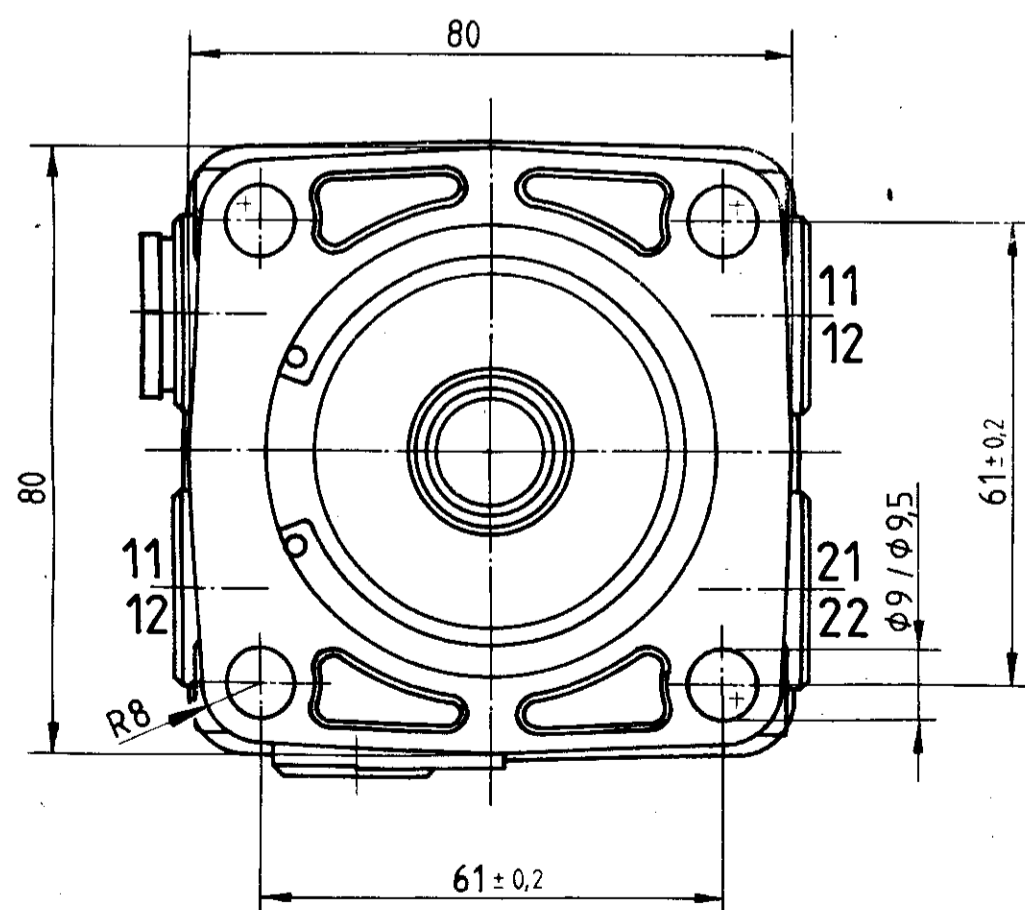


***) ALL ROUND
ALLSEITIG
UNIVERSEL
SU CIASCUN LATO:



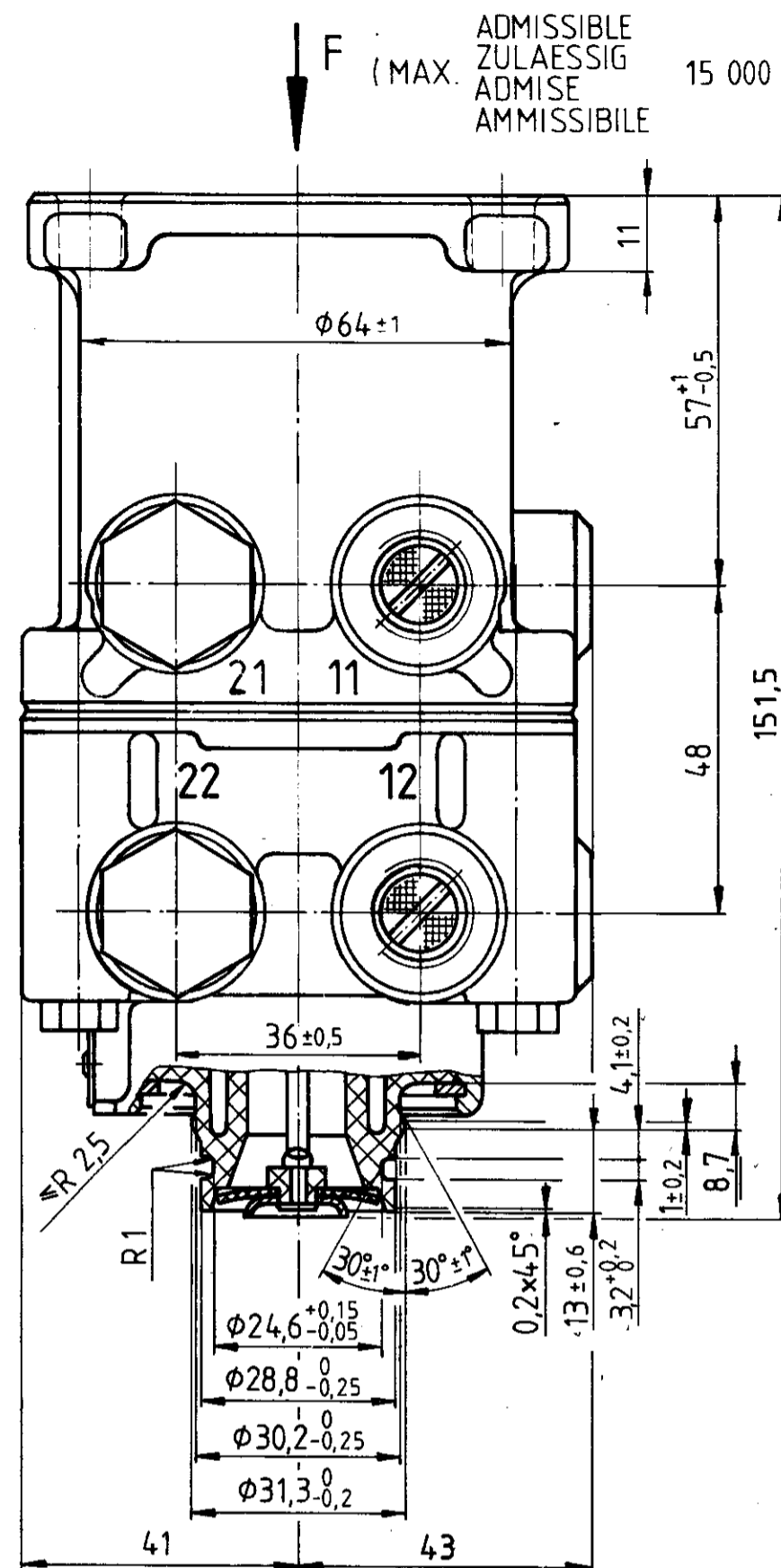
***) SPHERE
KUGEL
SPHERE
SFERA

*) STOP WITHIN THE DEVICE ADMISSIBLE
ANSCHLAG IM GERAET ZULAESSIG
BUTEE DANS L'APPARAT ADMISSE
ARRESTO NEL APPARATO AMMISSIBILE



INSTALLATION POSITION: EXHAUST SHOWN AT BASE (AXIS CENTRE OF THE DEVICE DEVIATES MAX. 90° FROM VERTICAL)
EINBAULAGE: ENTLUEFTUNG NACH UNTEN (MITTELACHSE DES GERAETES MAX. 90° VON DER SENKRECHTEN ABWEICHEND)
POSITION D'INSTALLATION: ECHAPPEMENT VERS LE BAS (ECART DE L'AXE MEDIAN DE L'APPAREIL PAR RAPPORT A LA VERTICALE: 90° MAX.)
POSIZIONE DI MONTAGGIO: SCARICO VERSO IL BASSO (DEVIAZIONE ASSE APPARECCHIO RISPETTO ALLA VERTICALE: MAX. 90°)

F (MAX. 15 000 N)
ADMISSIBLE ZULAESSIG
ADMISE AMMISSIBILE



11/12: SUPPLY
VORRAT
ALIMENTATION
ALIMENTAZIONE

21/22: OUTLET
AUSGANG
SORTIE
USCITA

3: EXHAUST
ENTLUEFTUNG
ECHAPPEMENT
SCARICO

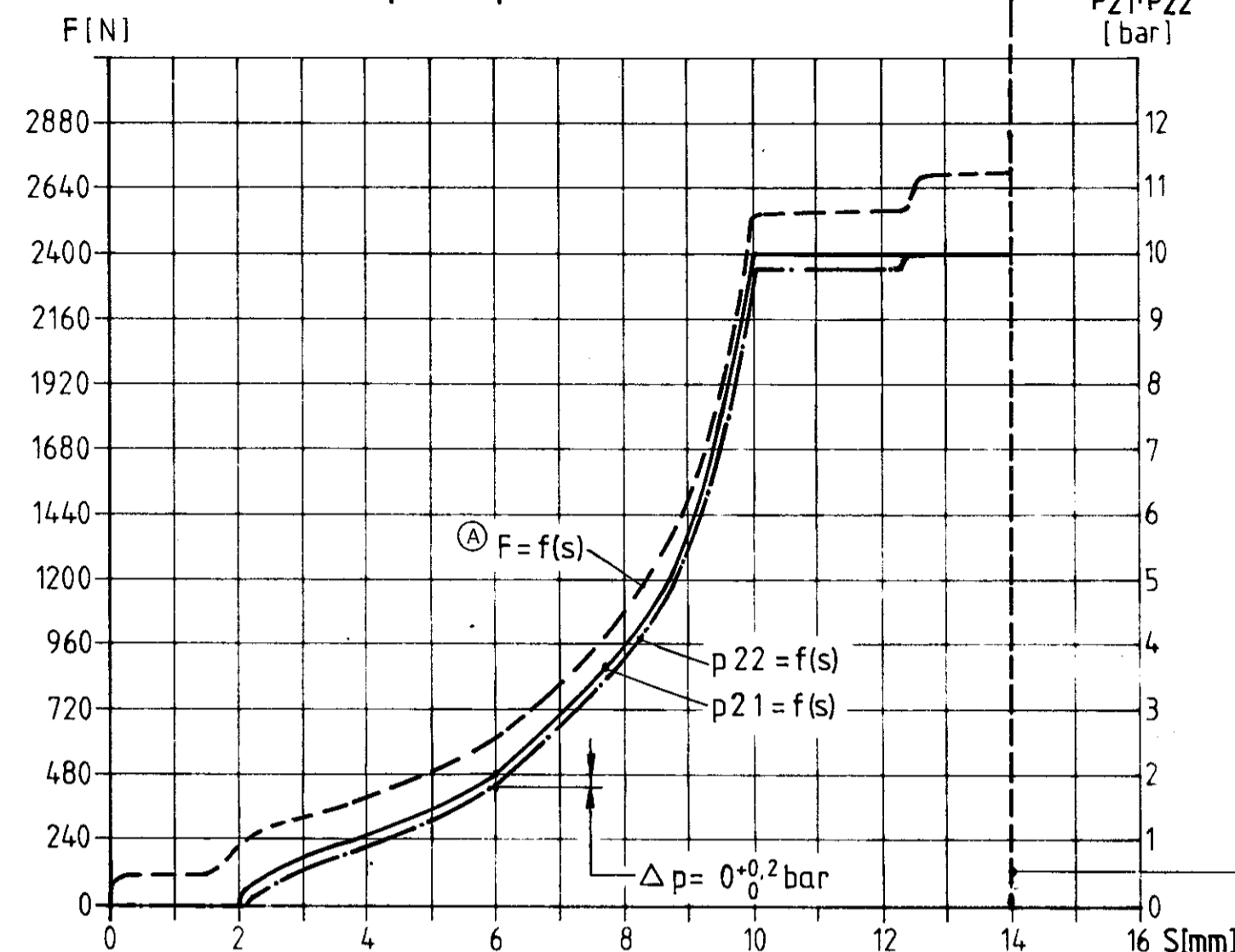
MEDIUM: AIR
MEDIUM: LUFT
FLUIDE: AIR
FLUIDO: ARIA

MAX. WORKING PRESSURE
MAX. BETRIEBSDRUCK
PRESSION D'UTILISATION MAXI
PRESSIONE DI ESERCIZIO MAX
pe=10 bar

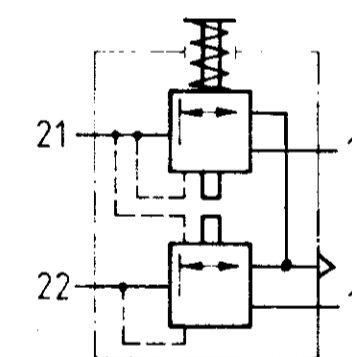
NOMINAL DIAMETER
NENNWEITE
DIAMETRE NOMINAL
DIAMETRO NOMINALE
78,5 mm² ≅ φ10

THERMAL RANGE OF APPLICATION
THERMISCHER ANWENDUNGSBEREICH
GAMME D'APPLICATION THERMIQUE
CAMPO DI APPLICAZIONE TERMICA
-40°C ... +80°C

p11 = p12 = 10 bar



AT FAILURE CIRCUIT 1
NECESSARY COURSE S ≥ 14 mm
NECESSARY FORCE F = 4100 N
BE AUSFALL KREIS 1
ERFORDERLICHER WEG S ≥ 14 mm
ERFORDERLICHE KRAFT F = 4100 N
EN CAS DE DEFAILLANCE
CIRCUIT 1
COURSE NECESSAIRE S ≥ 14 mm
FORCE NECESSAIRE F = 4100 N
IN CASO DI DIFETTO
CIRCUIT 1
CORSA NECESSARIA S ≥ 14 mm
FORZA NECESSARIA F = 4100 N



GENERAL TOLERANCES					
CLASS	RANGE OF NOMINAL DIMENSIONS (± mm)				FORCE POWER PRESSURE ETC (%)
	0	≤ 50	≤ 100	> 100	
I	0.5	1	1.5	2	5
II	X	1	2	3	10
III	2	3.5	5	6.5	20

COPYRIGHT BY WABCO		WABCO	
DATE	SIGNATURE	DUAL BRAKE VALVE	
86-07-08	<i>Giuse</i>	ROBINET DE FREINAGE DOUBLE	
CHECKED		DISTRIBUTORE DI COMANDO DOPPIO	
86-07-08	<i>Robi</i>	MOTWGN - BREMSVENTIL, ZWEIKR.	
STANDARDIZATION		IDENTIFICATION	
86-07-10		MASS	SCALE
52047	1x(A)	≈1,15	1:1
93-11-30		SIZE	Y.M.L.
CHANGING LET. DATE		461 315 019 0	
REPLACEMENT FOR		CODE FOR FUNCTION	CODE FOR SHAPE
		A 2	518
		140	605