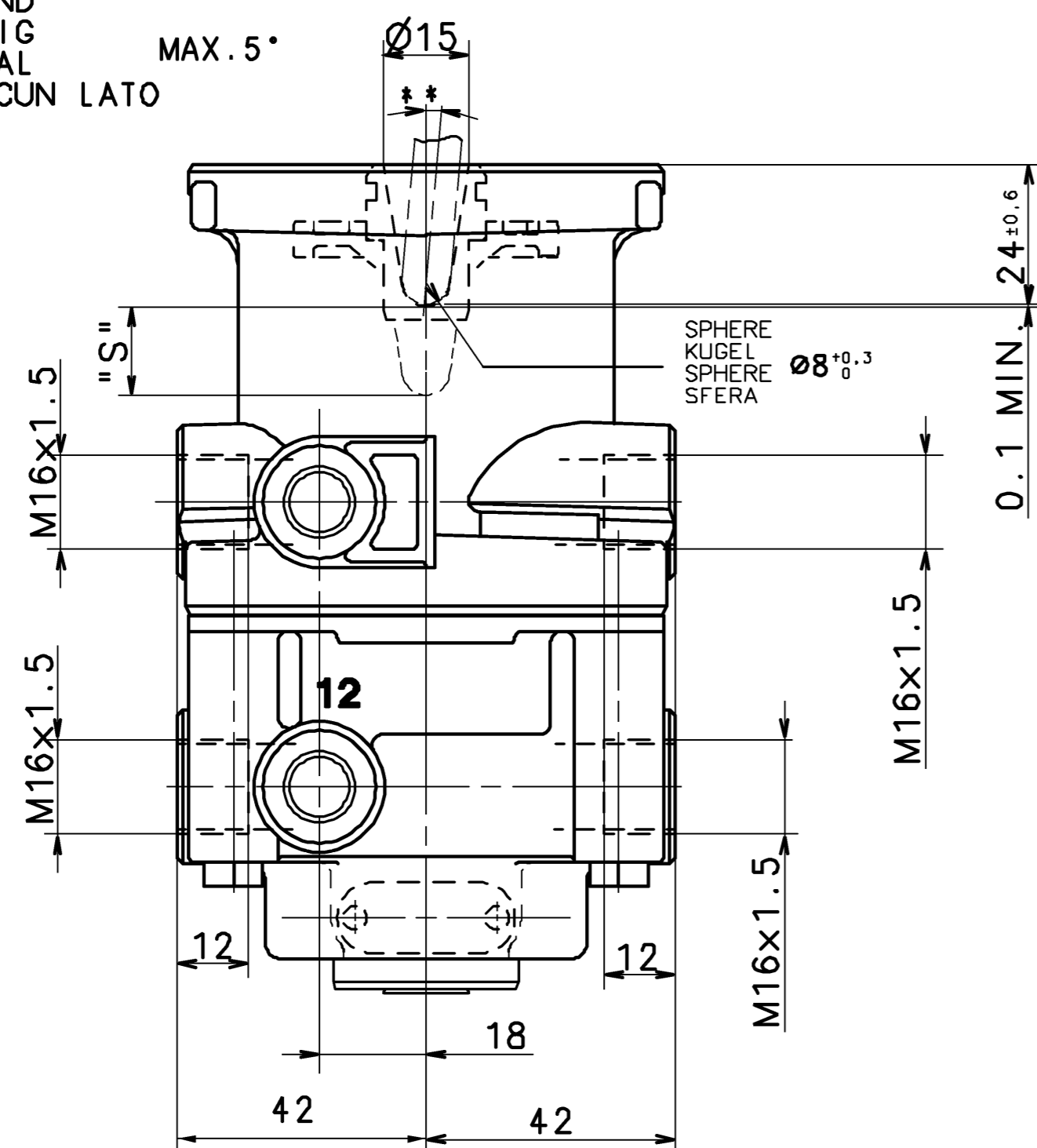
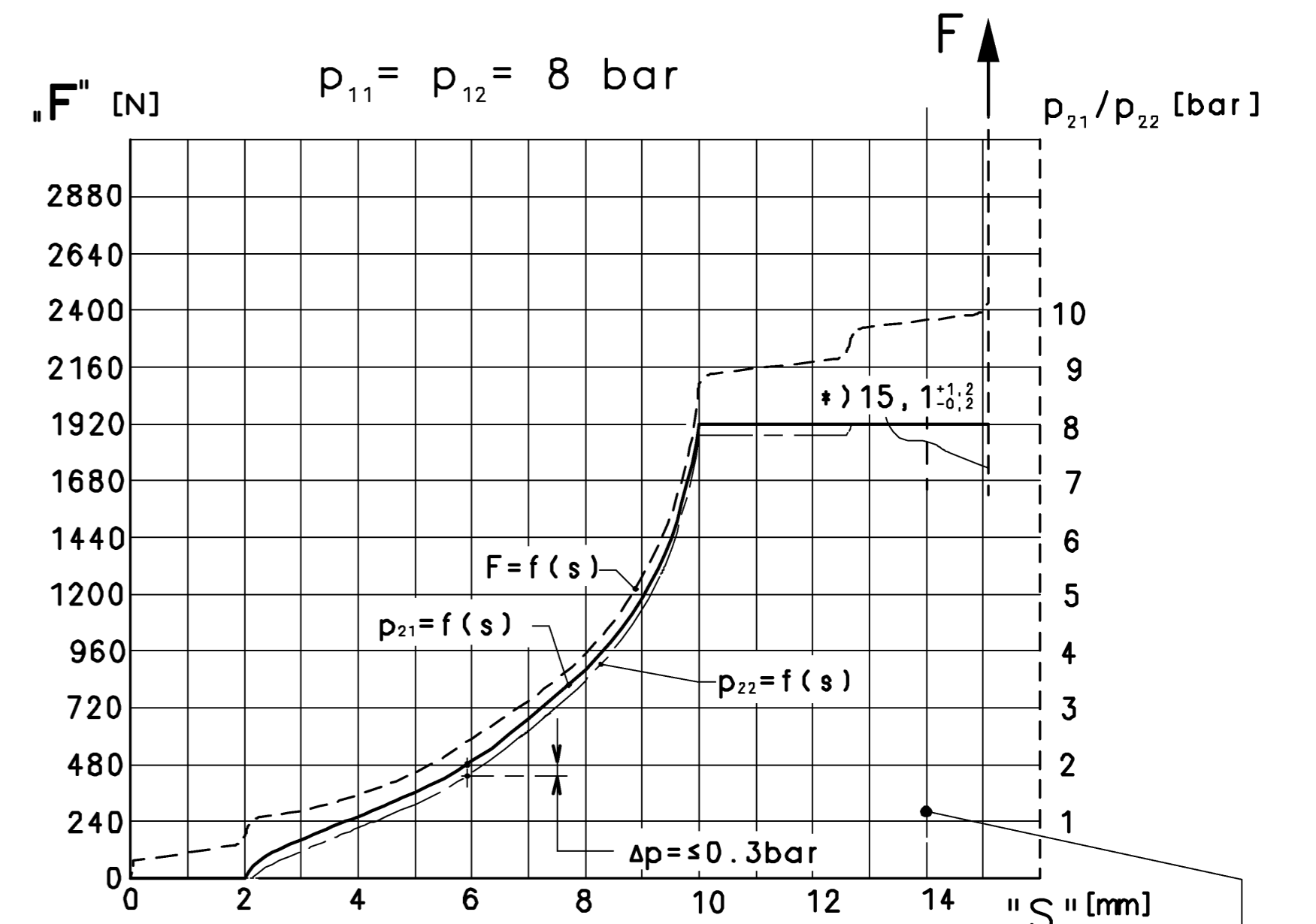
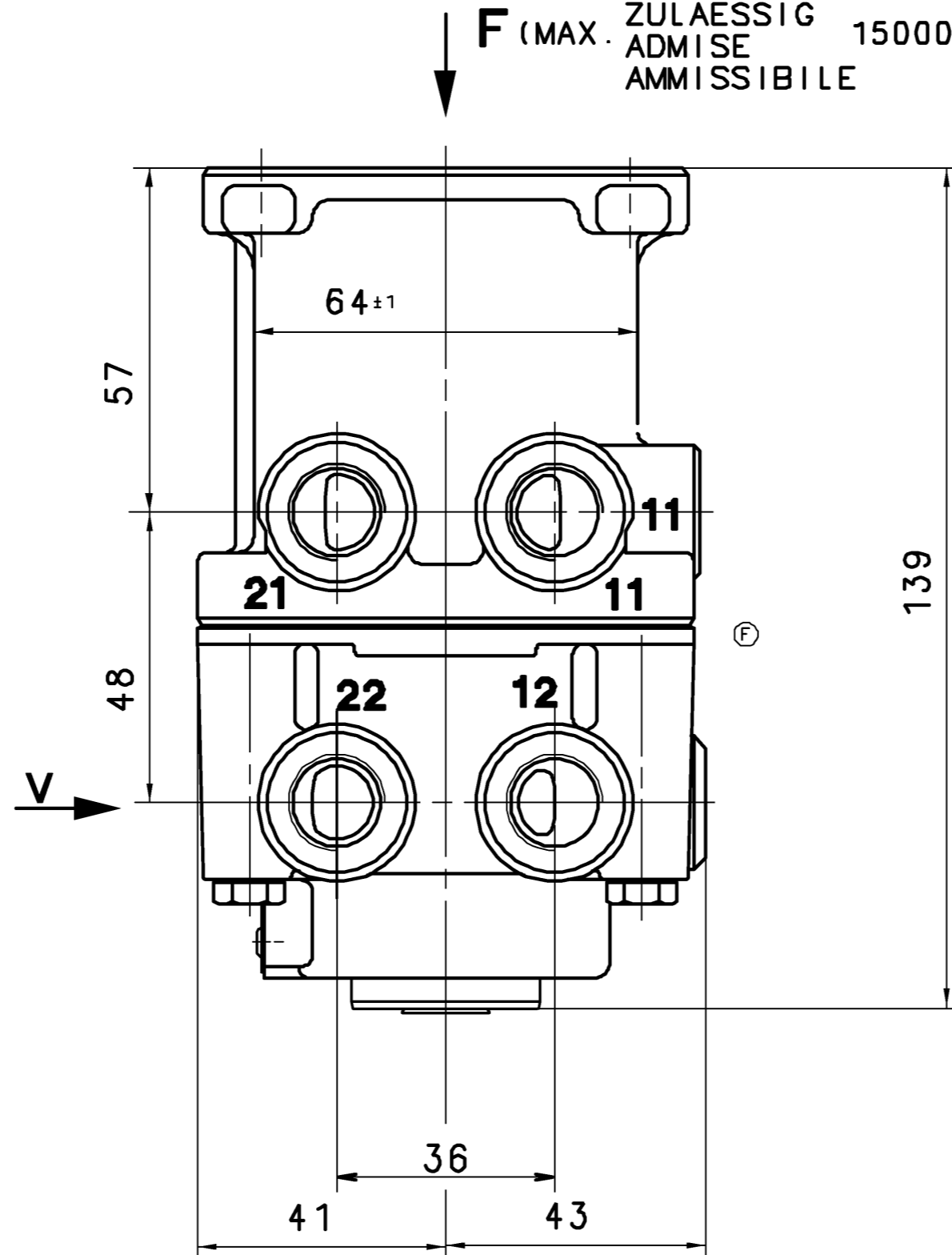


** ALL ROUND
ALLSEITIG
UNIVERSAL
SU CIASCUN LATO



F (MAX. ADMISSIBLE ZULAESSIG ADMISE AMMISSIBILE 15000 N)



AT FAILURE CIRCUIT 1 : NECESSARY COURSE $S \geq 14$ mm
NECESSARY FORCE $F = 3400$ N
BEI AUSFALL KREIS 1 : ERFORDERLICHER WEG $S \geq 14$ mm
ERFORDERLICHE KRAFT $F = 3400$ N *
EN CAS DE DEFAILLANCE : COURSE NECESSAIRE $S \geq 14$ mm
CIRCUIT 1 FORCE NECESSAIRE $F = 3400$ N
IN CASO DI DIFETTO : CORSA NECESSARIA $S \geq 14$ mm
CIRCUITI 1 FORZA NECESSARIA $F = 3400$ N

*) STOP WITHIN THE DEVICE ADMISSIBLE
ANSCHLAG IM GERAET ZULAESSIG
BUTEE DANS L APPAREIL ADMISE
ARRESTO NEL APPARATO AMMISSIBILE

11/12 SUPPLY
VORRAT ALIMENTATION
ALIMENTAZIONE

21/22 OUTLET
AUSGANG SORTIE
USCITA

3 EXHAUST
ENTLUEFTUNG
ECHAPPEMENT
SCARICO

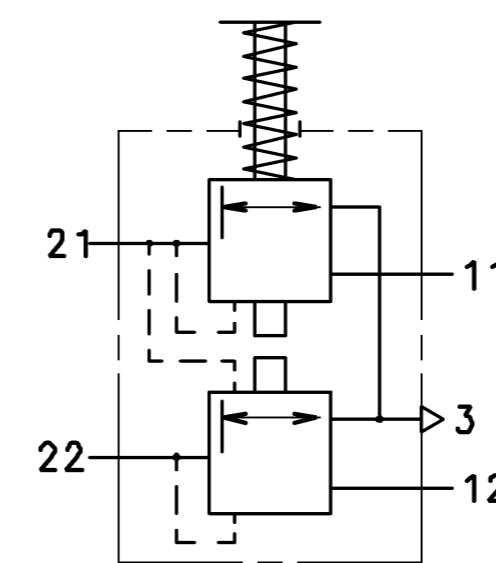
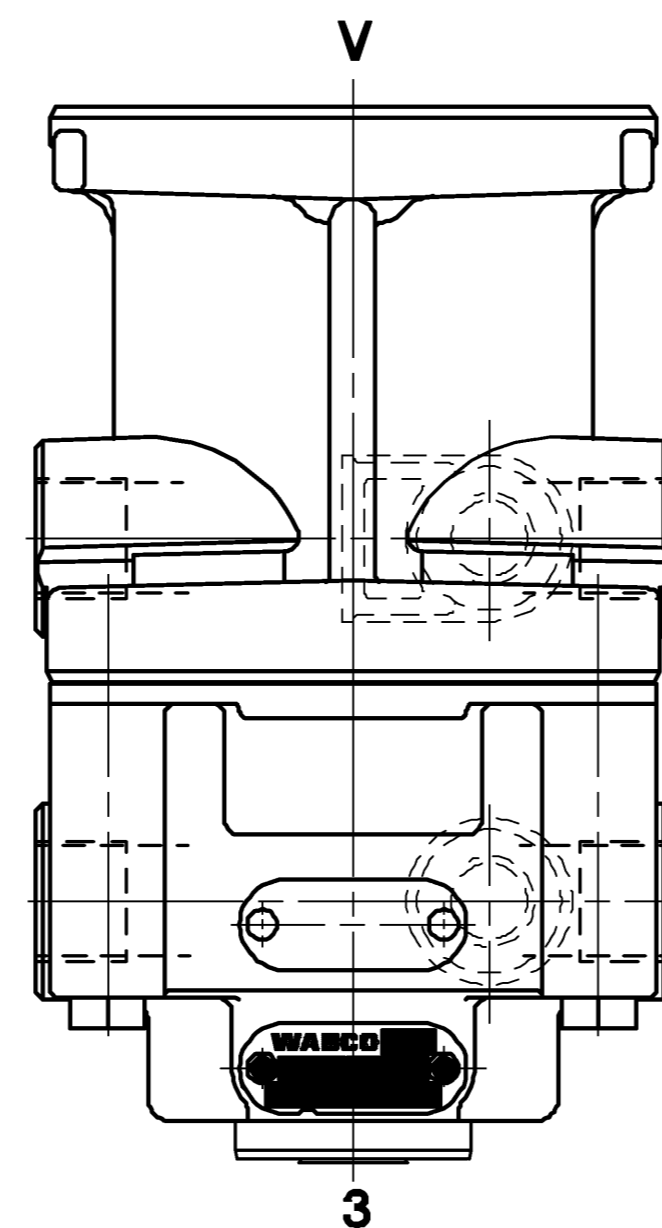
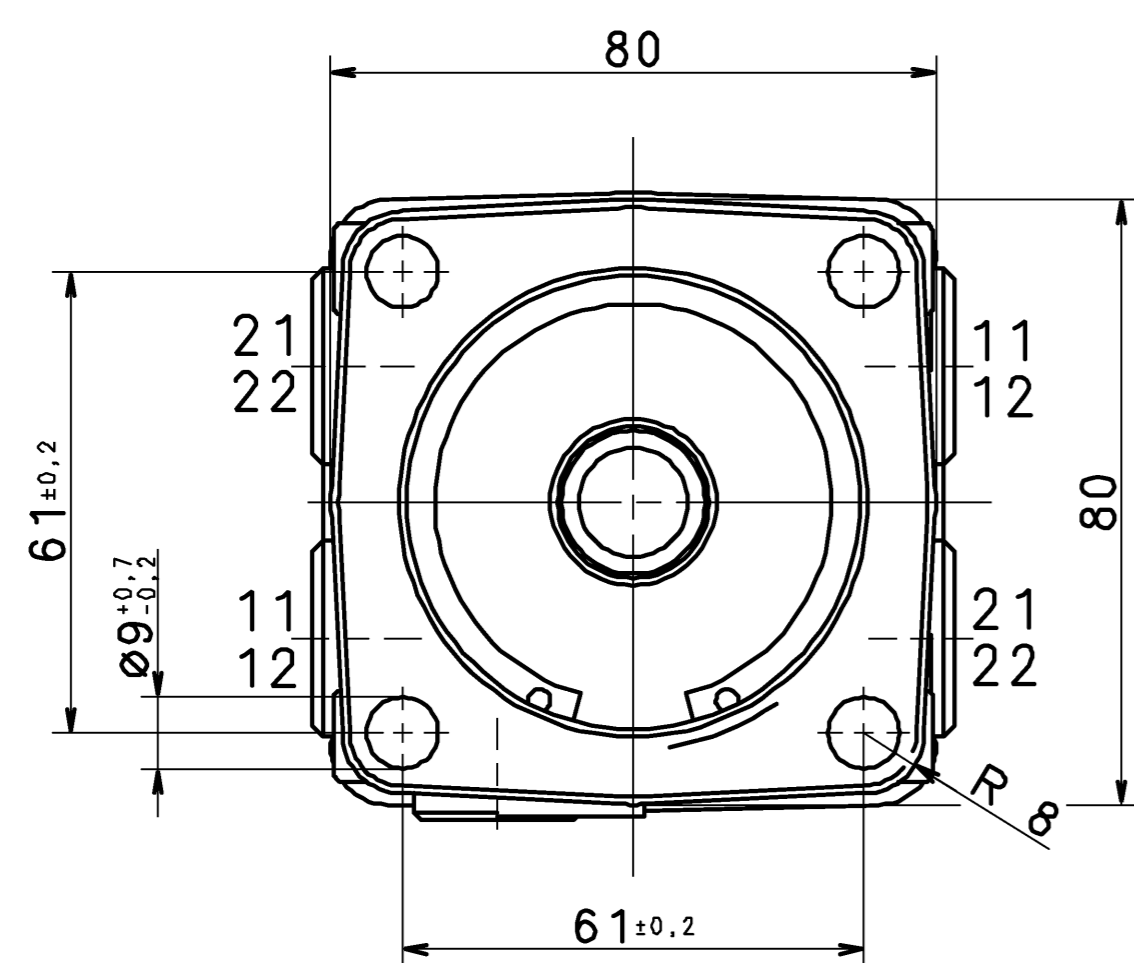
THERMAL RANGE OF APPLICATION:
THERMISCHER ANWENDUNGSBEREICH: $-40^{\circ}\text{C} \dots +80^{\circ}\text{C}$
GAMME D'APPLICATION THERMIQUE:
CAMPO DI APPLICAZIONE:

MEDIUM: AIR
MEDIUM: LUFT
FLUIDE: AIR
FLUIDO: ARIA

NOMINAL DIAMETER:
NENNWEITE: $78.5 \text{ mm} \pm \varnothing 10$
DIAMETRE NOMINAL:
DIAMETRO NOMINALE:

WORKING PRESSURE: (TEMPORARILY :
BETRIEBSDRUCK: (KURZZEITIG :
PRESSION D'UTILISATION : $p_e = \text{MAX. } 8.5 \text{ bar}$ (DE COURTE DUREE : $p_e = \text{MAX. } 10 \text{ bar}$)
PRESSIONE DI ESERCIZIO : (BREVE TEMPO SOLO:

TORQUE FOR CONNECTIONS:
ANZUGSMOMENT FUER EINSCHRAUBSTUTZEN: $M16 \times 1.5: M = \text{MAX. } 34 \text{ Nm}$
COUPLE DE SERRAGE DES RACCORDS:
COPPIA DI SERRAGGIO DEI RACCORDI:



INSTALLATION POSITION: EXHAUST SHOWN AT BASE (AXIS CENTRE OF THE DEVICE DEVIATES MAX. 45° FROM VERTICAL)
EINBAULAGE: ENTLUEFTUNG NACH UNTEN (MITTELACHSE DES GERAETES MAX. 45° VON DER SENKRECHTEN ABWEICHEND)
POSITION D'INSTALLATION: ECHAPPEMENT VERS LE BAS (ECART DE L'AXE MEDIAN DE L' APPAREIL PAR RAPPORT A LA RAPPORT A LA VERTICALE: 45° MAX.)
POSIZIONE DI MONTAGGIO: SCARICO VERSO IL BASSO (DEVIAZIONE ASSE APPARECCHIO RISPETTO ALLA VERTICALE: MAX. 45°)

GENERAL SPECIFICATION: JED-334		DATE: 04-01-15		SIGNATURE: ROEVER		DRAWN: ROEVER		CHECKED: MARTINI		STANDARDIZATION:		MASS SCALE: 1:1		PRODUCT IDENTIFICATION NO. 461 315 040 0		DOC. CODE: 605		SHEET: 1/1		
FURTHER TECHNICAL DATA:		SHEET: 10		DATE: 04-01-15		SIGNATURE: ROEVER		DRAWN: ROEVER		CHECKED: MARTINI		MASS SCALE: 1:1		PRODUCT IDENTIFICATION NO. 461 315 040 0		DOC. CODE: 605		SHEET: 1/1		
GENERAL TOLERANCES		SHEET: 10		DATE: 04-01-15		SIGNATURE: ROEVER		DRAWN: ROEVER		CHECKED: MARTINI		MASS SCALE: 1:1		PRODUCT IDENTIFICATION NO. 461 315 040 0		DOC. CODE: 605		SHEET: 1/1		
RANGE OF NOMINAL DIMENSIONS (± mm)		SHEET: 10		DATE: 04-01-15		SIGNATURE: ROEVER		DRAWN: ROEVER		CHECKED: MARTINI		MASS SCALE: 1:1		PRODUCT IDENTIFICATION NO. 461 315 040 0		DOC. CODE: 605		SHEET: 1/1		
CLASS 1)	≤ 50	> 50 ≤ 180	> 180 ≤ 400	> 400																
FINE	0.5	1.0	1.5	2.0																
MEDIUM	1.0	2.0	3.0	4.0																
COARSE	2.0	3.5	5.0	6.5																
TAPPED HOLES ACC: ISO 4038 / JED-152		SHEET: 10		DATE: 04-01-15		SIGNATURE: ROEVER		DRAWN: ROEVER		CHECKED: MARTINI		MASS SCALE: 1:1		PRODUCT IDENTIFICATION NO. 461 315 040 0		DOC. CODE: 605		SHEET: 1/1		
1) TOLERANCE CLASS APPLIED CROSSMARKED		SHEET: 10		DATE: 04-01-15		SIGNATURE: ROEVER		DRAWN: ROEVER		CHECKED: MARTINI		MASS SCALE: 1:1		PRODUCT IDENTIFICATION NO. 461 315 040 0		DOC. CODE: 605		SHEET: 1/1		