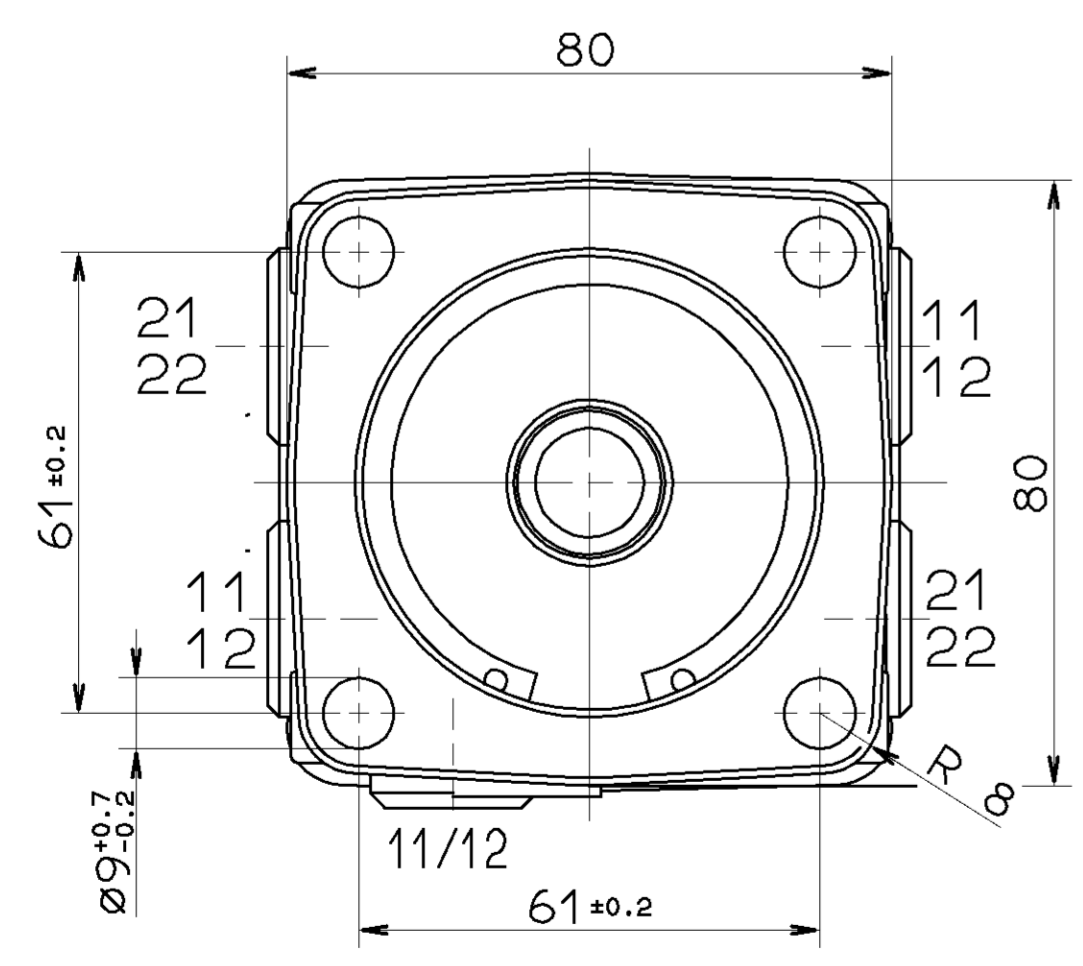
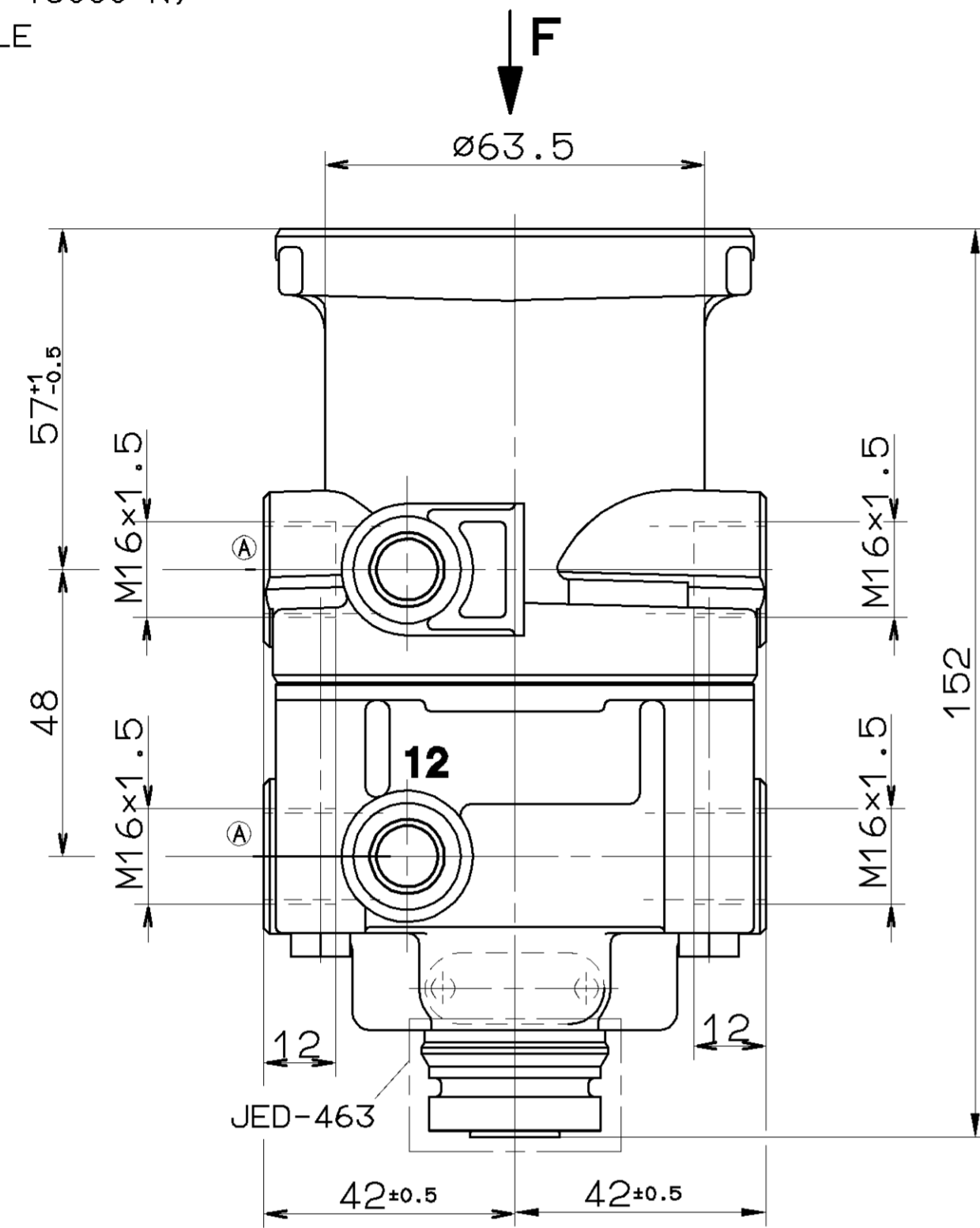
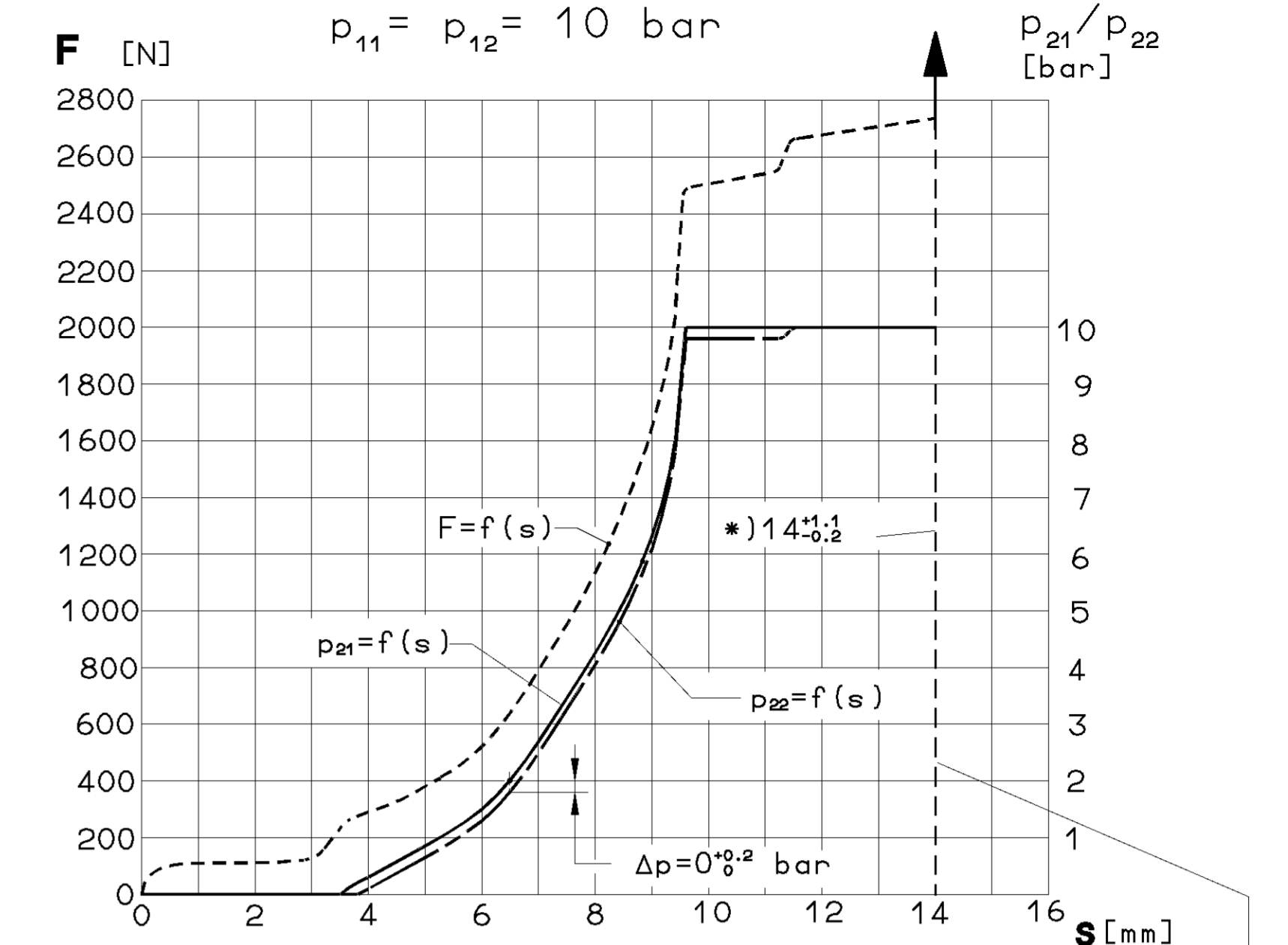
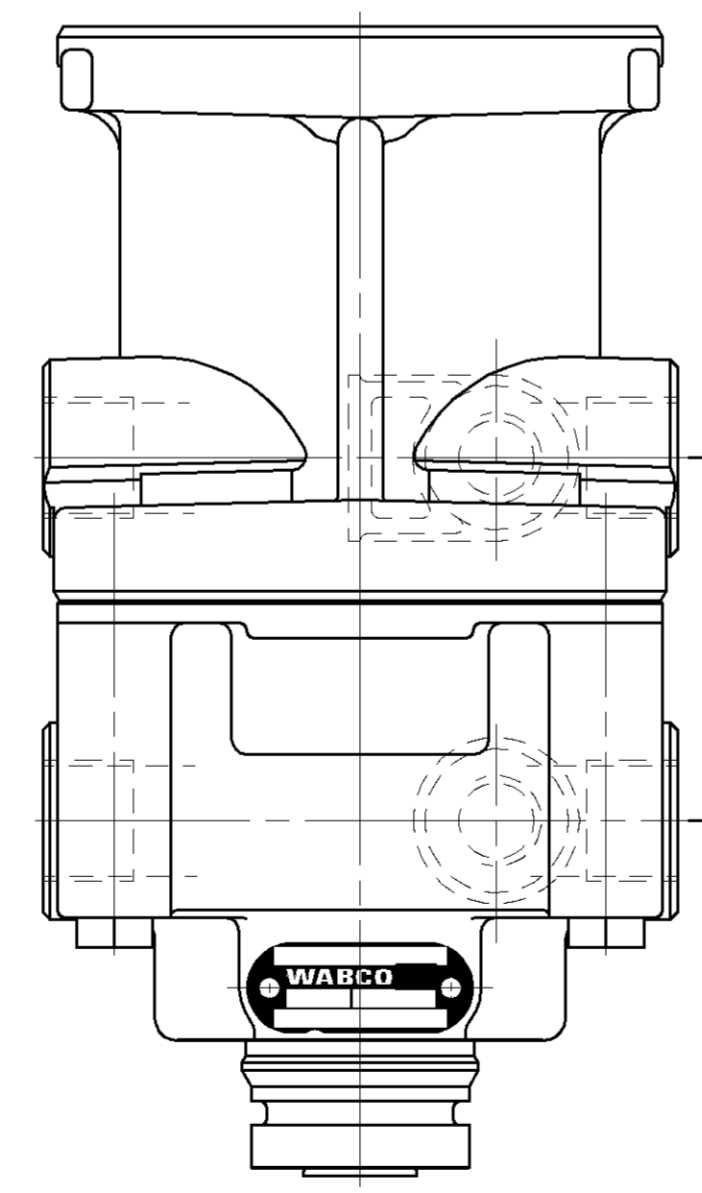
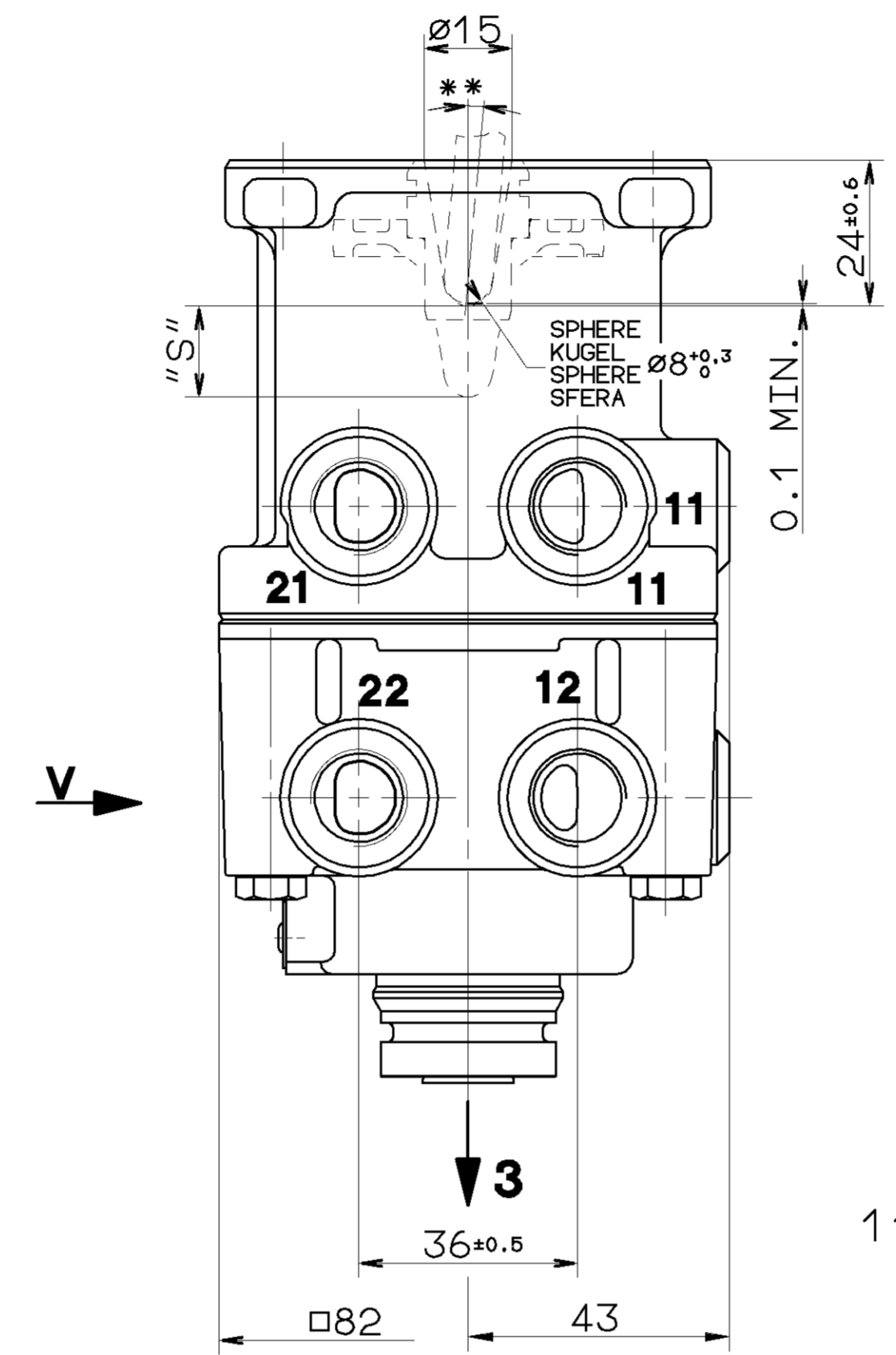


F (MAX. ADMISSIBLE ZULAESSIG 15000 N) ADMISE AMMISSIBILE



ALL ROUND ALLSEITIG UNIVERSAL SU CIASCUN LATO MAX.5°



AT FAILURE CIRCUIT 1 : NECESSARY COURSE S ≥ 14 mm NECESSARY FORCE F = 4100 N  
 BEI AUSFALL KREIS 1 : ERFORDERLICHER WEG S ≥ 14 mm ERFORDERLICHE KRAFT F = 4100 N \*)  
 EN CAS DE DEFAILLANCE : COURSE NECESSAIRE S ≥ 14 mm FORCE NECESSAIRE F = 4100 N  
 IN CASO DI DIFETTO : CORSA NECESSARIA S ≥ 14 mm FORZA NECESSARIA F = 4100 N  
 CIRCUITI 1

\*) STOP WITHIN THE DEVICE ADMISSIBLE ANSCHLAG IM GERAET ZULAESSIG BUTEE DANS L' APPAREIL ADMISE ARRESTO NEL APPARATO AMMISSIBILE

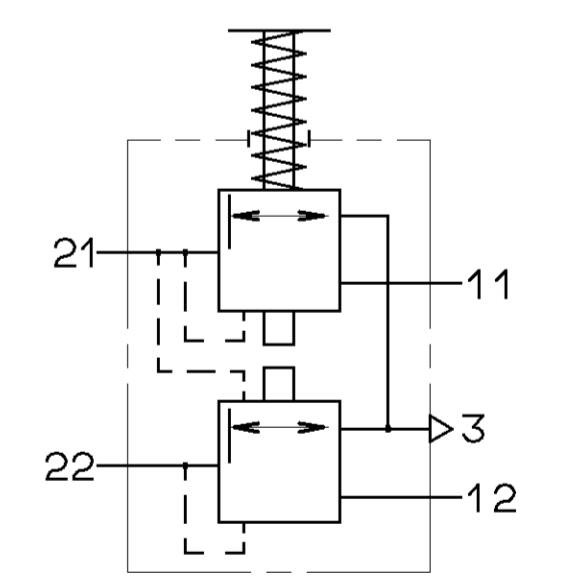
11/12 SUPPLY VORRAT ALIMENTATION ALIMENTAZIONE 21/22 OUTLET AUSGANG SORTIE USCITA 3 EXHAUST ENTLUEFTUNG ECHAPPEMENT SCARICO

MEDIUM: AIR MEDIUM: LUFT FLUIDE: AIR FLUIDO: ARIA NOMINAL DIAMETER : NENNWEITE : 78.5 mm±0.2 ø10 DIAMETRE NOMINAL : DIAMETRO NOMINALE : THERMAL RANGE OF APPLICATION : THERM. ANWENDUNGSBEREICH : -40°C...+80°C GAMME D'APPLICATION THERMIQUE : CAMPO DI APPLICAZIONE TERMICA :

WORKING PRESSURE : (TEMPORARILY : BETRIEBSDRUCK : p<sub>e</sub>=10bar (KURZZEITIG : p<sub>e</sub>= 11bar) PRESSION D'UTILISATION : (DE COURTE DUREE : PRESSIONE DI ESERCIZIO: (BREVE TEMPO SOLO:

INSTALLATION POSITION : EXHAUST SHOWN AT BASE ( AXIS CENTRE OF THE DEVICE DEVIATES MAX.±45° FROM VERTICAL ) EINBAULAGE : ENTLUEFTUNG NACH UNTEN ( MITTELACHSE DES GERAETES MAX.±45° VON DER SENKRECHTEN ABWEICHEND ) POSITION D'INSTALLATION : ECHAPPEMENT VERS LE BAS (ECART DE L'AXE MEDIAN DE L' APPAREIL PAR RAPPORT A LA VERTICALE:±45° MAX. ) POSIZIONE DI MONTAGGIO : SCARICO VERSO IL BASSO ( DEVIAZIONE ASSE APPARECCHIO RISPETTO ALLA VERTICALE: MAX.±45° )

TORQUE FOR CONNECTIONS : ANZUGSMOMENT FUER EINSCHRAUBSTUTZEN : COUPLE DE SERRAGE DES RACCORDS : COPPIA DI SERRAGGIO DEI RACCORDI : M16x1.5: M<sub>max</sub> = 34 Nm



GENERAL SPECIFICATION: JED-034		CAD/CAE DRAWING COPYRIGHT	
FURTHER TECHNICAL DATA:		DATE: SIGNATURE:	
DOC. CODE:	SHEET: TO:	97-11-20 MEINKING	BRAKE VALVE
GENERAL TOLERANCES		97-11-20 FABIAN	MOTWGN-BREMSVENTIL
RANGE OF NOMINAL DIMENSIONS ( ± mm )		STANDARDIZATION:	ROBINET DE FREINAGE
CLASS 1)	≤50 >50 ≤180 >180 ≤400 >400	PRODUCT IDENTIFICATION NO.	DISTRIBUTORE DI COMANDO
FINE	0,5 1,0 1,5 2,0	461 315 073 0	DOC. CODE SHEET
MEDIUM X	1,0 2,0 3,0 4,0	1.15 1:1	605 1/1
COARSE	2,0 3,5 5,0 6,5	SIZE T.R.I.	REPLACEMENT FOR
TAPPED HOLES ACC. ISO 4039 / JED-162		A 1 140	SHAPE CODE
1) TOLERANCE CLASS APPLIED CROSSHATCHED		060540 2x A 98-01-16	REPLACEMENT FOR
		DATE: 98-01-16	
		REV. 2x A	
		SCALE: 1:1	
		EXP. CODE: 71316	
		PRODUCT TYPE: 010	