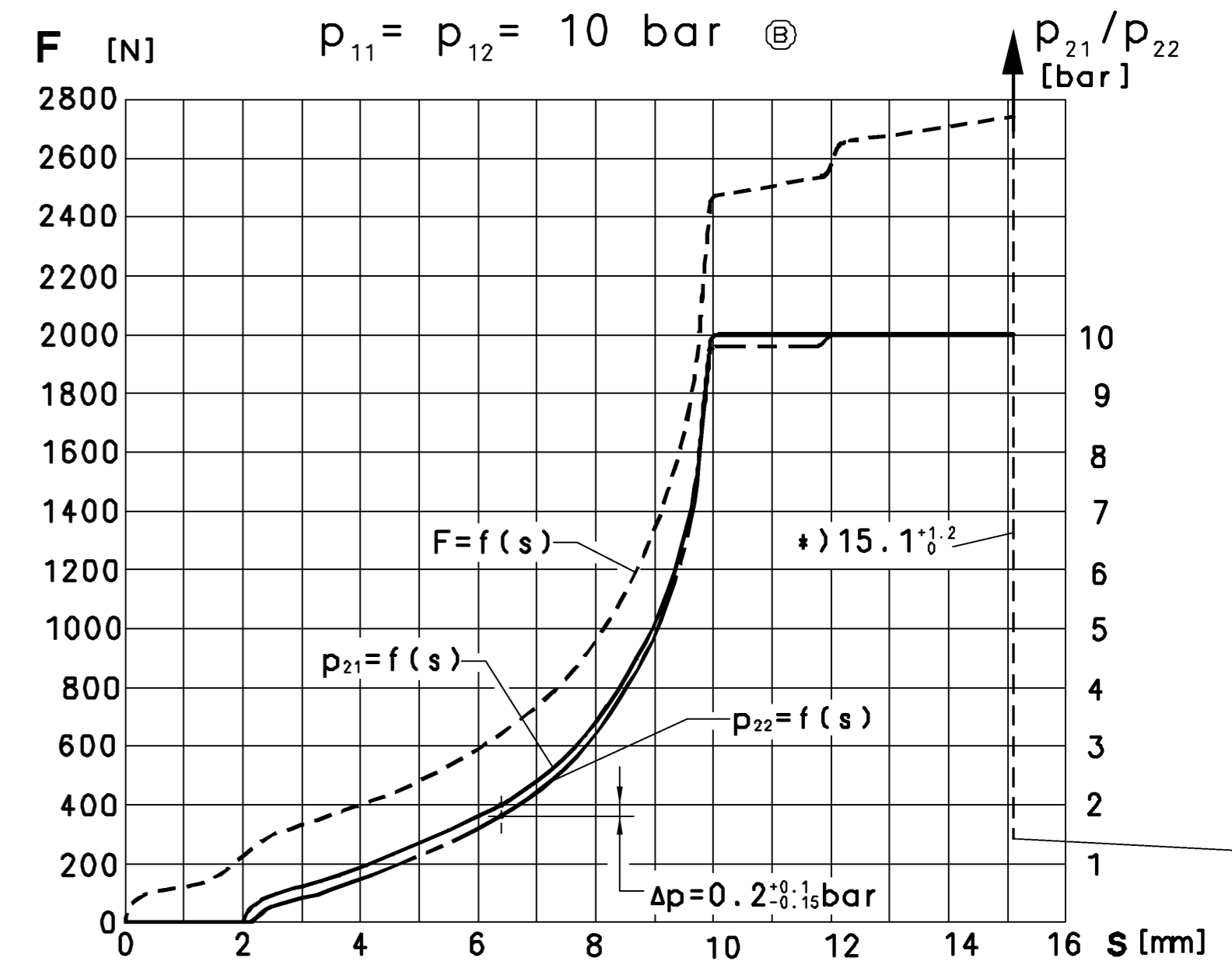


\*\* MARKED AREA FREE FROM PAINT; VENTILATION  
MARKIERTER BEREICH FREI VON FARBE; BEATMUNG  
PARTIE MARQUEE SANS PEINTURE; VENTILATION  
PARTE SEGNATA SENZA VERNICE; VENTILAZIONE



\*) STOP WITHIN THE DEVICE ADMISSE  
ANSCHLAG IM GERAET ZULAESSIG  
BUTEE DANS L'APPAREIL ADMISE  
ARRESTO NEL APPARATO AMMISSIBILE  
TOPE DENTRO DEL APARATO ADMISIBILE

AT FAILURE CIRCUIT 1 : NECESSARY COURSE  $S \geq 14 \text{ mm}$   
NECESSARY FORCE  $F = 3550 \text{ N}$

BEI AUSFALL KREIS 1 : ERFORDERLICHER WEG  $S \geq 14 \text{ mm}$   
ERFORDERLICHE KRAFT  $F = 3550 \text{ N}$  \*)

EN CAS DE DEFAILLANCE : COURSE NECESSAIRE  $S \geq 14 \text{ mm}$   
FORCE NECESSAIRE  $F = 3550 \text{ N}$

IN CASO DI DIFETTO : CORSA NECESSARIA  $S \geq 14 \text{ mm}$   
FORZA NECESSARIA  $F = 3550 \text{ N}$

CIRCUITI 1

11 / 12 SUPPLY VORRAT ALIMENTATION 21 / 22 OUTLET AUSGANG SORTIE USCITA 3 EXHAUST ENTLUEFTUNG ECHAPPEMENT SCARICO

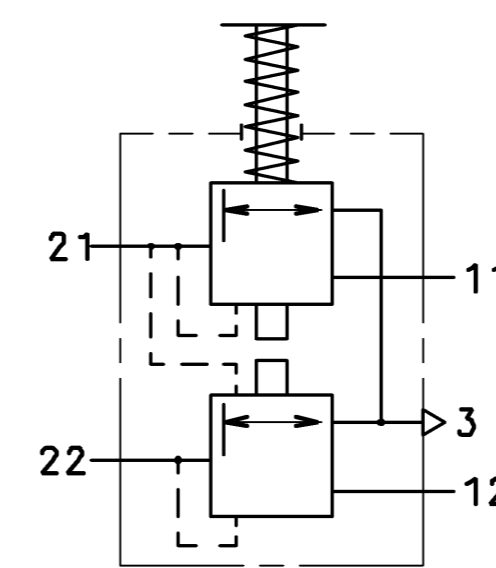
THERMAL RANGE OF APPLICATION: MEDIUM: AIR  
THERMISCHER ANWENDUNGSBEREICH: -40°C...+80°C MEDIUM: LUFT  
GAMME D' APPLICATION THERMIQUE: FLUIDE: AIR  
CAMPO DI APPLICAZIONE: FLUIDO: ARIA

NOMINAL DIAMETER:  
NENNWEITE: 78.5 mm<sup>2</sup> ± 0.10  
DIAMETRE NOMINAL:  
DIAMETRO NOMINALE:

WORKING PRESSURE: (TEMPORARILY :  
BETRIEBSDRUCK: (KURZZEITIG :  
PRESSION D'UTILISATION :  $p_e = \text{MAX. } 10 \text{ bar}$  (DE COURTE DUREE :  $p_e = \text{MAX. } 12 \text{ bar}$ )  
PRESSIONE DI ESERCIZIO :  $\textcircled{B}$  (BREVE TEMPO SOLO:  $\textcircled{B}$ )

TORQUE FOR CONNECTIONS:  
ANZUGSMOMENT FUER EINSCHRAUBSTUTZEN: M22x1.5: M=MAX. 53 Nm  
COUPLE DE SERRAGE DES RACCORDS:  
COPPIA DI SERRAGGIO DEI RACCORDI:

INSTALLATION POSITION : EXHAUST SHOWN AT BASE ( AXIS CENTRE OF THE  
DEVICE DEVIATES MAX. ±45° FROM VERTICAL )  
EINBAULAGE : ENTLUEFTUNG NACH UNTEN ( MITTELACHSE DES GERAETES  
MAX. ±45° VON DER SENKRECHTEN ABWEICHEND )  
POSITION D'INSTALLATION : ECHAPPEMENT VERS LE BAS ( ECART DE L'AXE  
MEDIAN DE L' APPAREIL PAR RAPPORT A LA  
VERTICALE: ±45° MAX. )  
POSIZIONE DI MONTAGGIO : SCARICO VERSO IL BASSO ( DEVIAZIONE ASSE  
APPARECCHIO RISPETTO ALLA VERTICALE: MAX. ±45° )



GENERAL SPECIFICATION: FURTHER TECHNICAL DATA: DOC. CODE: SHEET: TO		GENERAL TOLERANCES ( ± mm )		DATE: SIGNATURE: DRAWN: 98-06-16 M. SGF CHECKED: 98-06-16 MARTINI STANDARDIZATION:		<b>WABCO</b> BRAKE VALVE MOTORWAGEN-BREMSVENTIL ROBINET DE FREINAGE DISTRIBUTORE DI COMANDO	
CLASS 1)	RANGE OF NOMINAL DIMENSIONS	SCALE	PRODUCT IDENTIFICATION NO.	DOC. CODE	SHEET		
FINE	≤50	1:1	461 315 253 0	605	1/1		
MEDIUM	50-180	1:1	089857				
COARSE	180-400	1:1	062476				
	>400	1:1	05-06-21				
TAPPED HOLES ACC. 150 4039 / JED-152		SIZE	DATE				
1) TOLERANCE CLASS APPLIED CROSSMARKED		8x8	98-06-16				
		5xA					
		DATE					
		A 1					
		530					
		SHAPE CODE					
		REPLACEMENT FOR					
		461 315 253 0					
		OF 85-11-28 (A)					
		EXPERT CODE	7336				
		PRODUCT TYPE	010				