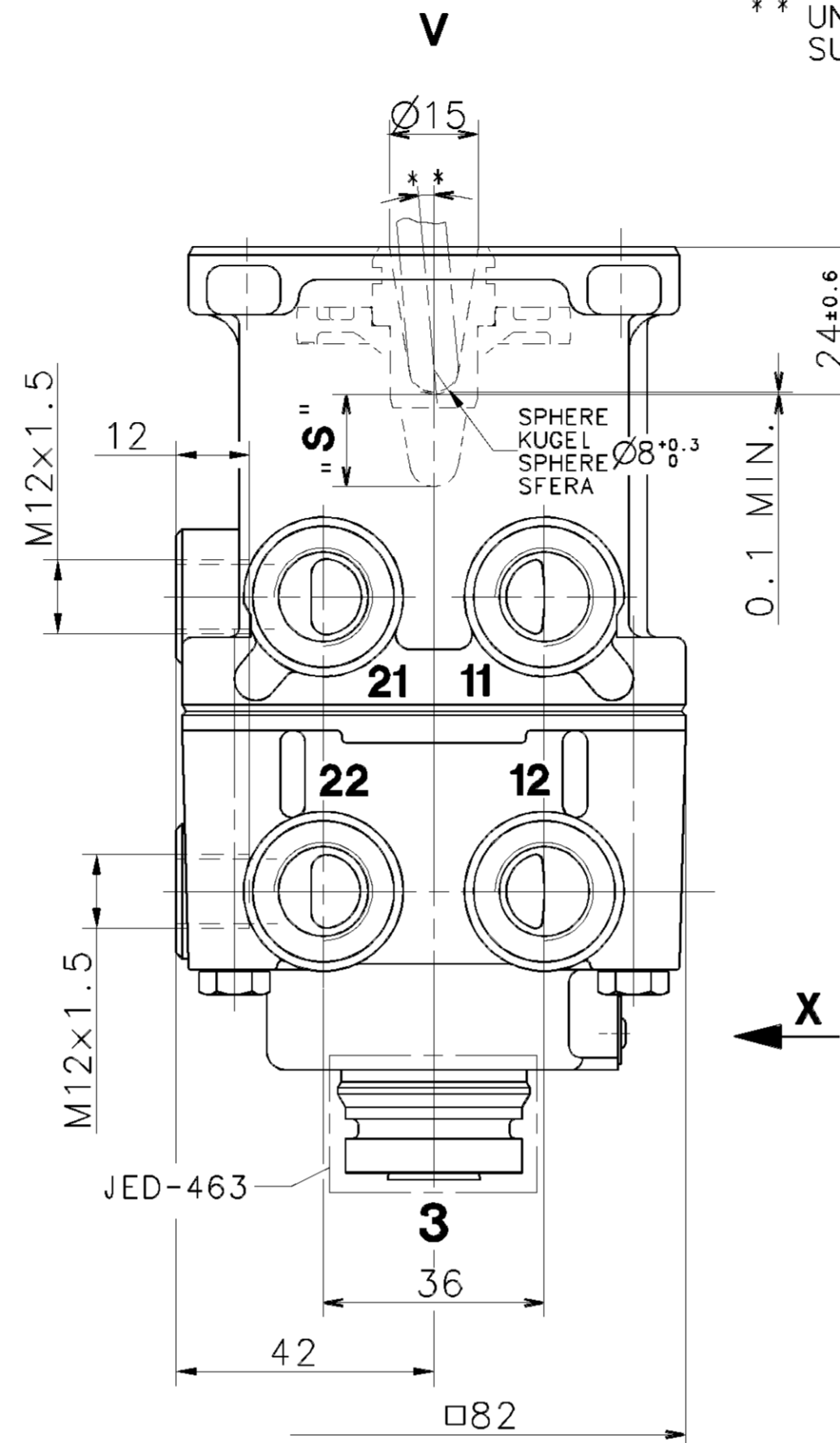
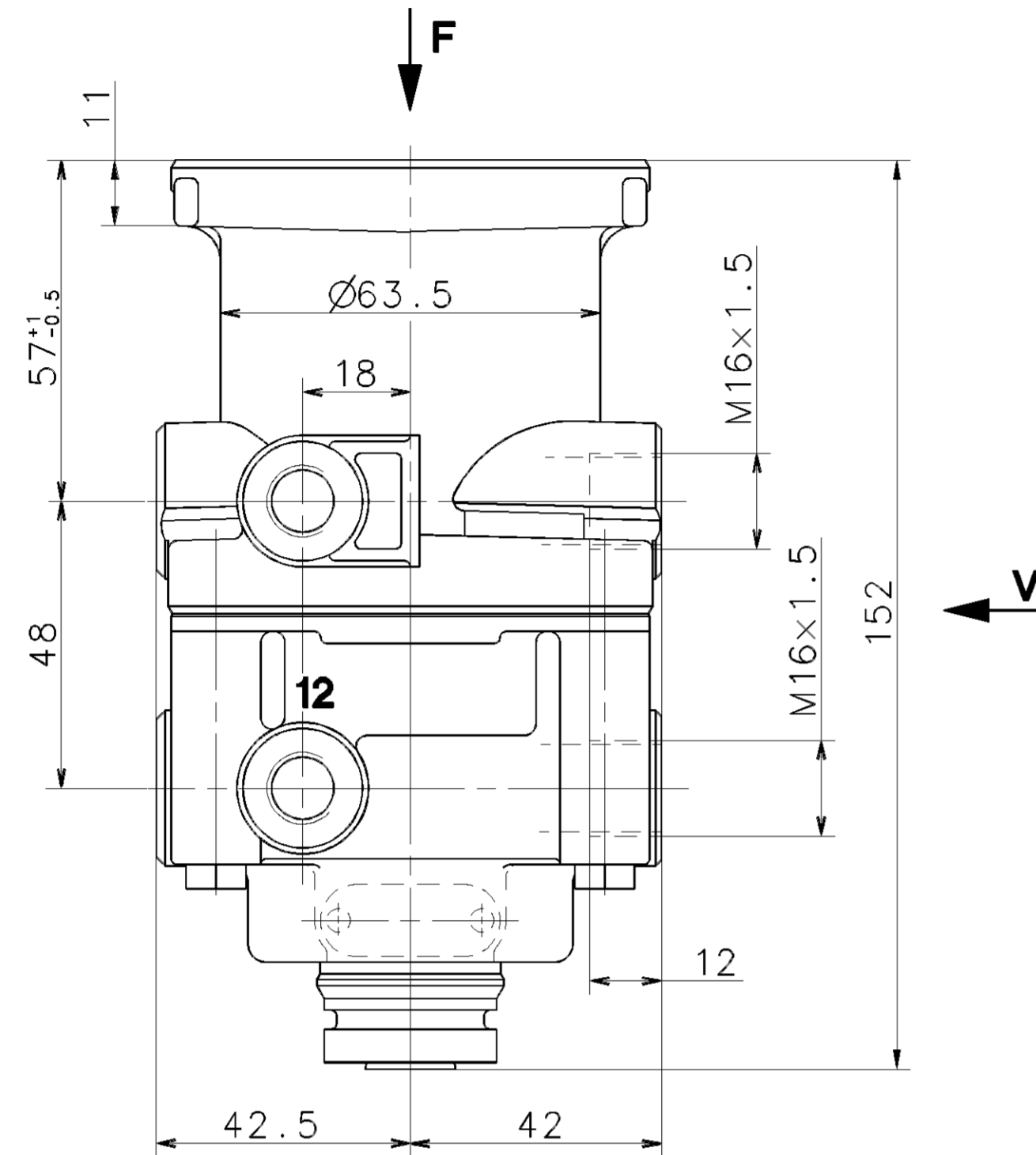
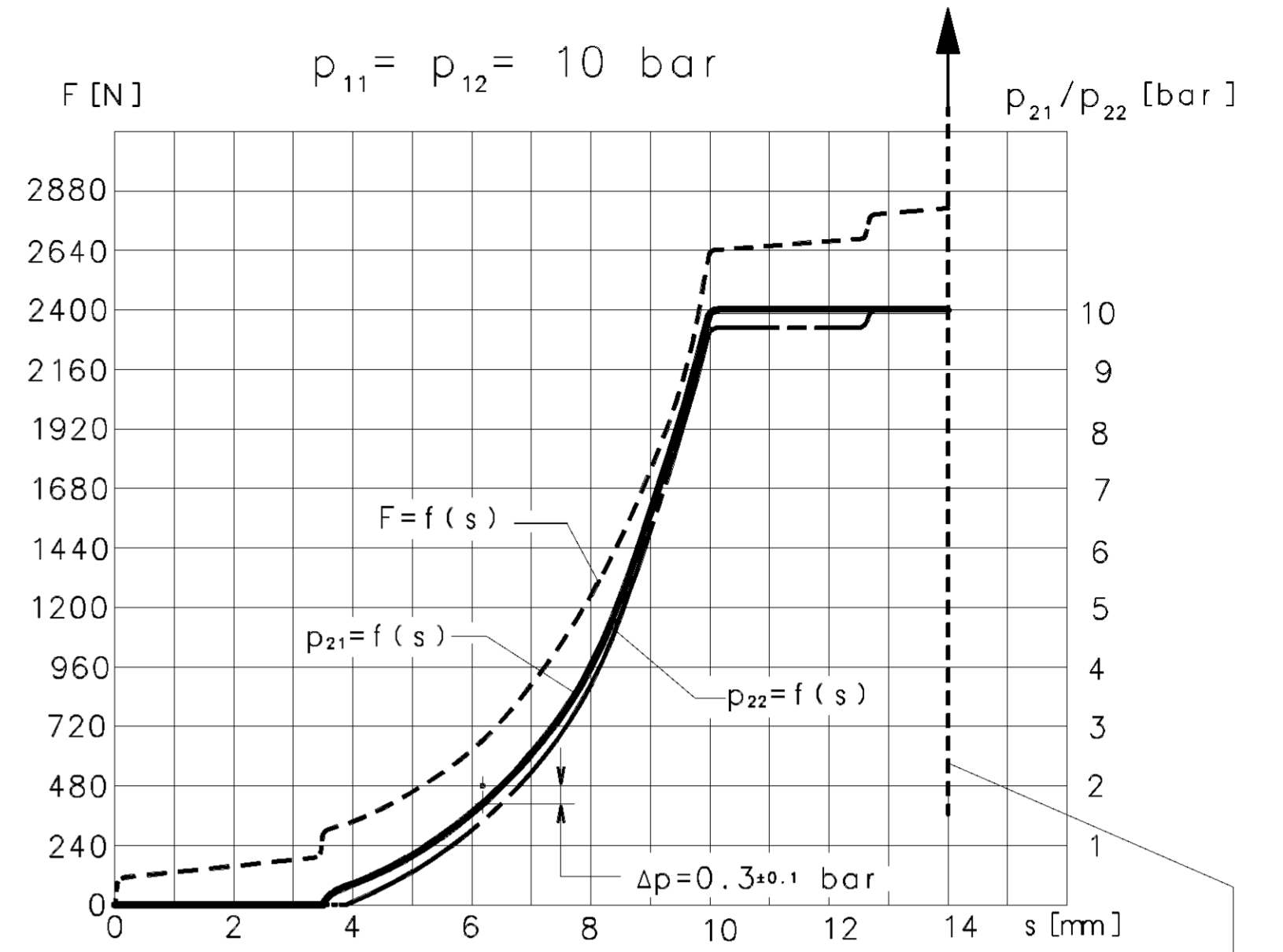


F (MAX. ADMISSIBLE ZULAESSIG ADMISSE AMMISSIBILE) 15000 N



ALL ROUND ALLSEITIG UNIVERSAL SU CIASCUN LATO MAX. 5°



*) STOP WITHIN THE DEVICE ADMISSIBLE ANSCHLAG IM GERAET ZULAESSIG BUIEE DANS L APPARAIL ADMISSE ARRESTO NEL APPARATO AMMISSIBILE

AT FAILURE CIRCUIT 1 : NECESSARY COURSE S ≥ 14 mm NECESSARY FORCE F = 4100 N BEI AUSFALL KREIS 1 : ERFORDERLICHER WEG S ≥ 14 mm ERFORDERLICHE KRAFT F = 4100 N * EN CAS DE DEFAILLANCE : COURSE NECESSAIRE S ≥ 14 mm FORCE NECESSAIRE F = 4100 N CIRCUIT 1 IN CASO DI DIFETTO : CORSA NECESSARIA S ≥ 14 mm FORZA NECESSARIA F = 4100 N CIRCUITI 1

11 / 12 SUPPLY VORRAT ALIMENTATION ALIMENTAZIONE

21 / 22 OUTLET AUSGANG SORTIE USCITA

3 EXHAUST ENTLUEFTUNG ECHAPPEMENT SCARICO

MEDIUM: AIR MEDIUM: LUF T FLUIDE: AIR FLUIDO: ARIA

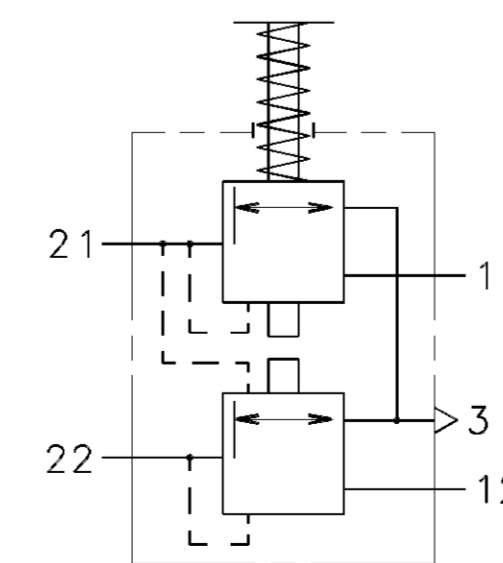
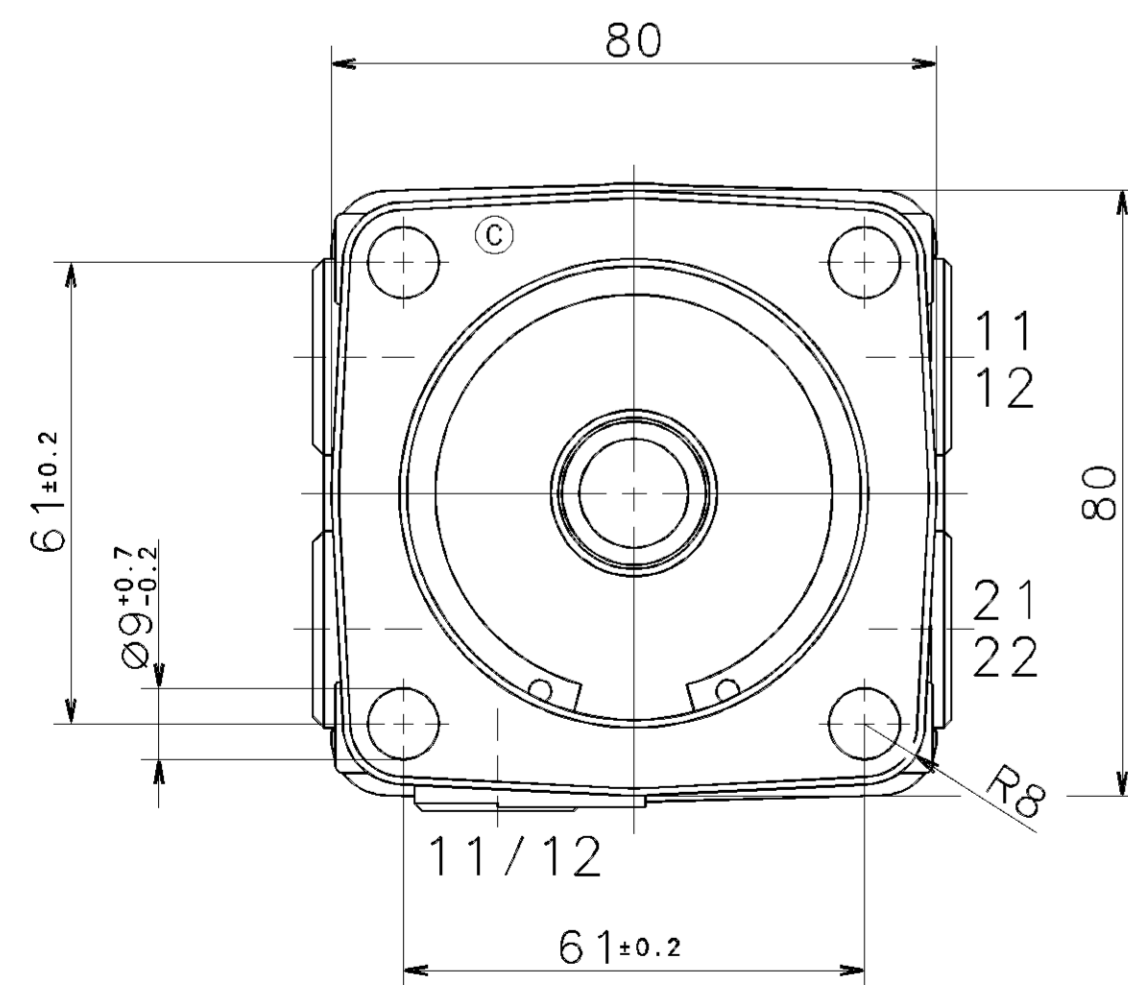
NOMINAL DIAMETER : NENNWEITE : 78.5 mm² ± Ø10 DIAMETRE NOMINAL : DIAMETRO NOMINALE :

WORKING PRESSURE: (TEMPORARILY : BETRIEBSDRUCK: (KURZZEITIG : PRESSION D'UTILISATION : pe = MAX. 10 bar (DE COURTE DUREE : PRESSIONE DI ESERCIZIO : (BREVE TEMPO SOLO :

THERMAL RANGE OF APPLICATION : THERM. ANWENDUNGSBEREICH : GAMME D APPLICATION THERMIQUE : CAMPO CI APPLICAZIONE TERMICA :

TORQUE FOR CONNECTIONS: ANZUGSMOMENT FUER EINSCHRAUBSTUTZEN: COUPLE DE SERRAGE DES RACCORDS: COPPIA DI SERRAGGIO DEI RACCORDI: M12x1.5: M=MAX. 21 Nm M16x1.5: M=MAX. 34 Nm

INSTALLATION POSITION: EXHAUST SHOWN AT BASE (AXIS CENTRE OF THE DEVICE DEVIATES MAX. 45° FROM VERTICAL) EINBAULAGE: ENTLUEFTUNG NACH UNTEN (MITTELACHSE DES GERAETES MAX. 45° VON DER SENKRECHTEN ABWEICHEND) POSITION D'INSTALLATION: ECHAPPEMENT VERS LE BAS (ECART DE L'AXE MEDIAN DE L' APPAREIL PAR RAPPORT A LA RAPPORT A LA VERTICALE: 45° MAX.) POSIZIONE DI MONTAGGIO: SCARICO VERSO IL BASSO (DEVIAZIONE ASSE APPARECCHIO RISPETTO ALLA VERTICALE: MAX. 45°)



GENERAL SPECIFICATION: JED-334		CADAM-DRIVING COPYRIGHT		
FURTHER TECHNICAL DATA:		DATE: SIGNATURE:		
DOC. CODE:	SHEET: 10	DRAWN: 89-09-26 MEINKING		
GENERAL TOLERANCES		CHECKED: 89-09-26 MARTINI		
RANGE OF NOMINAL DIMENSIONS (± mm)		STANDARDIZATION: 89-09-26 PANTZER		
CLASS 1)	≤50	≤180	≤400	>400
FINE	0,5	1,0	1,5	2,0
MEDIUM	1,0	2,0	3,0	4,0
COARSE	2,0	3,5	5,0	6,5
TAPPED HOLES ACC. ISO 4039 / JED-152		DCN-NO.:	REV. DATE:	
1) TOLERANCE CLASS APPLIED CROSSMARKED		085333	2xC 03-08-15	
		048060	B 92-04-30	
		041844	A 90-10-10	
		DATE:	DATE:	
		A 1	140	
		PRODUCT IDENTIFICATION NO. 461 315 472 0		
		DOC. CODE SHEET 605 1/1		
		REPLACEMENT FOR		

TOILE COMMUNICATION DE CE DOCUMENT, TOUTE REPRODUCTION OU COMMUNICATION DE SON CONTENU, N'EST PERMISE QUE CONFORME A L'ARTICLE 17 DE LA LOI DU 10 JUIN 1978 (ARTICLE 17 OF THE ACT OF 10 JUNE 1978).
 CADAM-DRIVING COPYRIGHT
 WABCO