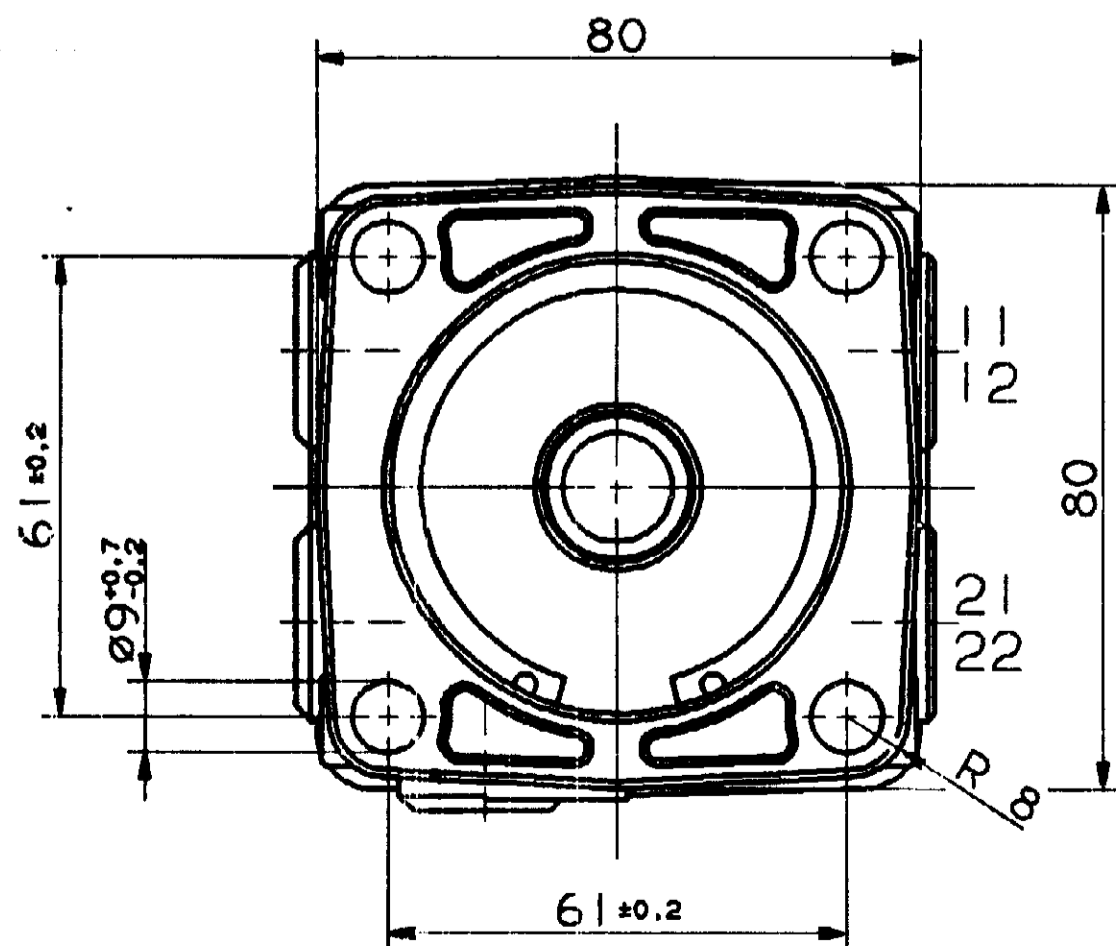
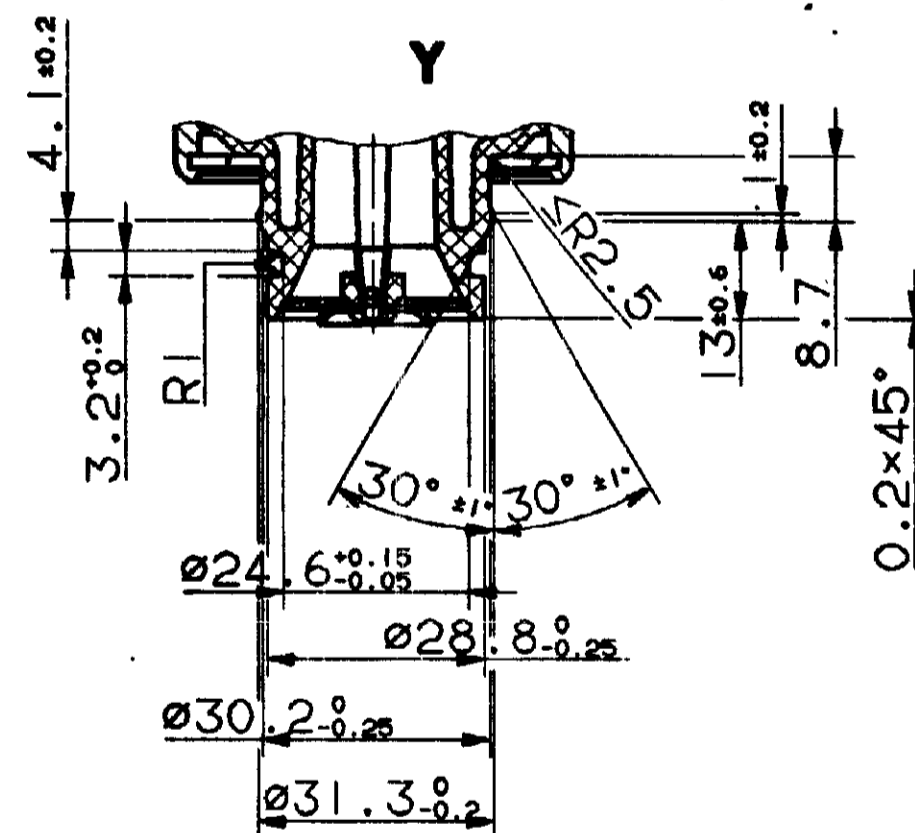
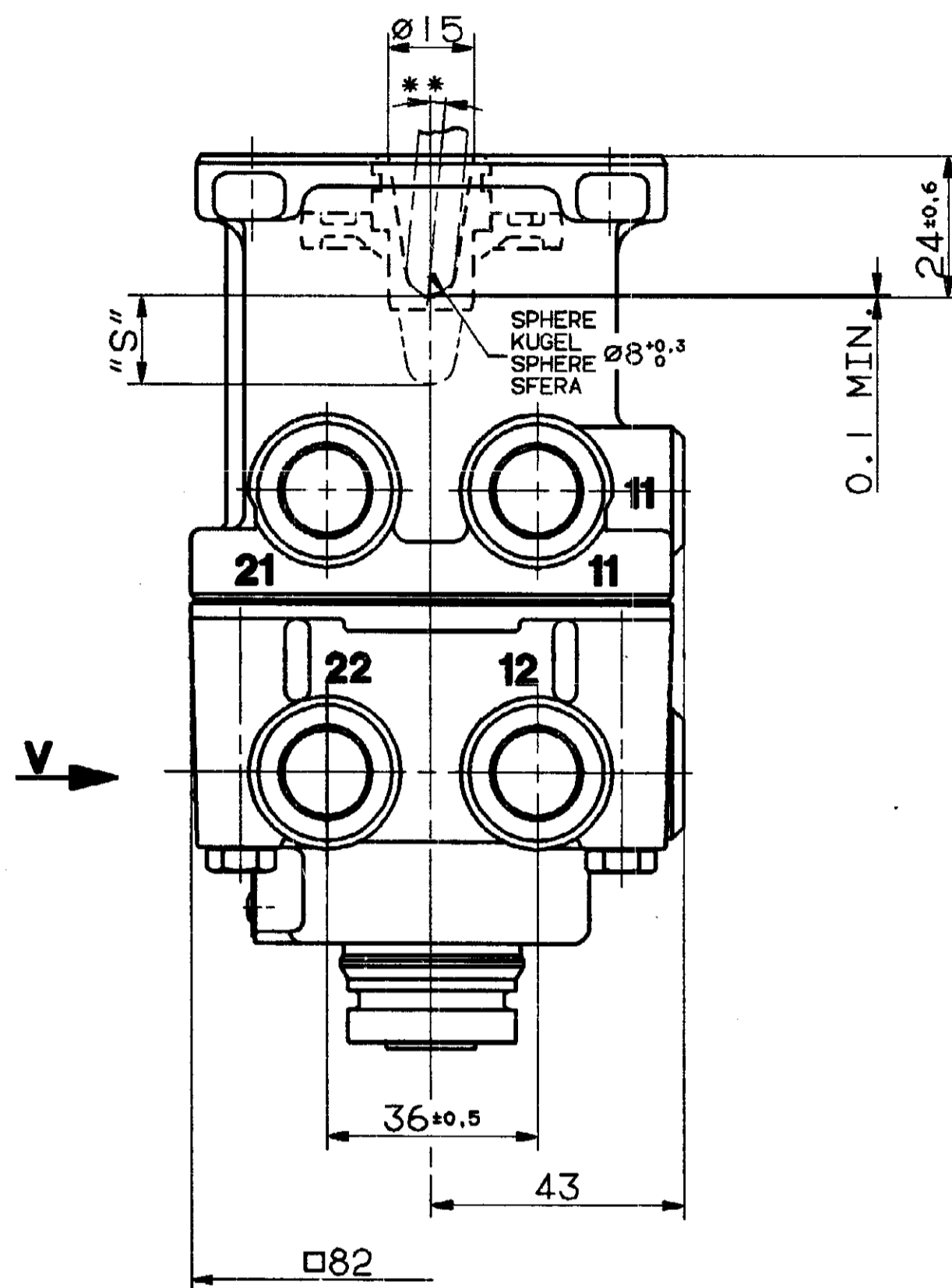
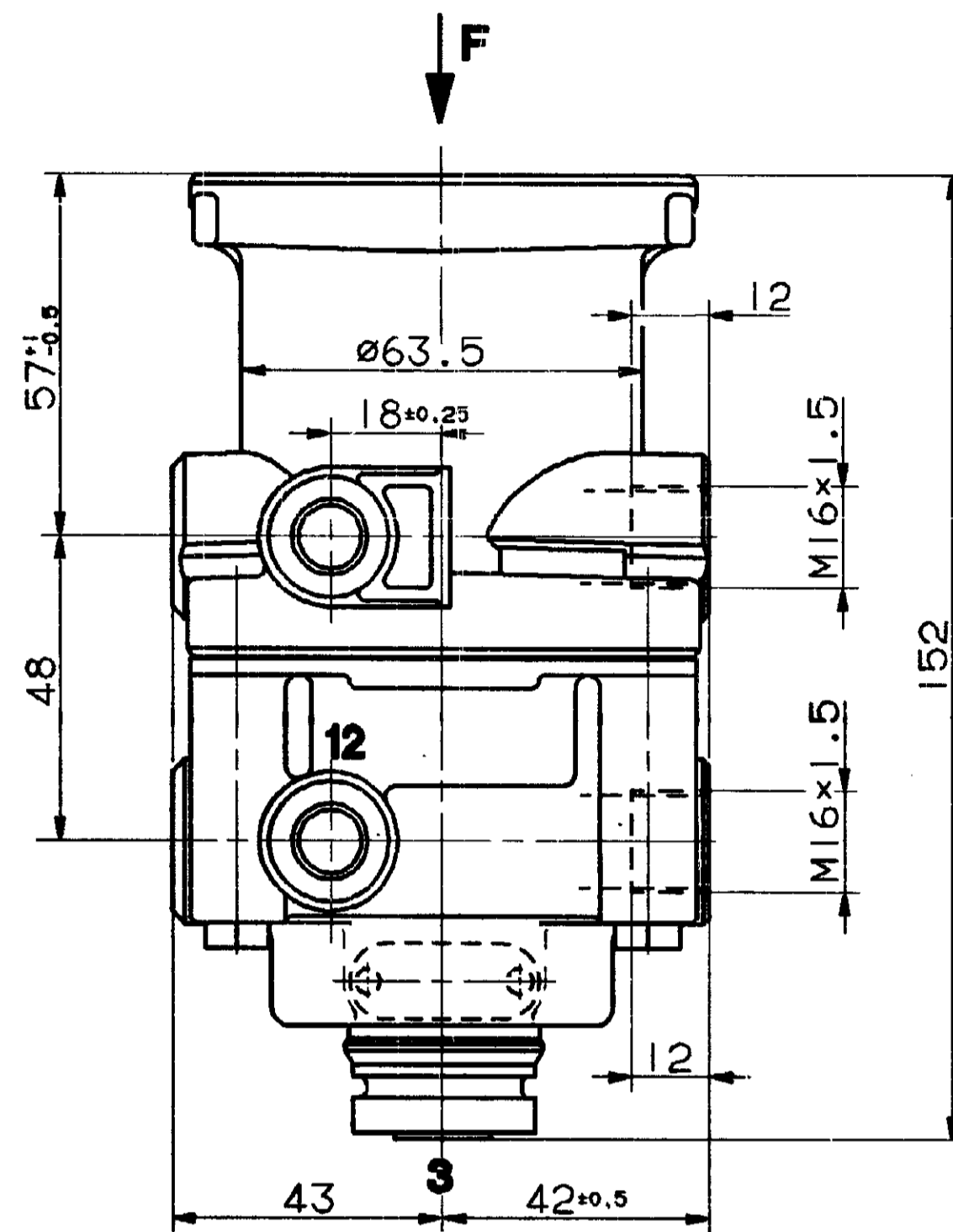
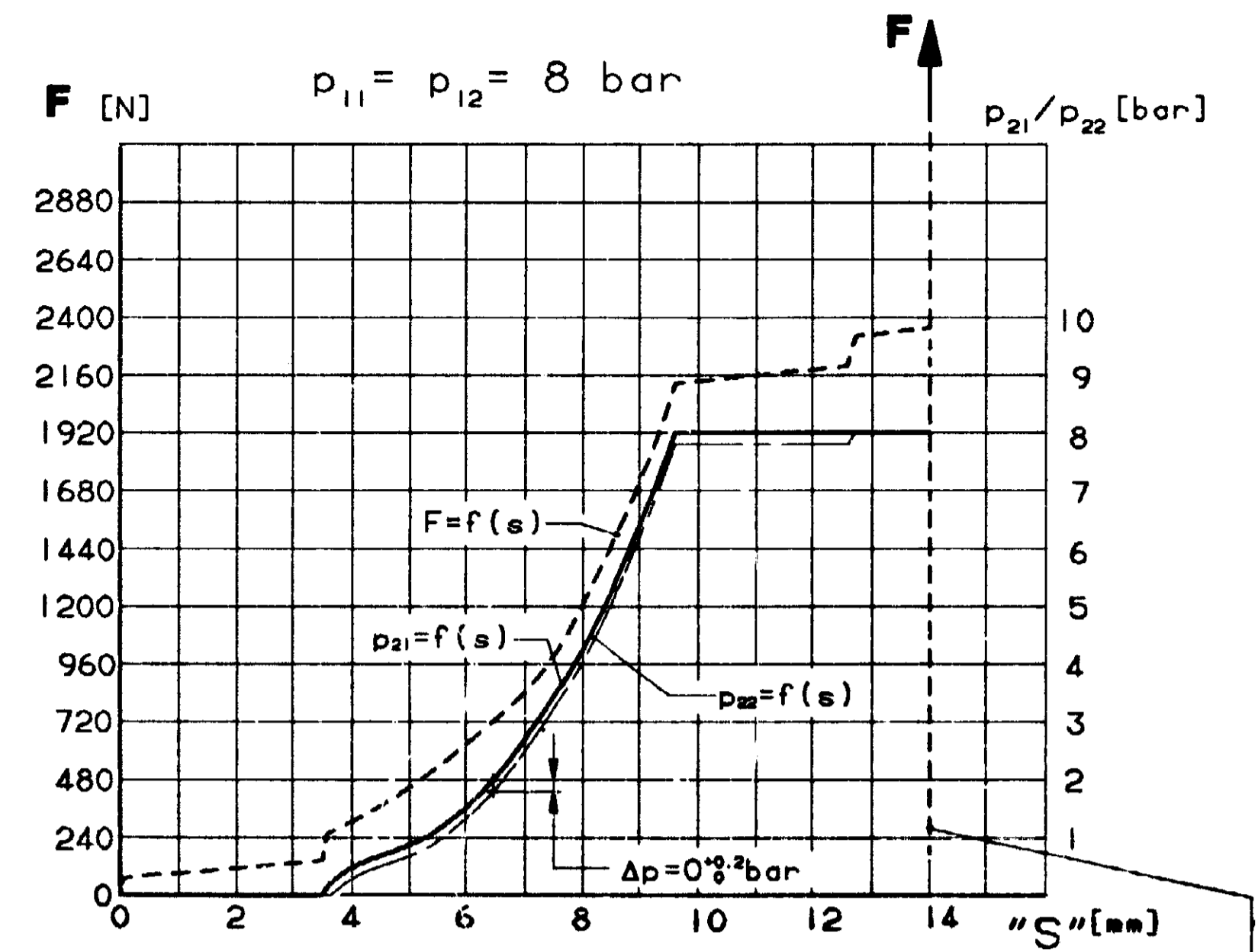


F (MAX. 15000 N)
 ADMISSIBLE
 ZULAESSIG
 ADMISE
 AMMISSIBILE

ALL ROUND
 ALLSEITIG
 UNIVERSAL
 SU CIASCUN LATO
 MAX. 5°



INSTALLATION POSITION: EXHAUST SHOWN AT BASE (AXIS CENTRE OF THE DEVICE DEVIATES MAX. 90° FROM VERTICAL)
 EINBAULAGE: ENTLUEFTUNG NACH UNTEN (MITTELACHSE DES GERAETES MAX. 90° VON DER SENKRECHTEN ABWEICHEND)
 POSITION D'INSTALLATION: ECHAPPEMENT VERS LE BAS (ECART DE L'AXE MEDIAN DE L' APPAREIL PAR RAPPORT A LA RAPPORT A LA VERTICALE: 90° MAX.)
 POSIZIONE DI MONTAGGIO: SCARICO VERSO IL BASSO (DEVIAZIONE ASSE APPARECCHIO RISPETTO ALLA VERTICALE: MAX. 90°)



AT FAILURE CIRCUIT I : NECESSARY COURSE S ≥ 14 mm
 NECESSARY FORCE F = 3400 N
 BEI AUSFALL KREIS I : ERFORDERLICHER WEG S ≥ 14 mm
 ERFORDERLICHE KRAFT F = 3400 N
 EN CAS DE DEFAILLANCE : COURSE NECESSAIRE S ≥ 14 mm
 FORCE NECESSAIRE F = 3400 N
 IN CASO DI DIFETTO : FORZA NECESSARIA S ≥ 14 mm
 FORZA NECESSARIA F = 3400 N

*) STOP WITHIN THE DEVICE ADMISSIBLE
 ANSCHLAG IM GERAET ZULAESSIG
 BUTEE DANS L' APPAREIL ADMISE
 ARRESTO NEL APPARATO AMMISSIBILE

SUPPLY
 VORRAT
 ALIMENTATION
 ALIMENTAZIONE

OUTLET
 AUSGANG
 SORTIE
 USCITA

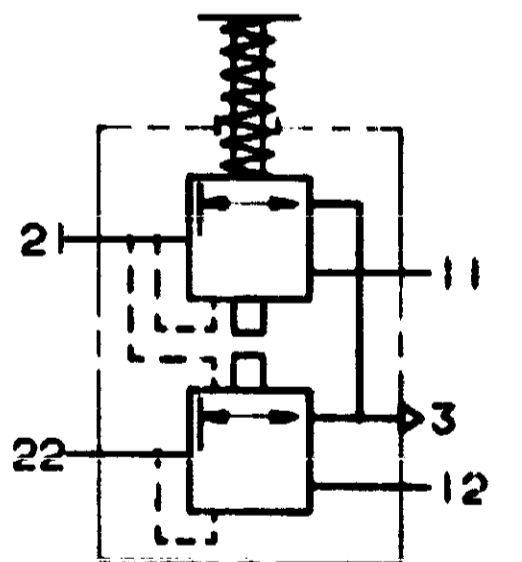
EXHAUST
 ENTLUEFTUNG
 ECHAPPEMENT
 SCARICO

MEDIUM: AIR
 MEDIUM: LUFT
 FLUIDE: AIR
 FLUIDO: ARIA

NOMINAL DIAMETER :
 NENNWEITE :
 DIAMETRE NOMINAL : 78.5 mm ± 0.10
 DIAMETRO NOMINALE :

MAX. WORKING PRESSURE :
 MAX. BETRIEBSDRUCK :
 PRESSION D UTILISATION MAXI : p_e = 10 bar
 PRESSIONE DI ESERCIZIO MAX. :

THERMAL RANGE OF APPLICATION :
 THERM. ANWENDUNGSBEREICH :
 GAMME D APPLICATION THERMIQUE : -40°C...+80°C
 CAMPO CI APPLICAZIONE TERMICA :



FURTHER TECHNICAL DATA SEE				COPYRIGHT		GLAYTON BEWÄHRE	
IDENTIFICATION NO. 1				DATE		SIGNATURE	
CODE FOR DOCUMENT: 605 SHEET: TO				DRAWN		M. SGF	
GENERAL TOLERANCES				CHECKED		MOTWGN-BREMSVENTIL	
CLASS				STANDARDIZATION		ROBINET DE FREINAGE	
RANGE OF NOMINAL DIMENSIONS (± mm)				86-12-23 PANTZER		DISTRIBUTORE DI COMANDO	
I 0.5 1.0 1.5 2.0				MASS		PRODUCT IDENTIFICATION NO.	
II X 1.0 2.0 3.0 4.0				1.250		461 315 479 0	
III 2.0 3.0 5.0 6.0				SIZE		605	
TAPPED HOLES ACC. ISO 4039 / JED-102				DOZ-NO.		REV.	
1) TOLERANCE CLASS APPLIED CROSSMARKED				DATE		DATE FOR BUYER REPLACEMENT FOR	
				A 140		518	
				EXPERT CODE 7136		TYPE OF PRODUCT 010X	