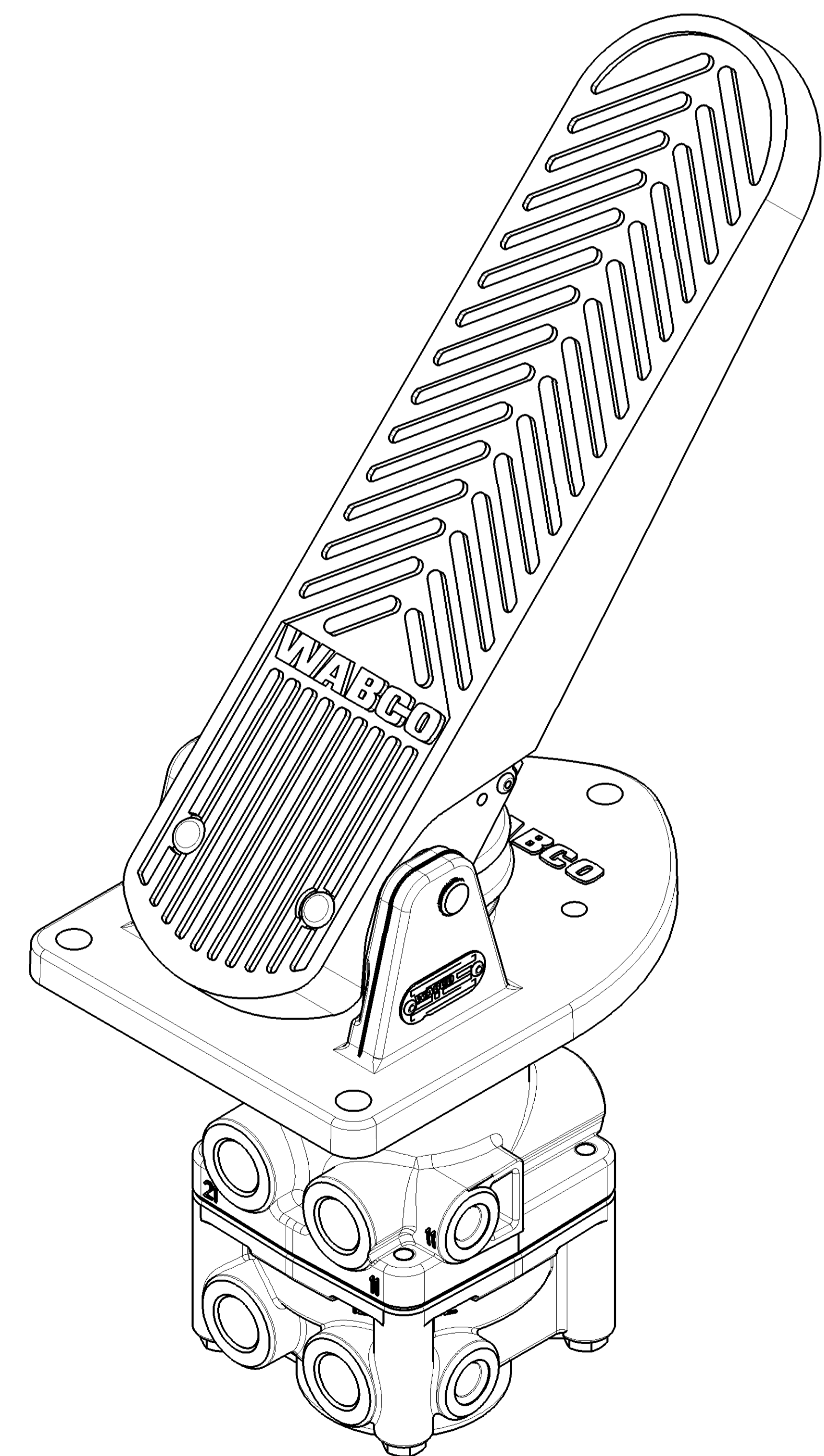
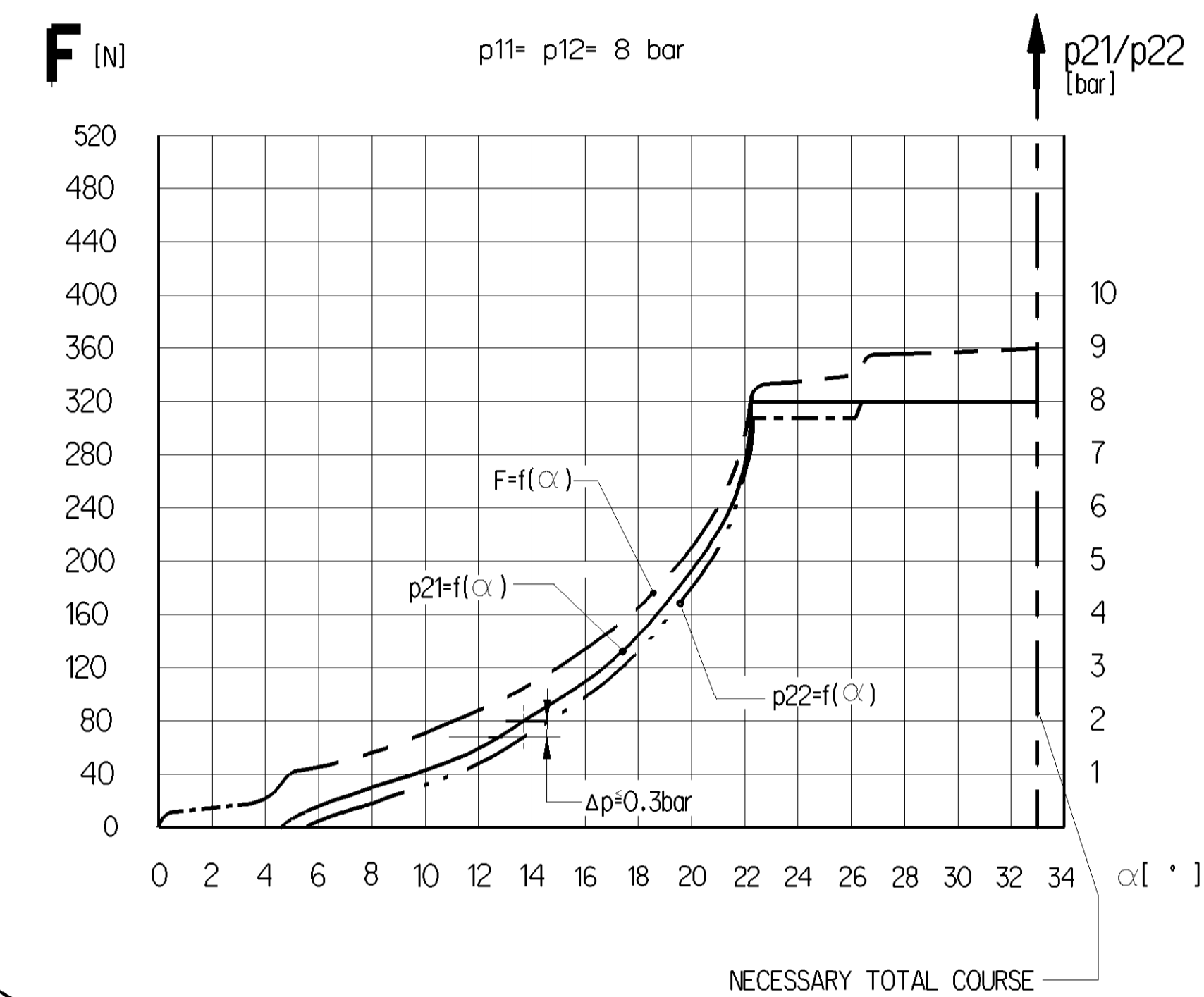
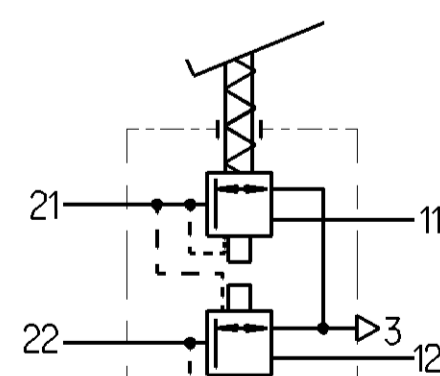


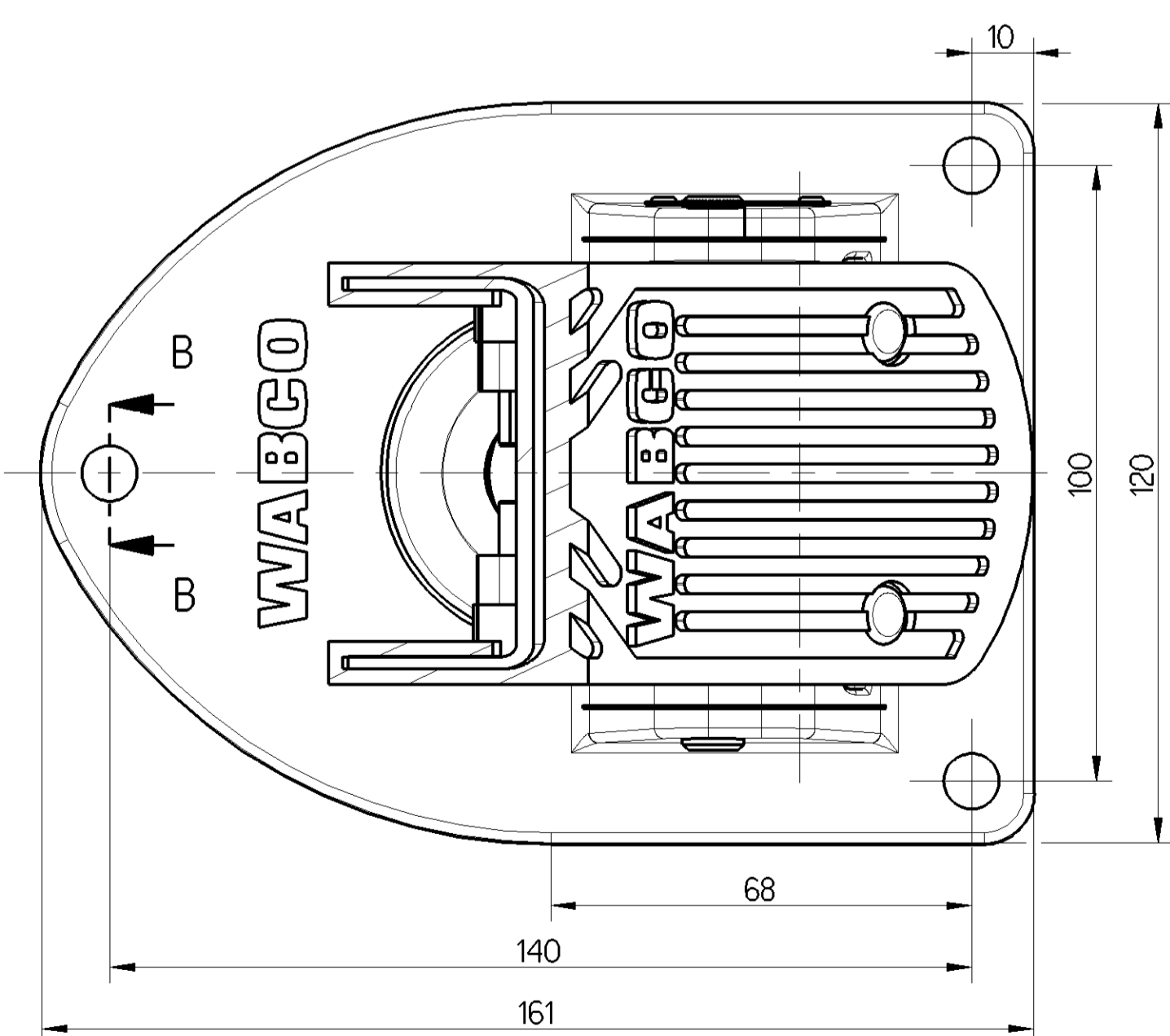
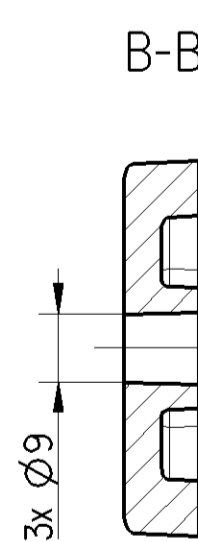
- ① WABCO PART NUMBER
- ② WEEK AND YEAR OF MANUFACTURING
- ③ CUSTOMER PART NUMBER
- ④ MANUFACTURING LOCATION CODE
- ⑤ SERIAL NUMBER



SCHEMATIC DIAGRAM



- 11 / 12 - SUPPLY
- 21 / 22 - OUTLET
- 3 - EXHAUST



A-A

S.No.	NOTES
1	PRODUCT FUNCTION AND RELIABILITY
1.1	WORKING MEDIUM AIR
1.2	NORMAL WORKING PRESSURE 8.5 bar
1.3	MAXIMUM OPERATING PRESSURE (TEMPORARILY) 10 bar
1.4	NOMINAL FLOW DIAMETER Ø10 mm
1.5	THERMAL RANGE OF APPLICATION -40°C TO +80°C
1.6	INSTALLATION POSITION EXHAUST SHOWN AT BASE (AXIS CENTER OF THE DEVICE DEVIATES MAX. ±45° FROM VERTICAL)
2	OPEN PORTS ARE FITTED WITH CLOSURE PLUGS FOR STORAGE AND TRANSIT PURPOSES

S.NO	MATERIAL	SURFACE PROTECTION
I	PUR , JED-047-M1	-
II	STEEL , JED-021-M4	Zn/Fe , JED-256-3
III	Al , JED-001-M3	Cr(III) , JED-259
IV	PVC , JED-005M	-
V	POM , JED-005M	-
VI	STEEL , JED-027-M	Zn/Fe , JED-256
VII	POM , JED-005M	-
VIII	Al , JED-077-1	ANODIZED , JED-007-1
IX	PAG.6 , JED-359	-
X	STEEL , JED-051-M4	Zn/Fe , JED-256-1
XI	STEEL , JED-051-M4	Zn/Fe , JED-256-1
XII	STEEL , JED-022-M3	Zn/Fe , JED-256
XIII	Al , JED-029-M1	Cr(III) , JED-259
XIV	Al , JED-029-M1	Cr(III) , JED-259
XV	STEEL , JED-051-M4	Zn/Fe , JED-256-1
XVI	POM , JED-005-M1	-
XVII	STEEL , JED-021-M3	Zn/Fe , JED-256-1
XVIII	ALMG 3.5	BONDED COATING
XIX	ALMG 5	-
XX	NER , JED-235	-

PORT NUMBER	11, 12, 21, 22 ⑥
THREAD TYPE	M16x1.5 / JED-152
PERMISSIBLE TORQUE	MAX. 34 Nm / ACC. TO JED-366

General Specifications: JED-334-1, Size ISO 14400 LP		Copyright WABCO®		<b>WABCO</b>	
Further Technical Data: 461 317 019 0		Doc. Code: 035		2016-12-08	
Class 10		Medium X		Coarse	
Tapped Holes acc. to ISO 22539		A 0		CREO	
Part No. 461 317 019 0		Revision 6		Date of 1st issue 005 EN 1/1	