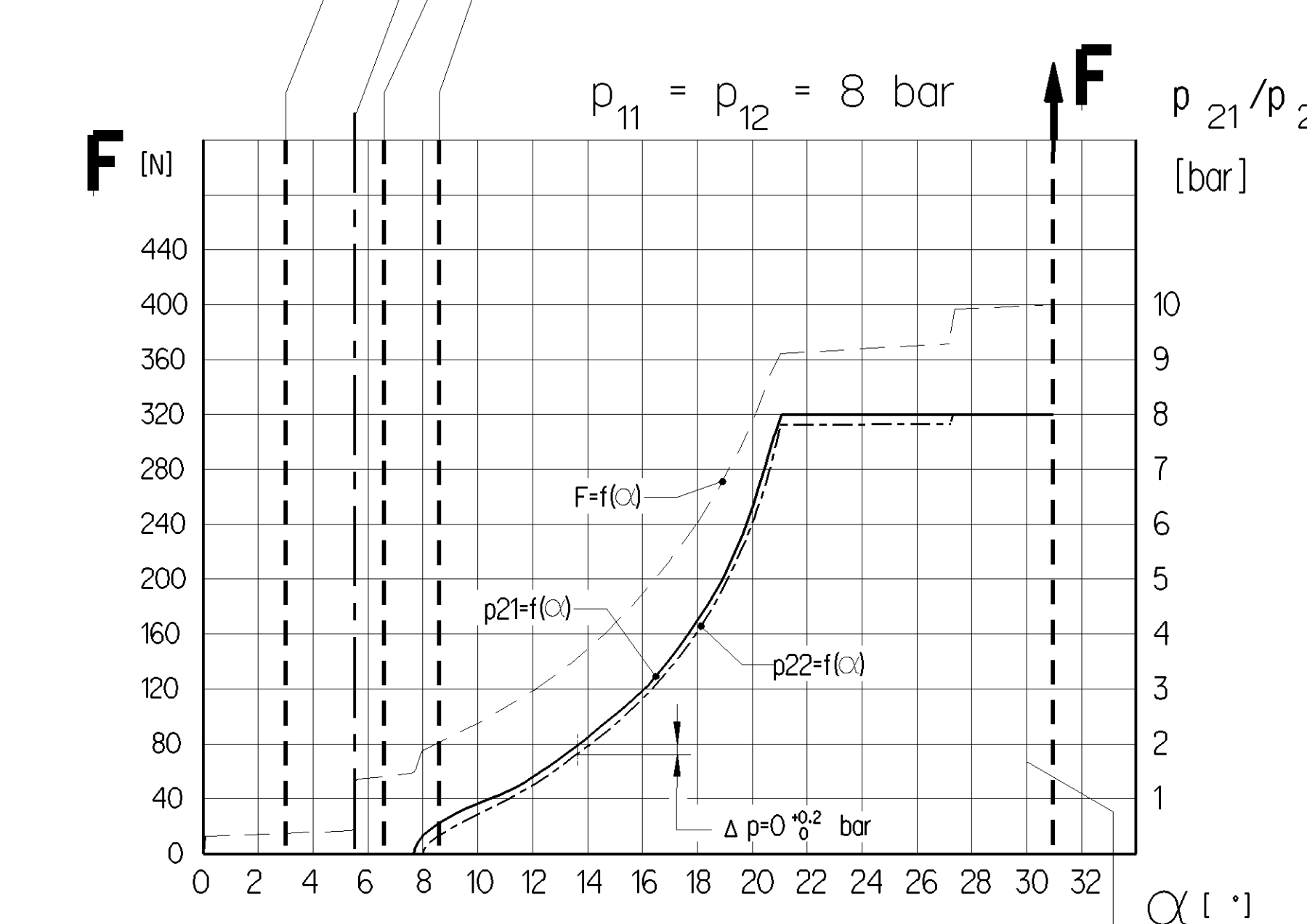


PULL OFF POINT (MECHANICAL)  
DRUCKPUNKT (MECHANISCH)  
POINT DE POUSSEE (MECHANIQUE)  
PUNTO DI RESISTENZA (MECCANICO)

SWITCH ON POINT OF SWITCH I  
EINSCHALTPUNKT SCHALTER I  
POINT DE FERMETURE DU CONTACTEUR I  
PUNTO DI CHIUSURA DEL INSERITORE I

SWITCH ON POINT OF SWITCH II  
EINSCHALTPUNKT SCHALTER II  
POINT DE FERMETURE DU CONTACTEUR II  
PUNTO DI CHIUSURA DEL INSERITORE II

SWITCH ON POINT OF SWITCH III  
EINSCHALTPUNKT SCHALTER III  
POINT DE FERMETURE DU CONTACTEUR III  
PUNTO DI CHIUSURA DEL INSERITORE III



11/12 SUPPLY VORRAT ALIMENTAZIONE  
21/22 OUTLET SORTIE USCITA  
3 EXHAUST ENTLUEFTUNG ECHAPPEMENT SCARICO

MEDIUM: AIR  
MEDIUM: LUFT  
FLUIDE: AIR  
FLUIDO: ARIA

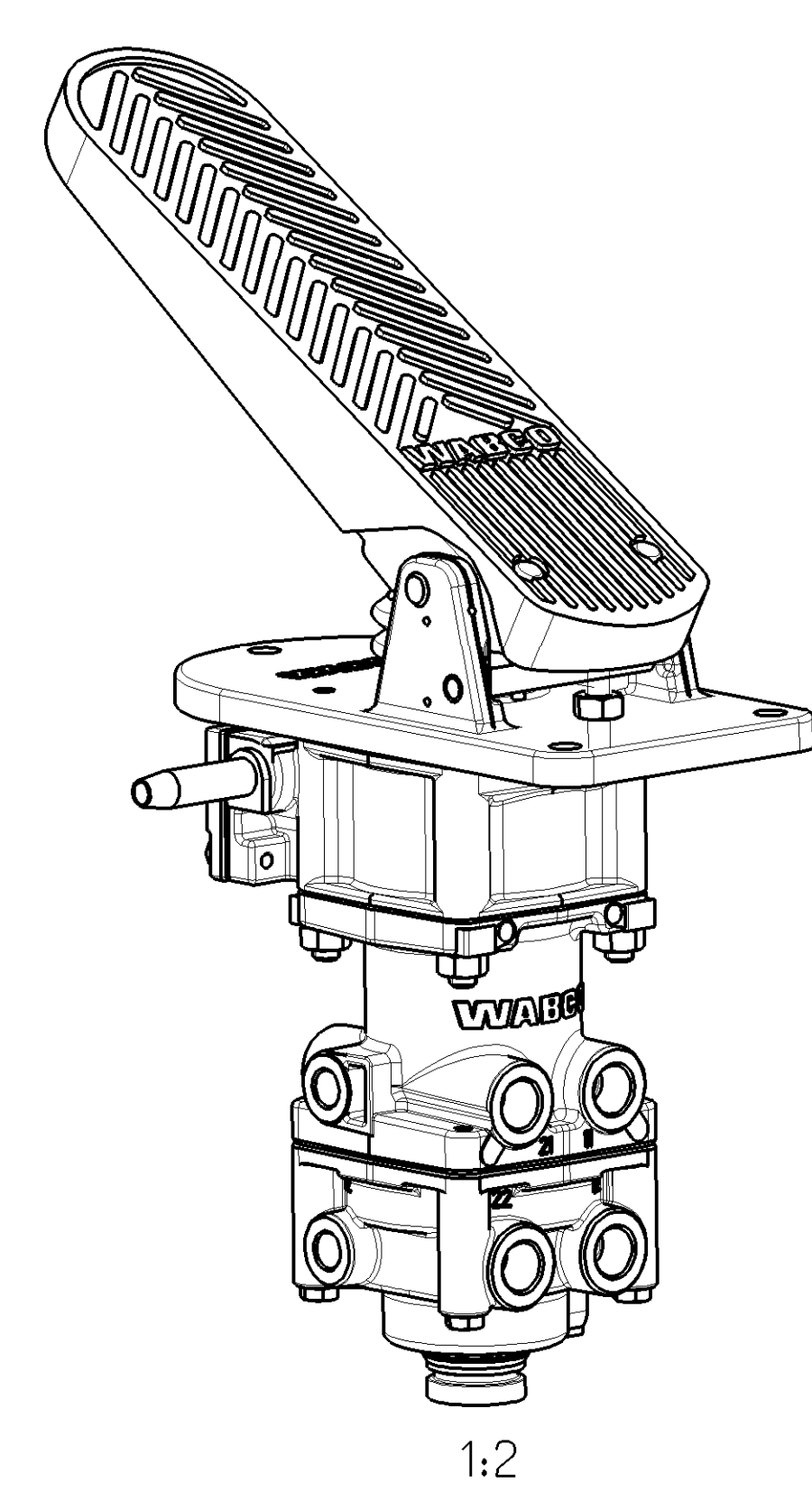
NOMINAL DIAMETER :  
NENNWEITE : 78.5 mm ± Ø10 mm  
DIAMETRE NOMINAL :  
DIAMETRO NOMINALE :

MAX. WORKING PRESSURE :  
MAX. BETRIEBSDRUCK  
PRESSION D'UTILISATION MAX. I.  
PRESSIONE DI ESERCIZIO MAX. :

Therm. Anwendungsbereich :  
GAMME D'APPLICATION THERMIQUE:  
CAMPO DI APPLICAZIONE TERMICA:

INSTALLATION POSITION : EXHAUST SHOWN AT BASE (AXIS CENTRE OF THE DEVICE DEVIATES MAX. 90° FROM VERTICAL)  
EINBAULAGE : ENTLUEFTUNG NACH UNTEN (MITTELACHSE DES GERÄTES MAX. 90° VON DER SENKRECHTEN ABWEICHEND)  
POSITION D'INSTALLATION: ECHAPPEMENT VERS LA BAS (ECART DE L'AXE VERTICALE: 90° MAX.)  
POSIZIONE DI MONTAGGIO : SCARICO VERSO IL BASSO (DEVIAZIONE ASSE APPARECCHIO RISPETTO ALLA VERTICALE: MAX. 90°)

SWITCH LOAD I, II, III : AT 24 V - 1 A (INDUCTIVE LOAD)  
SCHALTERBELASTUNG I, II, III : BEI 24 V - 1 A (INDUKTIVE LAST)  
CHARGE DU CONTACTEUR I, II, III : A 24 V - 1 A (CHARGE INDUCTIVE)  
CARICO DELL'INSERITORE I, II, III : A 24 V - 1 A (CARICO INDUTTIVO)



General Specifications: 461 318 005 LP		Copyright WABCO®		<b>WABCO</b>	
Further Technical Data: 461 318 006 0		Date: 2015-06-04		Doc. Code: 030	
Doc. Code: 030		Sheet: 1		To: 26/30°	
General Tolerances: 461-261		Checked: Rajasekaran		BRAKE VALVE	
Range of Nominal Dimensions (± mm)		2015-E-201		MOTORWAGEN-BREMSENVENTIL	
Class 1: ± 0.10		A0		ROBINET DE FREINAGE	
Class 2: ± 0.15		A0		DISTRIBUTORE DI COMANDO	
Class 3: ± 0.20		A0		Date of 1st issue: 005 ML 1/1	
Class 4: ± 0.30		A0		Revision: 4	
Class 5: ± 0.40		A0		Tolerance: 500	
Class 6: ± 0.50		A0		Tolerance: 500	
Class 7: ± 0.60		A0		Tolerance: 500	
Class 8: ± 0.70		A0		Tolerance: 500	
Class 9: ± 0.80		A0		Tolerance: 500	
Class 10: ± 0.90		A0		Tolerance: 500	
Class 11: ± 1.00		A0		Tolerance: 500	
Class 12: ± 1.10		A0		Tolerance: 500	
Class 13: ± 1.20		A0		Tolerance: 500	
Class 14: ± 1.30		A0		Tolerance: 500	
Class 15: ± 1.40		A0		Tolerance: 500	
Class 16: ± 1.50		A0		Tolerance: 500	
Class 17: ± 1.60		A0		Tolerance: 500	
Class 18: ± 1.70		A0		Tolerance: 500	
Class 19: ± 1.80		A0		Tolerance: 500	
Class 20: ± 1.90		A0		Tolerance: 500	
Class 21: ± 2.00		A0		Tolerance: 500	
Class 22: ± 2.10		A0		Tolerance: 500	
Class 23: ± 2.20		A0		Tolerance: 500	
Class 24: ± 2.30		A0		Tolerance: 500	
Class 25: ± 2.40		A0		Tolerance: 500	
Class 26: ± 2.50		A0		Tolerance: 500	
Class 27: ± 2.60		A0		Tolerance: 500	
Class 28: ± 2.70		A0		Tolerance: 500	
Class 29: ± 2.80		A0		Tolerance: 500	
Class 30: ± 2.90		A0		Tolerance: 500	
Class 31: ± 3.00		A0		Tolerance: 500	
Class 32: ± 3.10		A0		Tolerance: 500	
Class 33: ± 3.20		A0		Tolerance: 500	
Class 34: ± 3.30		A0		Tolerance: 500	
Class 35: ± 3.40		A0		Tolerance: 500	
Class 36: ± 3.50		A0		Tolerance: 500	
Class 37: ± 3.60		A0		Tolerance: 500	
Class 38: ± 3.70		A0		Tolerance: 500	
Class 39: ± 3.80		A0		Tolerance: 500	
Class 40: ± 3.90		A0		Tolerance: 500	
Class 41: ± 4.00		A0		Tolerance: 500	
Class 42: ± 4.10		A0		Tolerance: 500	
Class 43: ± 4.20		A0		Tolerance: 500	
Class 44: ± 4.30		A0		Tolerance: 500	
Class 45: ± 4.40		A0		Tolerance: 500	
Class 46: ± 4.50		A0		Tolerance: 500	
Class 47: ± 4.60		A0		Tolerance: 500	
Class 48: ± 4.70		A0		Tolerance: 500	
Class 49: ± 4.80		A0		Tolerance: 500	
Class 50: ± 4.90		A0		Tolerance: 500	
Class 51: ± 5.00		A0		Tolerance: 500	
Class 52: ± 5.10		A0		Tolerance: 500	
Class 53: ± 5.20		A0		Tolerance: 500	
Class 54: ± 5.30		A0		Tolerance: 500	
Class 55: ± 5.40		A0		Tolerance: 500	
Class 56: ± 5.50		A0		Tolerance: 500	
Class 57: ± 5.60		A0		Tolerance: 500	
Class 58: ± 5.70		A0		Tolerance: 500	
Class 59: ± 5.80		A0		Tolerance: 500	
Class 60: ± 5.90		A0		Tolerance: 500	
Class 61: ± 6.00		A0		Tolerance: 500	
Class 62: ± 6.10		A0		Tolerance: 500	
Class 63: ± 6.20		A0		Tolerance: 500	
Class 64: ± 6.30		A0		Tolerance: 500	
Class 65: ± 6.40		A0		Tolerance: 500	
Class 66: ± 6.50		A0		Tolerance: 500	
Class 67: ± 6.60		A0		Tolerance: 500	
Class 68: ± 6.70		A0		Tolerance: 500	
Class 69: ± 6.80		A0		Tolerance: 500	
Class 70: ± 6.90		A0		Tolerance: 500	
Class 71: ± 7.00		A0		Tolerance: 500	
Class 72: ± 7.10		A0		Tolerance: 500	
Class 73: ± 7.20		A0		Tolerance: 500	
Class 74: ± 7.30		A0		Tolerance: 500	
Class 75: ± 7.40		A0		Tolerance: 500	
Class 76: ± 7.50		A0		Tolerance: 500	
Class 77: ± 7.60		A0		Tolerance: 500	
Class 78: ± 7.70		A0		Tolerance: 500	
Class 79: ± 7.80		A0		Tolerance: 500	
Class 80: ± 7.90		A0		Tolerance: 500	
Class 81: ± 8.00		A0		Tolerance: 500	
Class 82: ± 8.10		A0		Tolerance: 500	
Class 83: ± 8.20		A0		Tolerance: 500	
Class 84: ± 8.30		A0		Tolerance: 500	
Class 85: ± 8.40		A0		Tolerance: 500	
Class 86: ± 8.50		A0		Tolerance: 500	
Class 87: ± 8.60		A0		Tolerance: 500	
Class 88: ± 8.70		A0		Tolerance: 500	
Class 89: ± 8.80		A0		Tolerance: 500	
Class 90: ± 8.90		A0		Tolerance: 500	
Class 91: ± 9.00		A0		Tolerance: 500	
Class 92: ± 9.10		A0		Tolerance: 500	
Class 93: ± 9.20		A0		Tolerance: 500	
Class 94: ± 9.30		A0		Tolerance: 500	
Class 95: ± 9.40		A0		Tolerance: 500	
Class 96: ± 9.50		A0		Tolerance: 500	
Class 97: ± 9.60		A0		Tolerance: 500	
Class 98: ± 9.70		A0		Tolerance: 500	
Class 99: ± 9.80		A0		Tolerance: 500	
Class 100: ± 9.90		A0		Tolerance: 500	
Class 101: ± 10.00		A0		Tolerance: 500	