

**SUPPLY** 11/12  
**VORRAT**  
**ALIMENTATION**  
**ALIMENTAZIONE**

**OUTLET** 21/22  
**AUSGANG**  
**SORTIE**  
**USCITA**

**EXHAUST** 3  
**ENTLUEFTUNG**  
**ECHAPPMENT**  
**SCARICO**

**MEDIUM: AIR**  
**MEDIUM: LUFT**  
**FLUIDO: AIR**  
**FLUIDO: ARIA**

**NOMINAL DIAMETER:** 78.5 mm<sup>2</sup> ± ∅10  
**DIAMETRE NOMINAL:**  
**DIAMETRO NOMINALE:**

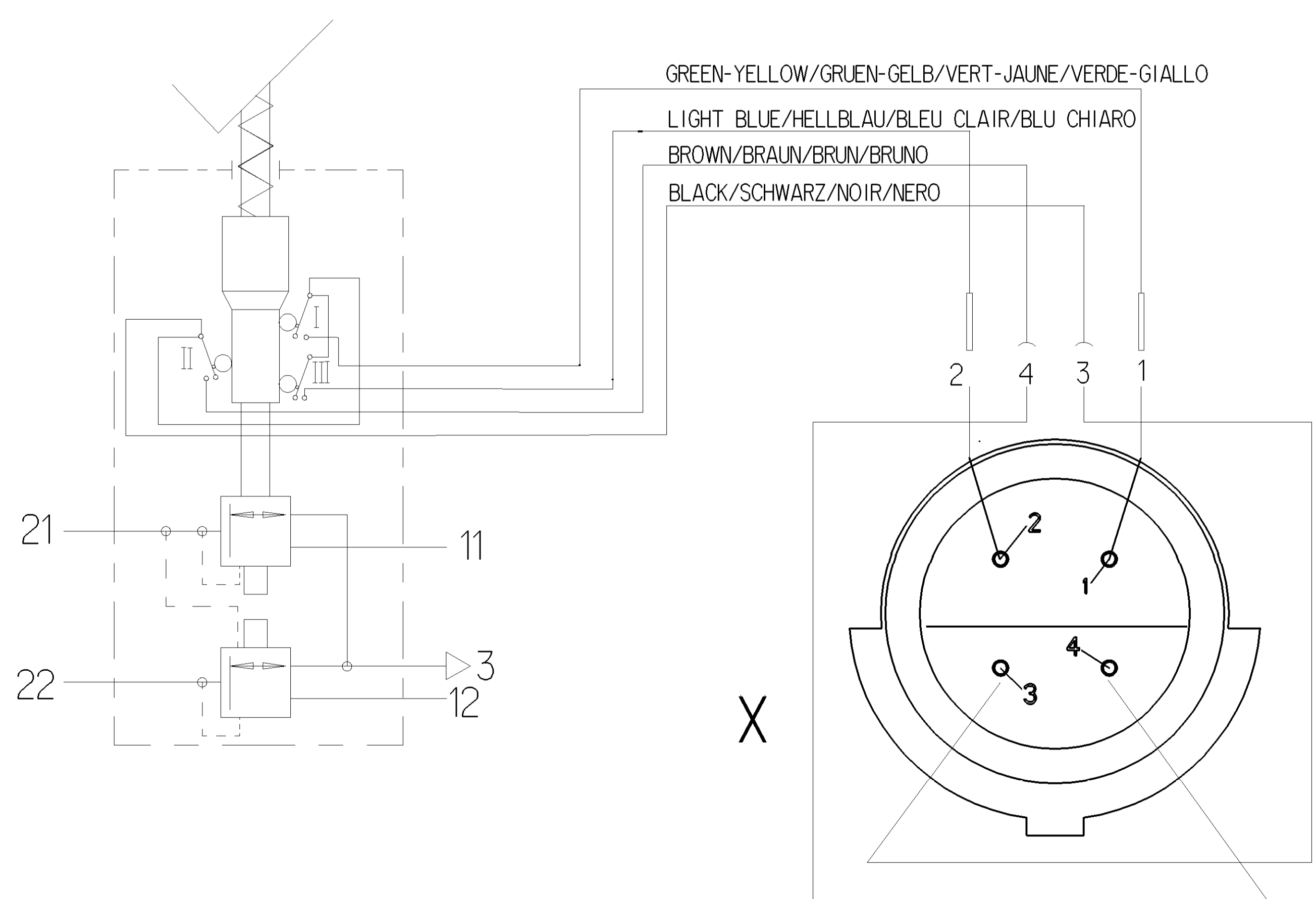
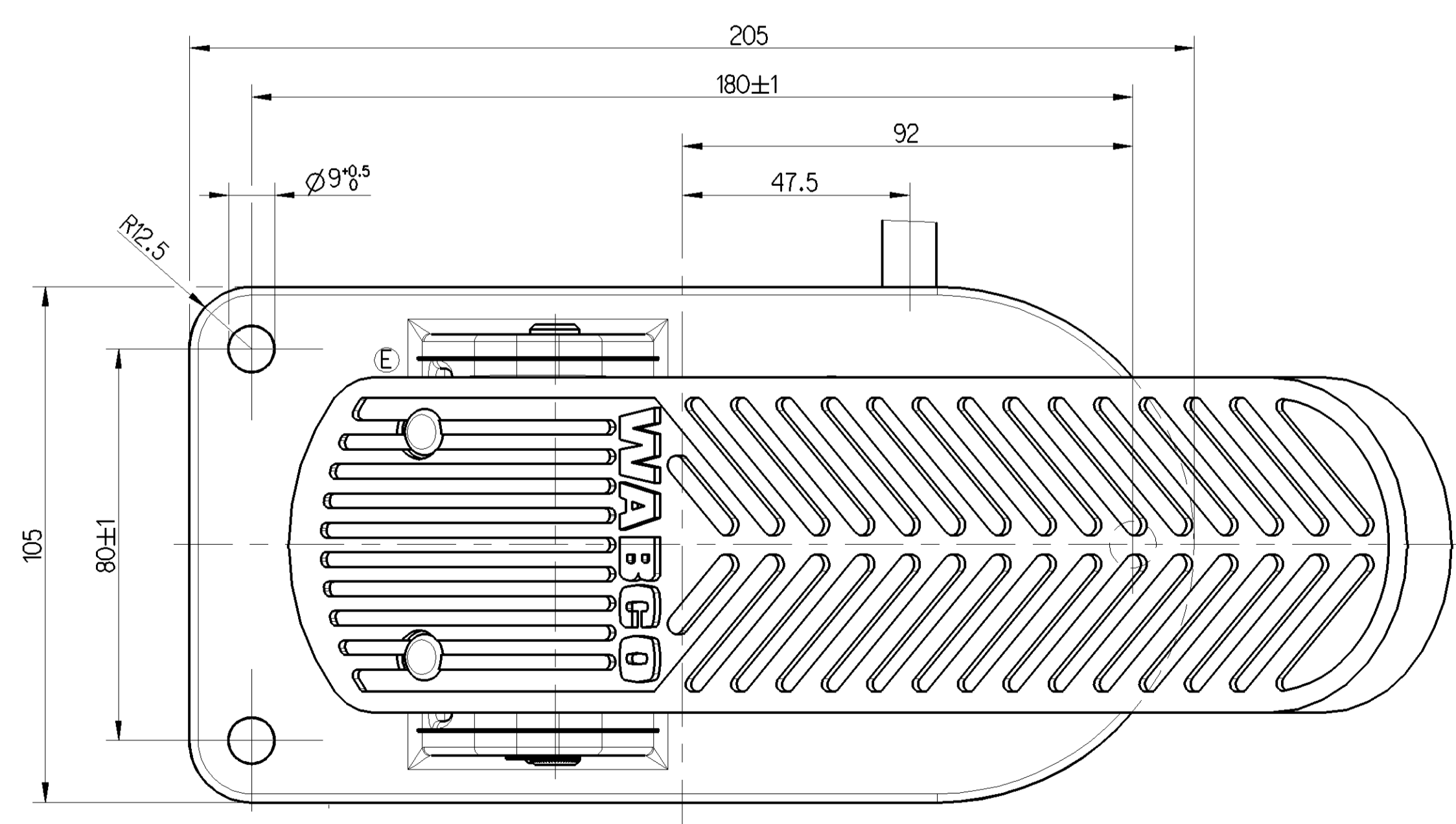
**WORKING PRESSURE:** pe max. = 8.5 bar (TEMPORARILY) : pe max. = 10 bar (KURZZEITIG)  
**PRESSION D'UTILISATION:** (DE COURTE DUREE)  
**PRESSIONE DI ESERCIZIO:** (BREVE TEMPO SOLO)

**THERMAL RANGE OF APPLICATION:** -40°C ... +80°C  
**THERM. ANWENDUNGSBEREICH:**  
**GAMME D'APPLICATION THERMIQUE:**  
**CAMPO DI APPLICAZIONE TERMICA:**

**INSTALLATION POSITION:** EXHAUST SHOWN AT BASE (AXIS CENTRE OF THE DEVICE DEVIATES MAX. 45° FROM VERTICAL)  
**EINBAULAGE:** ENTLUEFTUNG NACH UNTEN (MITTELACHSE DES GERÄTES MAX. 45° VON DER SENKRECHTEN ABWEICHEND)  
**POSITION D'INSTALLATION:** ECHAPPMENT VERS LA BAS (ECART DE L'AXE MEDIAN DE L'APPAREIL PAR RAPPORT A LA VERTICALE: 45° MAX.)  
**POSIZIONE DI MONTAGGIO:** SCARICO VERSO IL BASSO (DEVIAZIONE ASSE APPARECCHIO RISPETTO ALLA VERTICALE: MAX. 45°)

**SWITCH LOAD I, II, III:** AT 24 V - 1 A (INDUCTIVE LOAD)  
**SCHALTERBELASTUNG I, II, III:** BEI 24 V - 1 A (INDUKTIVE LAST)  
**CHARGE DU CONTACTEUR I, II, III:** A 24 V - 1 A (CHARGE INDUCTIVE)  
**CARICO DELL'INSERTORE I, II, III:** A 24 V - 1 A (CARICO INDUTTIVO)

**TORQUE FOR CONNECTIONS:** M12x1.5: M-MAX. 21 Nm  
**ANZUGSMOMENT FLUER EINSCHRAUBSTUTZEN:** M16x1.5: M-MAX. 34 Nm  
**COUPLE DE SERRAGE DES RACCORDS:**  
**COPPIA DI SERRAGGIO DEI RACCORDI:**



General Specifications: 4E-554-1, Size ISO 14400 LP		Copyright WABCO®		<b>WABCO</b>	
Further Technical Data: 461 318 047 0		Doc. Code: 035		26/35°	
Date: 2016-06-16		Drawn: RAJASEKARAN		Checked: Kwiecien	
Date: 2016-09-24		Drawn: Kwiecien		Checked: ADAMSKI	
Class: 1		Series: 1		Material: 005 ML 1/1	
Part: 461 318 047 0		Scale: 1:2		Revision: 5 E	
Course: 1		Size: A 0		Production: 592	
Tapped holes acc. ISO 4039 / JIS B12		Tapped holes acc. ISO 4039 / JIS B12		Replacement for: -	
Tolerance class: Appr. Uncontrolled		Tolerance class: Appr. Uncontrolled		Tolerance class: Appr. Uncontrolled	