

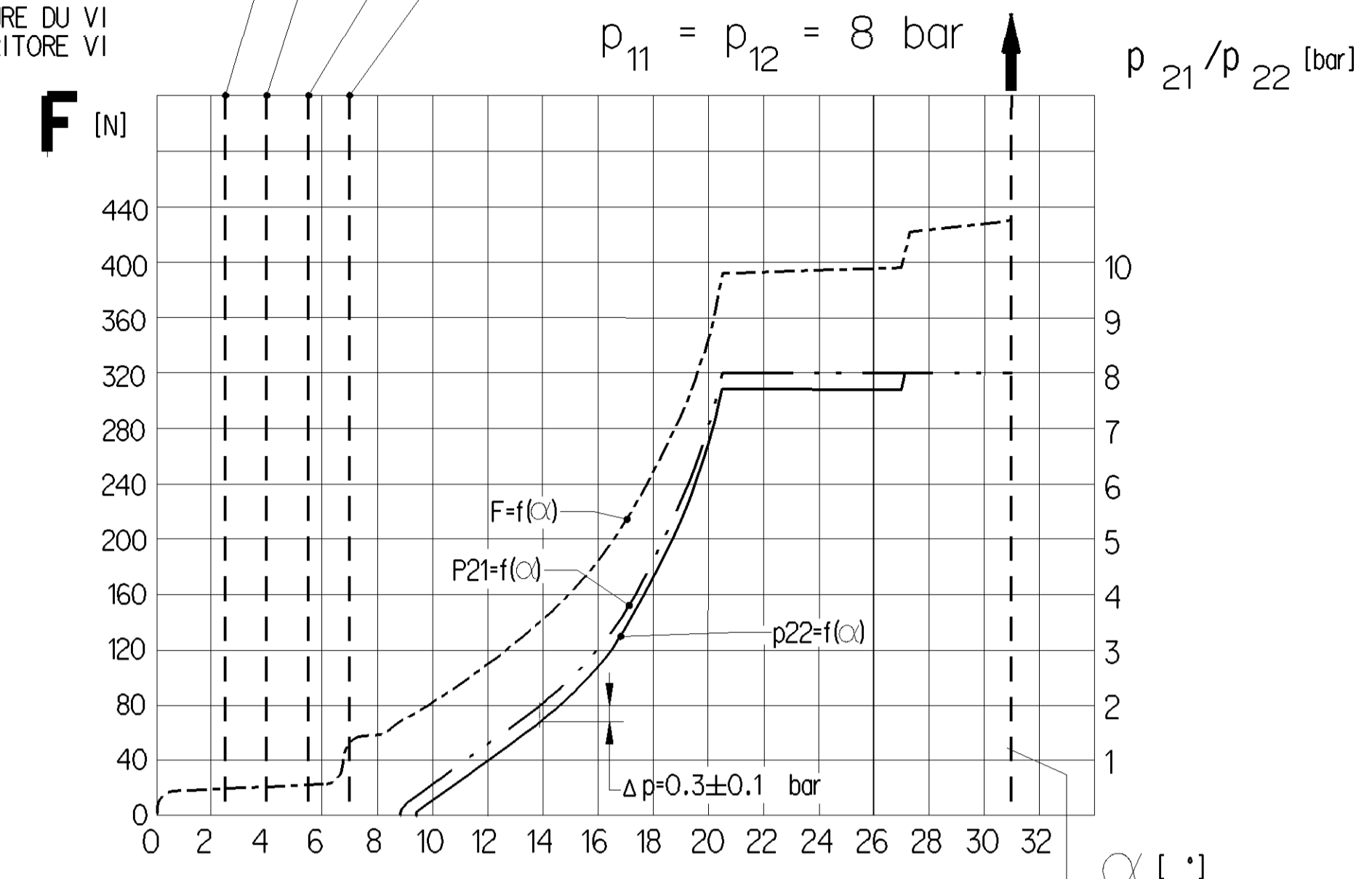
SWITCH ON POINT OF SWITCH II
EINSCHALTPUNKT SCHALTER II
POINT DE FERMETURE DU CONTACTEUR II
PUNTO DI CHIUSURA DELL'INSERITORE II

SWITCH ON POINT OF SWITCH I, IV, V
EINSCHALTPUNKT SCHALTER I, IV, V
POINT DE FERMETURE DU CONTACTEUR I, IV, V
PUNTO DI CHIUSURA DELL'INSERITORE I, IV, V

SWITCH OFF POINT OF SWITCH VI
AUSSCHALTPUNKT SCHALTER VI
POINT D'OUVERTURE DU VI
PUNTO DI APERTURA DEL INSERITORE VI

SWITCH ON POINT OF SWITCH III
EINSCHALTPUNKT SCHALTER III
POINT DE FERMETURE DU CONTACTEUR III
PUNTO DI CHIUSURA DEL INSERITORE III

PULL OFF POINT (MECHANICAL)
DRUCKPUNKT (MECHANISCH)
POINT DE POUSSEE (MECANIQUE)
PUNTO DI RESISTENZA (MECCANICO)



MEDIUM: AIR
MEDIUM: LUFT
FLUIDE: AIR
FLUIDO: ARIA

11/12 SUPPLY
VORRAT
ALIMENTATION
ALIMENTAZIONE

21/22 OUTLET
AUSGANG
SORTIE
USCITA

3 EXHAUST
ENTLUEFTUNG
ECHAFFEMENT
SCARICO

NOMINAL DIAMETER :
NENNWEITE : 78.5 mm ± 0.10 mm
DIAMETRO NOMINALE :

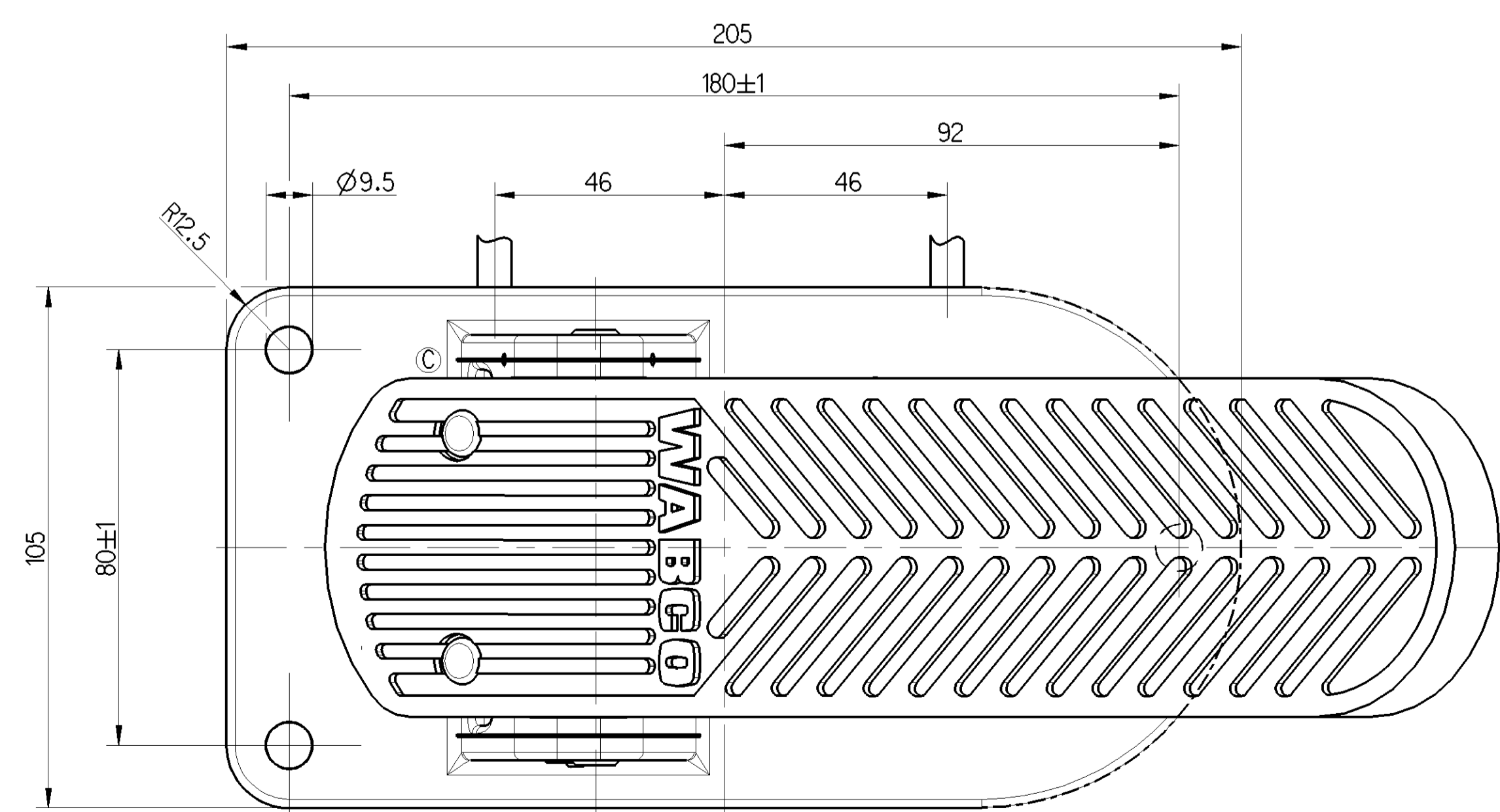
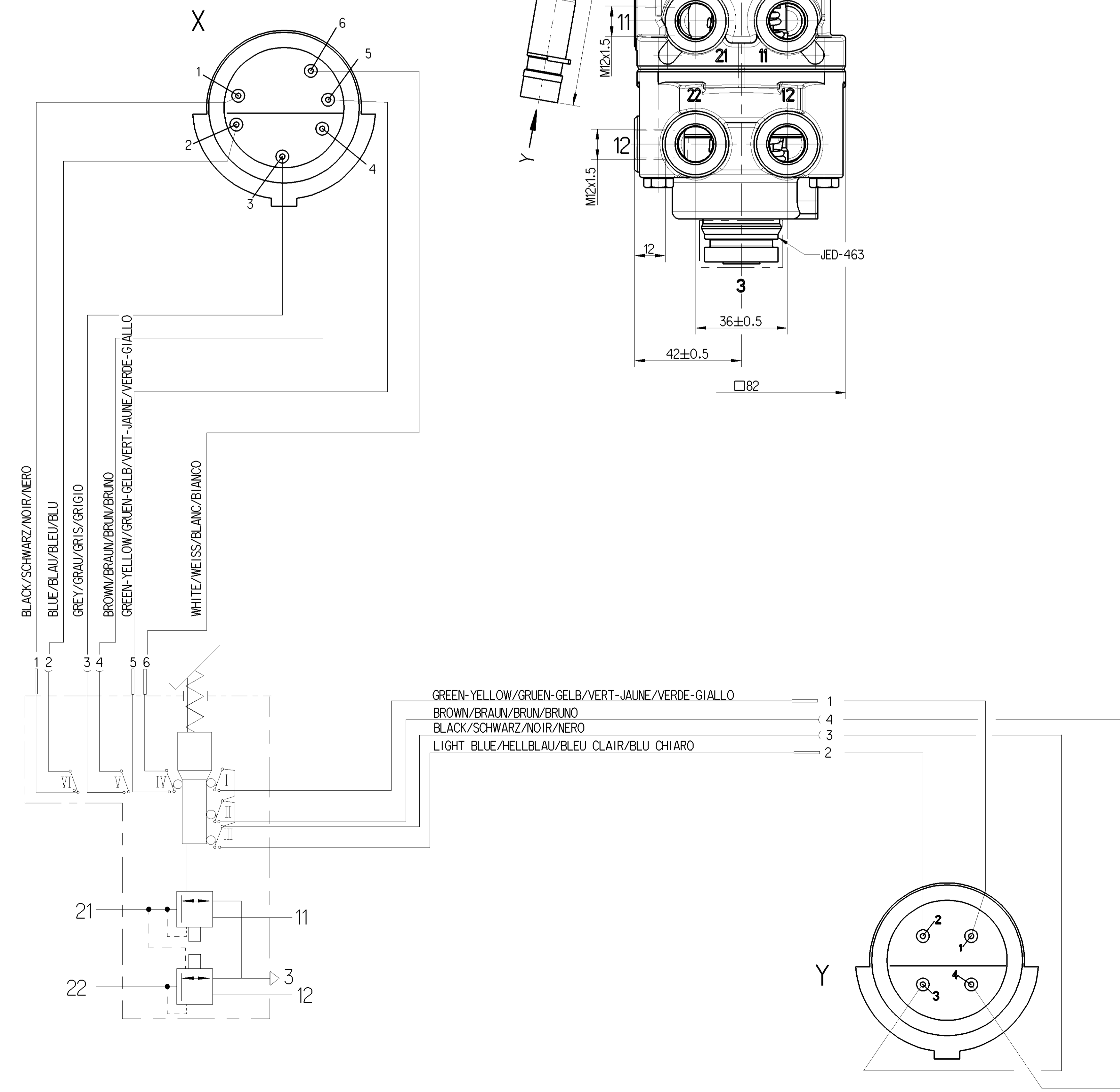
WORKING PRESSURE :
BETRIEBSDRUCK : p_g MAX. = 8.5 bar (TEMPORARILY / KURZZEITIG : p_g MAX. = 10 bar)
PRESSION D'UTILISATION :
PRESSIONE DI ESERCIZIO :

THERMAL RANGE OF APPLICATION :
THERM. ANWENDUNGSBEREICH : -40 °C ... +80 °C
GAMME D'APPLICATION THERMIQUE :
CAMPO DI APPLICAZIONE TERMICA :

INSTALLATION POSITION: EXHAUST SHOWN AT BASE (AXIS CENTRE OF THE DEVICE DEVIATES MAX. 45° FROM VERTICAL)
EINBAULAGE: ENTLUEFTUNG NACH UNTEN (MITTELACHSE DES GERAEATES MAX. 45° VON DER SENKRECHTEN ABWEICHEND)
POSITION D'INSTALLATION: ECHAFFEMENT VERS LA BAS (ECART DE L'AXE MEDIAN DE L'APPAREIL PAR RAPPORT A LA VERTICALE: 45° MAX.)
POSIZIONE DI MONTAGGIO: SCARICO VERSO IL BASSO (DEVIAZIONE ASSE APPARECCHIO RISPETTO ALLA VERTICALE: MAX. 45°)

SWITCH LOAD I, II, III, IV, V, VI : AT 24 V - 0.4 A (INDUCTIVE LOAD)
SCHALTERBELASTUNG I, II, III, IV, V, VI : BEI 24 V - 0.4 A (INDUKTIVE LAST)
CHARGE DU CONTACTEUR I, II, III, IV, V, VI : A 24 V - 0.4 A (CHARGE INDUCTIVE)
CARICO DELL'INSERITORE I, II, III, IV, V, VI : A 24 V - 0.4 A (CARICO INDUTTIVO)

TORQUE FOR CONNECTIONS:
ANZUGSMOMENT FLUR EINSCHRAUBSTUTZEN: M12x1.5: M_{max} = 21 Nm
COUPLE DE SERRAGE DES RACCORDS: M16x1.5: M_{max} = 34 Nm
COPPIA DI SERRAGGIO DEI RACCORDI:



| | | | | | |
|--|-------|------------------|-------|--------------------------|-------|
| General Specifications: 4EJ-554-1, Size ISO 14400 LP | | Copyright WABCO® | | WABCO | |
| Further Technical Data: 461 318 056 0 | | Date: 2016-06-16 | | System: BRAKE VALVE | |
| Doc. Code: 0391 | | Sheet: 1 | | To: 26/35° | |
| General Tolerance: 4EJ-261 | | Date: 2016-09-24 | | Distributor: RAJASEKARAN | |
| Range of Nominal Dimensions (± mm) | | Date: 2016-09-24 | | Distributor: KALICAN | |
| Class | ± 0.5 | ± 0.5 | ± 1.0 | ± 1.5 | ± 2.0 |
| Medium | 1.0 | 2.0 | 3.0 | 4.0 | ±3° |
| Course | 2.0 | 3.5 | 5.0 | 6.5 | |
| Tapped holes acc. ISO 4039 / 4EJ-152 | | Size: 3.5 | | 1:1 | |
| Tolerance class: 4EJ-152 | | Size: 16 | | 1:2 | |
| Tapped holes acc. ISO 4039 / 4EJ-152 | | Size: 3.5 | | 1:1 | |
| Tolerance class: 4EJ-152 | | Size: 16 | | 1:2 | |
| Tapped holes acc. ISO 4039 / 4EJ-152 | | Size: 3.5 | | 1:1 | |
| Tolerance class: 4EJ-152 | | Size: 16 | | 1:2 | |
| Tapped holes acc. ISO 4039 / 4EJ-152 | | Size: 3.5 | | 1:1 | |
| Tolerance class: 4EJ-152 | | Size: 16 | | 1:2 | |