

NECESSARY TOTAL COURSE  
ERFORDERLICHER GESAMTWEG  
COURSE TOTALE NECESSARIA  
CORSA TOTALE NECESSARIA

SUPPLY VORRAT ALIMENTATION  
11/12 ALIMENTAZIONE

OUTLET AUSGANG SORTIE USCITA  
21/22 ECHAPPEMENT SCARICO  
3

MEDIUM: AIR  
MEDIUM: LUFT  
FLUIDE: AIR  
FLUIDO: ARIA

NOMINAL DIAMETER :  
NENNWEITE : 78.5 mm ± Ø10 mm  
DIAMETRE NOMINAL :  
DIAMETRO NOMINALE :

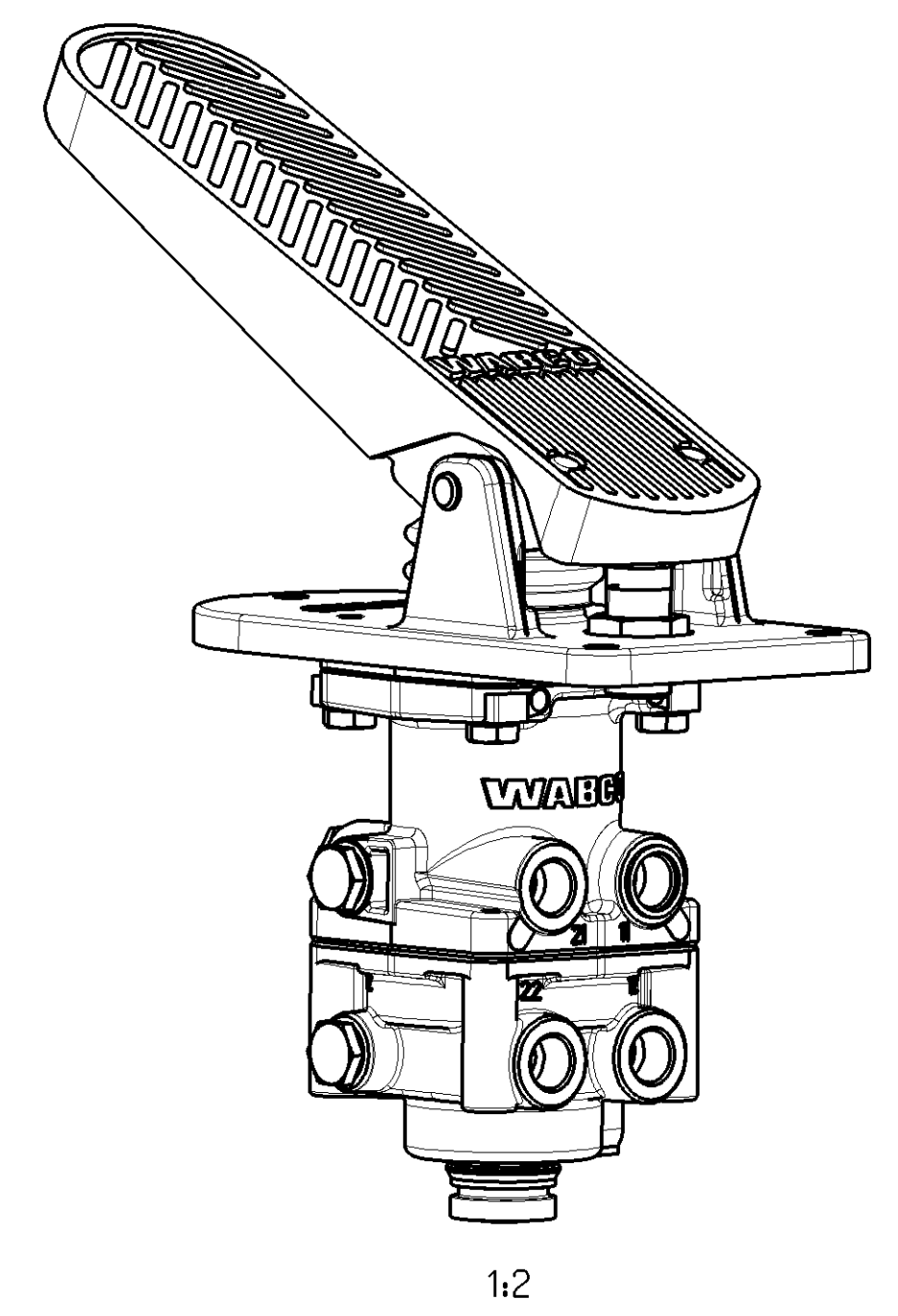
WORKING PRESSURE  
BETRIEBSDRUCK :  $p_b = \text{MAX. } 10 \text{ bar}$  (TEMPORARILY / KURZZEITIG)  
PRESSION D'UTILISATION : (DE COURTE DUREE / BREVE TEMPO SOLO)  
PRESSIONE DI ESERCIZIO :  $p_e = \text{MAX. } 11 \text{ bar}$

THERMAL RANGE OF APPLICATION  
THERM. ANWENDUNGSBEREICH : -40°C ... +80°C  
GAMME D'APPLICATION THERMIQUE  
CAMPO DI APPLICAZIONE TERMICA:

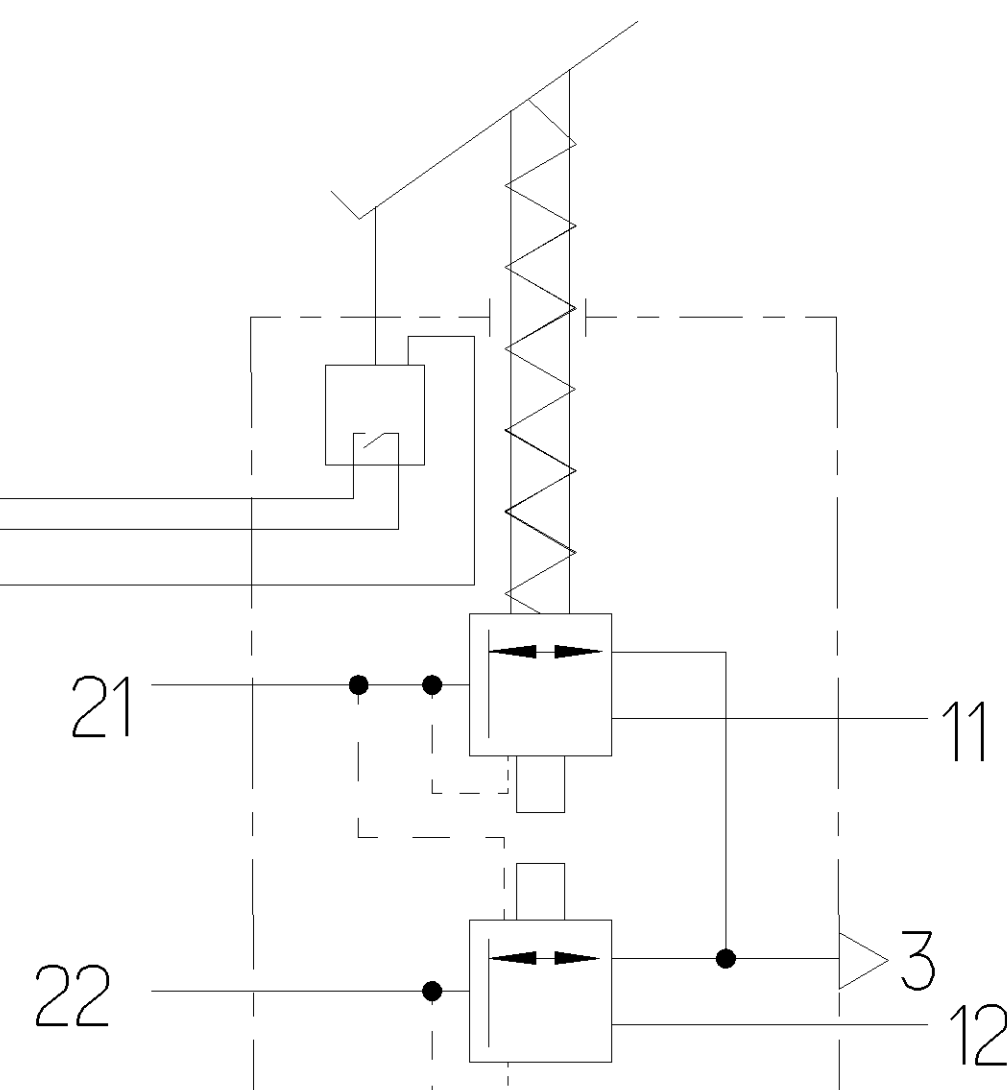
TORQUE FOR CONNECTIONS:  
ANZUGSMOMENT FÜR EINSCHRAUBSTUTZEN : M12x1.5: M-MAX. 21 Nm  
COUPLE DE SERRAGE DES RACCORDS : M16x1.5: M-MAX. 34 Nm  
COPPIA DI SERRAGGIO DEI RACCORDI :

MAX. LOAD OF INDUCTIVE PROXIMITY SWITCH:  
AT 9.6V...30V-0.1A (INDUCTIVE LOAD)  
MAX. BELASTUNG INDUKTIVER NÄHERUNGSSCHALTER:  
BEI 9.6V...30V-0.1A (INDUKTIVE LAST)  
CHARGE MAX. DU DETECTEUR INDUCTIF DE PROXIMITE:  
A 9.6V...30V-0.1A (CHARGE INDUCTIVE)  
CARICO MAX. DELL'INTERRUTTORE INDUTTIVO D'AVVICINAMENTO:  
A 9.6V...30V-0.1A (CARICO INDUTTIVO)

INSTALLATION POSITION : EXHAUST SHOWN AT BASE (AXIS CENTRE OF THE DEVICE DEVIATES MAX. ±45° FROM VERTICAL)  
EINBAULAGE : ENTLÜFTUNG NACH UNTEN (MITTELACHSE DES GERÄTES MAX. ±45° VON DER SENKRECHTEN ABWEICHEND)  
POSITION D'INSTALLATION : ECHAPPEMENT VERS LA BAS (ECART DEL'AXE MEDIAN DE L'APPAREIL PAR RAPPORT A LA VERTICALE: ±45° MAX.)  
POSIZIONE DI MONTAGGIO : SCARICO VERSO IL BASSO (DEVIAZIONE ASSE APPARECCHIO RISPETTO ALLA VERTICALE: MAX. ±45°)



BLACK  
SCHWARZ +  
NOIR  
NERO  
BLUE  
BLAU  
BLEU  
BLU  
BROWN  
BRAUN-  
BRUN  
BRUNO



General Specification: 463-334-1 - Size: ISO 14400 LP	Copyright: WABCO	<b>WABCO</b>		
Further Technical Data: 461 318 486 0	Date: 2015-06-04	Drawn: RAJASEKARAN	Checked: Sijesara	26/25°
Dwg. Code: 030	Sheet: 1	2015-06-04 RAJASEKARAN		
General Tolerances: ISO 2011	Scale: 1/1	2015-07-17		
Range of Nominal Dimensions (± mm)	Min.	Max.	ADAMS	
	±0.1	±0.15	461 318 486 0	
Class: 11	±0.5	±0.8	Material No.	
Class: 12	±0.5	±1.0	Doc. Code: 005 ML 1/1	
Class: 13	±1.0	±1.5	461 318 486 0	
Class: 14	±1.0	±2.0	Material No.	
Class: 15	±2.0	±3.0	Doc. Code: 005 ML 1/1	
Class: 16	±3.0	±5.0	461 318 486 0	
Class: 17	±5.0	±8.0	Material No.	
Class: 18	±8.0	±12.0	Doc. Code: 005 ML 1/1	
Class: 19	±12.0	±20.0	461 318 486 0	
Class: 20	±20.0	±30.0	Material No.	
Class: 21	±30.0	±50.0	Doc. Code: 005 ML 1/1	
Class: 22	±50.0	±80.0	461 318 486 0	
Class: 23	±80.0	±120.0	Material No.	
Class: 24	±120.0	±200.0	Doc. Code: 005 ML 1/1	
Class: 25	±200.0	±300.0	461 318 486 0	
Class: 26	±300.0	±500.0	Material No.	
Class: 27	±500.0	±800.0	Doc. Code: 005 ML 1/1	
Class: 28	±800.0	±1200.0	461 318 486 0	
Class: 29	±1200.0	±2000.0	Material No.	
Class: 30	±2000.0	±3000.0	Doc. Code: 005 ML 1/1	