

11/12 SUPPLY VORRAT ALIMENTATION ALIMENTAZIONE  
 21/22 OUTLET AUSGANG SORTIE USCITA  
 3 EXHAUST ENTLUEFTUNG ECHAPPEMENT SCARICO

MEDIUM: AIR  
 MEDIUM: LUFT  
 FLUIDE: AIR  
 FLUIDO: ARIA

NOMINAL DIAMETER NENNWEITE DIAMETRE NOMINAL DIAMETRO NOMINALE  
 78,5 mm<sup>2</sup> ± 0.10 mm

THERMAL RANGE OF APPLICATION THERM. ANWENDUNGSBEREICH GAMME D'APPLICATION THERMIQUE CAMPO DI APPLICAZIONE  
 -40 °C ... +80 °C

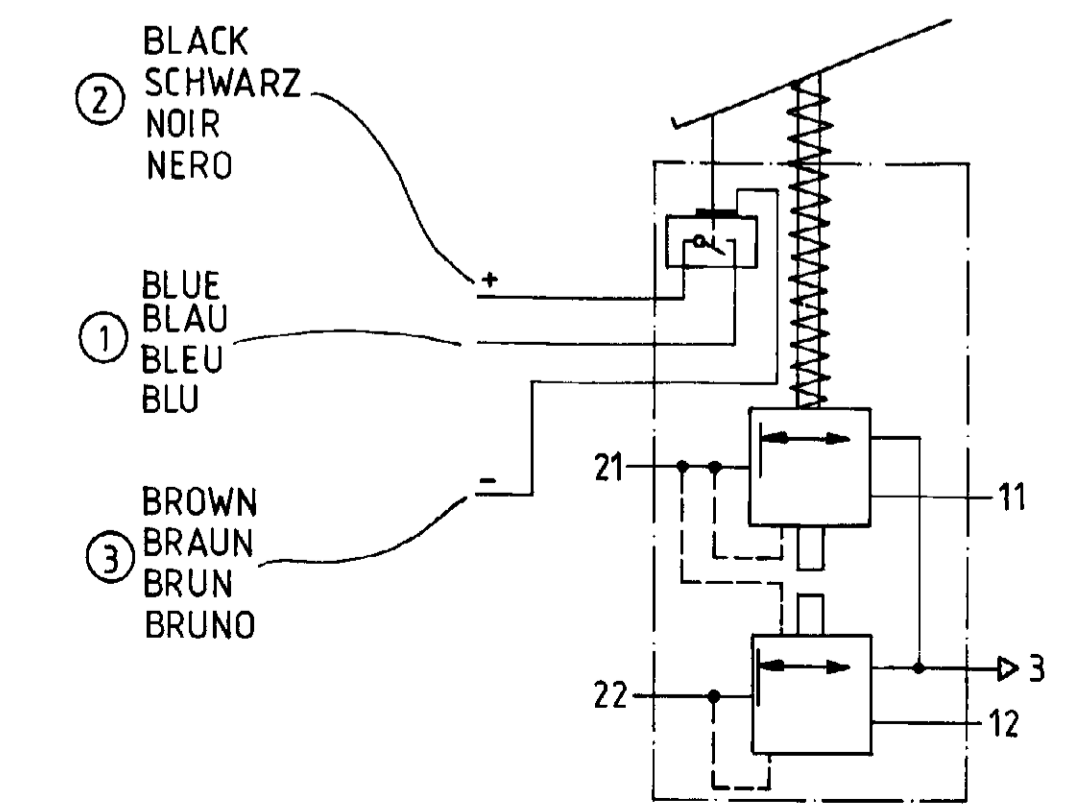
MAX. LOAD OF INDUCTIVE PROXIMITY SWITCH: AT 9,6 V...30 V-0,1 A (INDUCTIVE LOAD)  
 MAX. BELASTUNG INDUKTIVER NAEHERUNGSSCHALTER: BEI 9,6 V...30 V-0,1 A (INDUKTIVE LAST)  
 CHARGE MAX. DU DETECTEUR INDUCTIF DE PROXIMITE: A 9,6 V...30 V-0,1 A (CHARGE INDUC.)  
 CARICO MAX. DELL'INTERRUTTORE INDUTTIVO D'AVVICINAMENTO: A 9,6 V...30 V-0,1 A (CARICO INDUTTIVO)

TYPE OF PROTECTION AGAINST SHORT CIRCUIT AND REVERSE POLARITY  
 SCHUTZSCHALTUNG: KURZSCHLUSS- UND VERPOLUNGSFEST  
 TYPE DE PROTECTION: PROT. CONTRE COURT-CIRCUIT ET INVERSION DE POLARITE  
 TIPO DI PROTEZIONE: PROT. CONTRO CORTO CIRCUITO E INVERSIONE DELLA TENSIONE

WORKING PRESSURE: BETRIEBSDRUCK:  $p_e = \text{MAX. } 8.5 \text{ bar}$   
 PRESSION D UTILISATION: PRESSIONE DI ESERCIZIO:

(TEMPORARILY: (KURZZEITIG:  $p_e = \text{MAX. } 10 \text{ bar}$ )  
 (DE COURTE DUREE: (BREVE TEMPO SOLO:

TORQUE FOR CONNECTIONS: ANZUGSMOMENT FUER EINSCHRAUBSTUTZEN:  $M16 \times 1.5; M = \text{MAX. } 34 \text{ Nm}$   
 COUPLE DE SERRAGE DES RACCORDS: COPPIA DI SERRAGGIO DEI RACCORDI:



FURTHER TECHNICAL DATA SEE				COPYRIGHT		WABCO	
IDENTIFICATION No.	605	SHEET	10	DATE	SIGNATURE	86-10-03	BRAKE VALVE
GENERAL TOLERANCES				86-10-07		MOTORWAGENBREMSVENTIL	
RANGE OF NOMINAL DIMENSIONS				86-10-08		ROBINET DE FREINAGE	
CLASS	II	III	IV	MASS	SCALE	461 318 494 0	DISTRIBUTORE DI COMANDO
	11	12	13	SIZE	1:1	605	1/1
	1	2	3	TAPPED HOLES ACC. ISO 4039 / JED-152	140	518	
	2	3	5	1 TOLERANCE CLASS APPLIED CROSSMARKED			