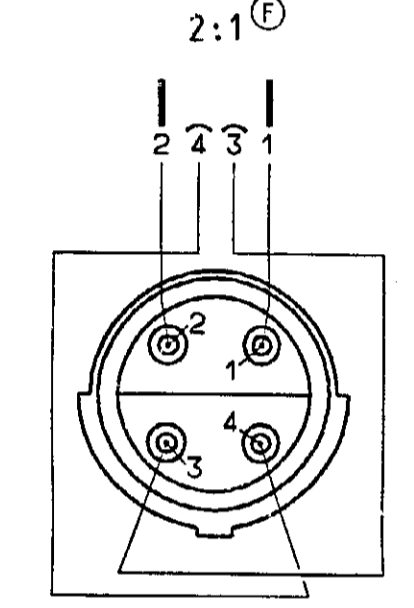
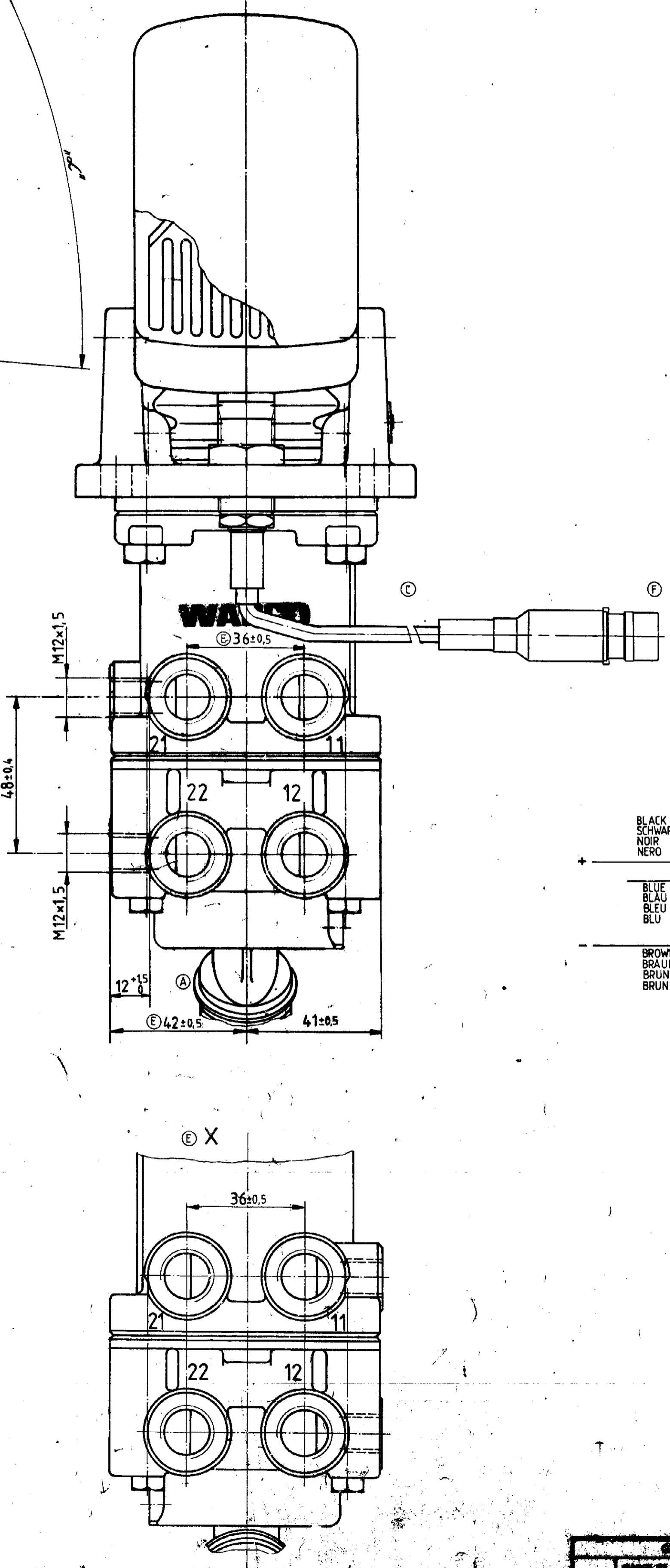
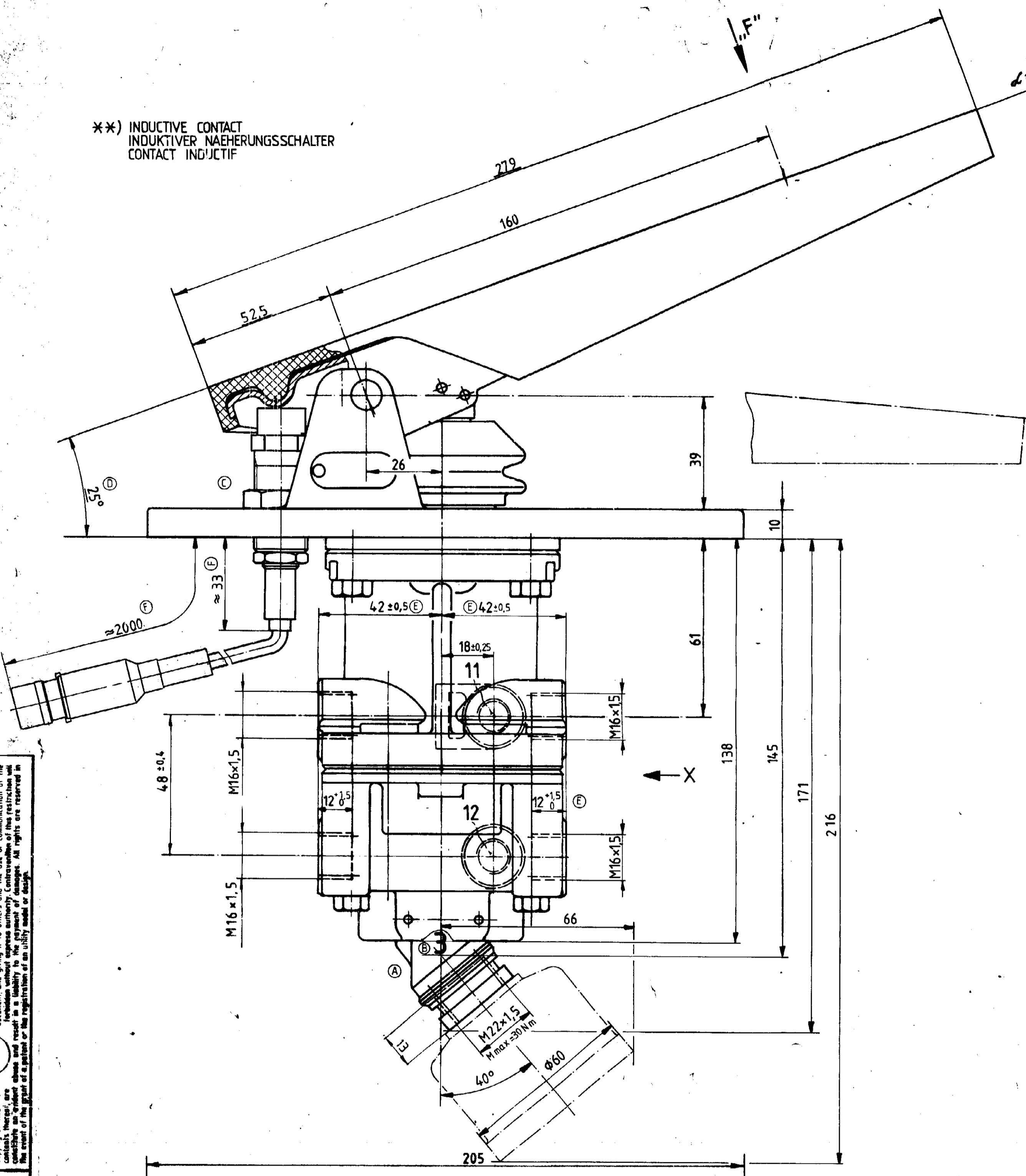
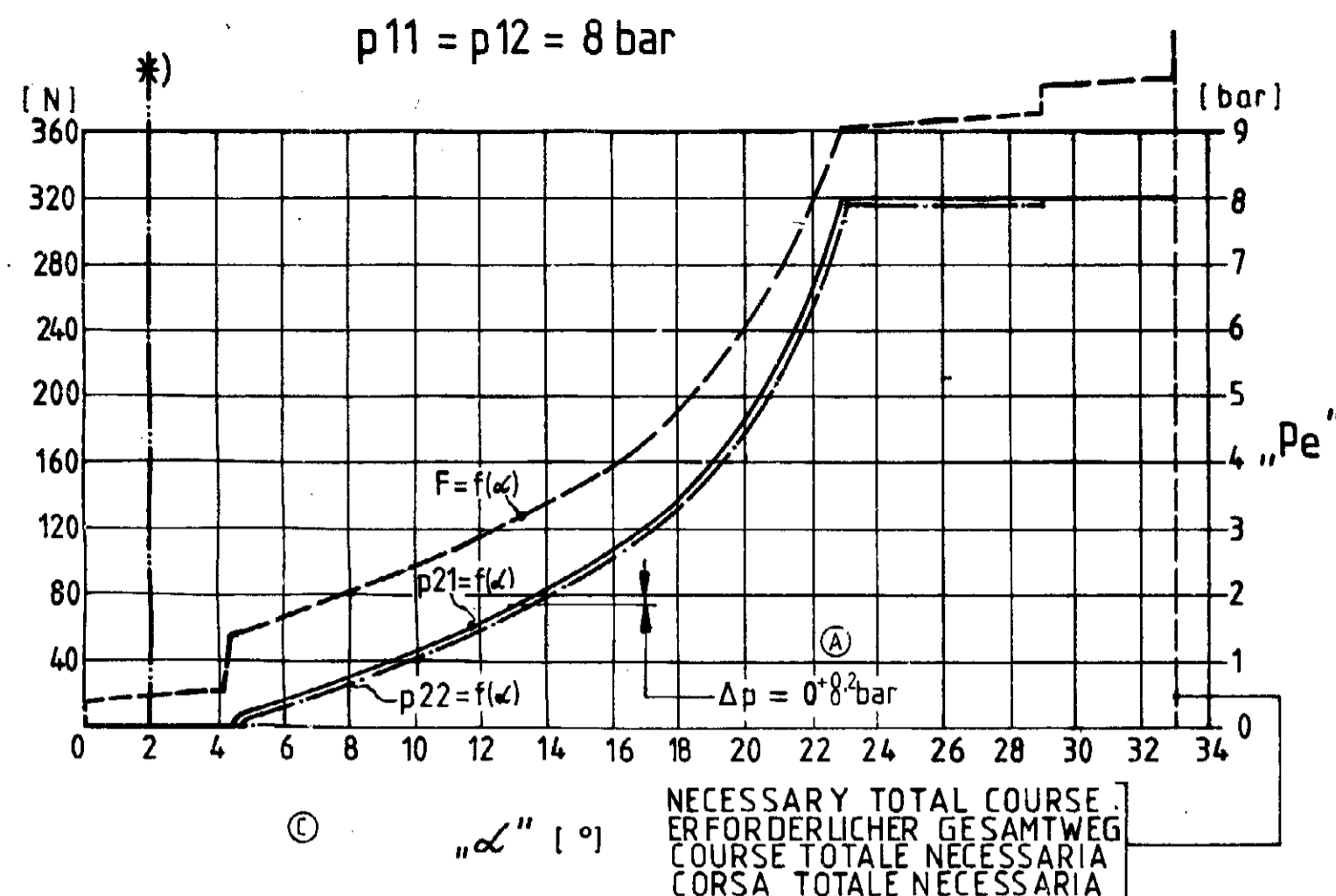


\*) SWITCH-ON POINT OF INDUCTIVE CONTACT  
 EINSCHALTPUNKT INDUKTIVER NAEHERUNGSSCHALTER  
 POINT DE PERMETURE DU CONTACT INDUCTIF

\*\*) INDUCTIVE CONTACT  
 INDUKTIVER NAEHERUNGSSCHALTER  
 CONTACT INDUCTIF



11/12: FROM RESERVOIR  
 VORRA TSLEITUNG  
 DU RESERVOIR  
 DEL SERBATOIO

21/22: TO THE CYLINDERS  
 ZYLINDERLEITUNG  
 AUX CYLINDRES  
 AI CILINDRI

3: EXHAUST  
 ENTLUEFTUNG  
 ECHAPPEMENT  
 SCARICO

MEDIUM: AIR  
 MEDIUM: LUFT  
 FLUIDE: AIR  
 FLUIDO: ARIA

MAX WORKING PRESSURE  
 MAX. BETRIEBS DRUCK  
 PRESSION D'UTILISATION MAXI  
 PRESSIONE DI ESERCIZIO MAXI

Pe 10 bar

NOMINAL DIAMETER  
 NENNWEITE  
 DIAMETRE NOMINAL  
 DIAMETRO NOMINALE

78,5 mm² =  $\phi 10 \text{ mm}$

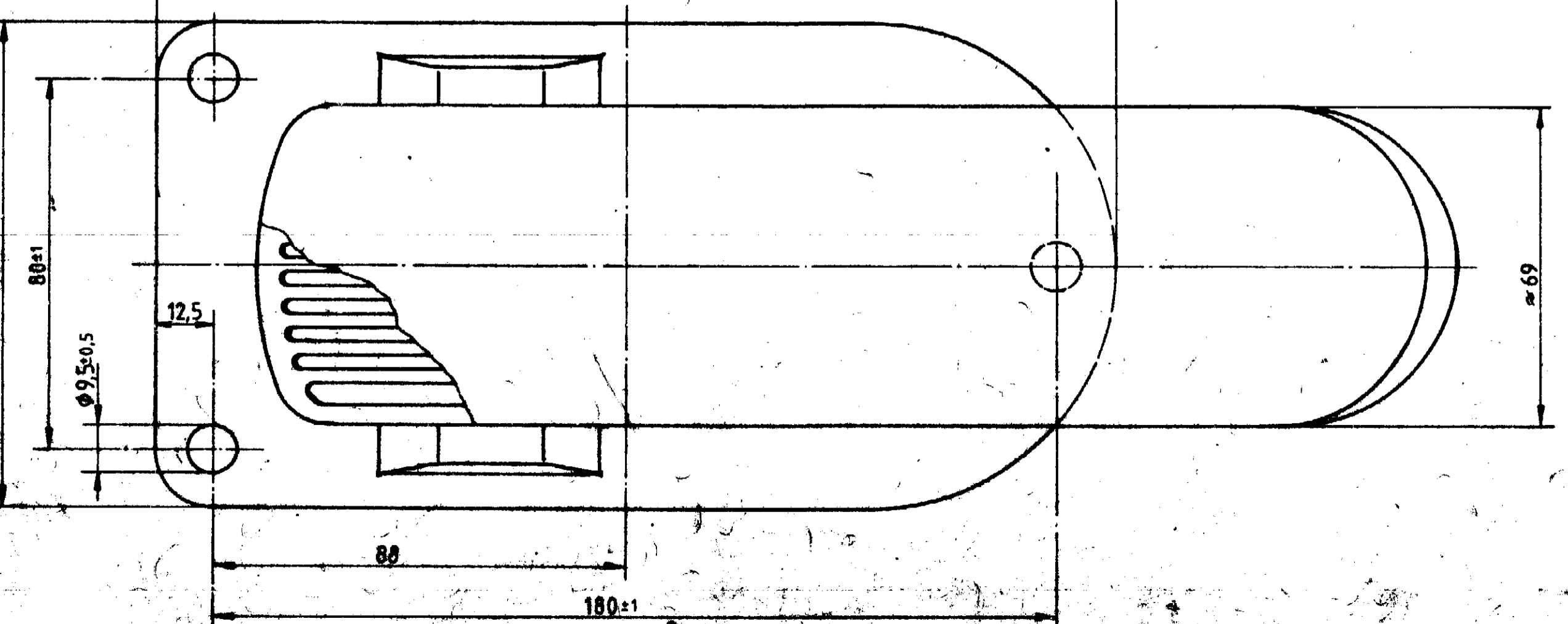
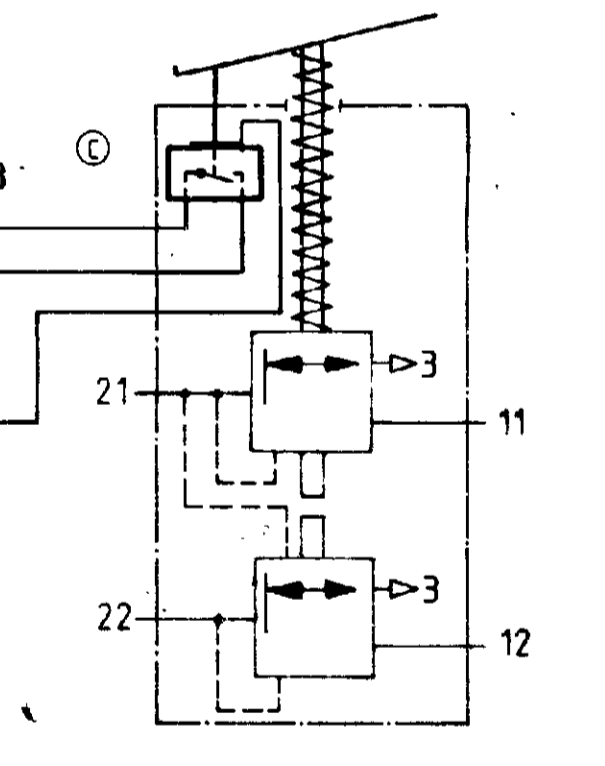
THERMAL RANGE OF APPLICATION  
 THERM. ANWENDUNGSBEREICH  
 GAMME D'APPLICATION TERMIQUE  
 CAMPO DI APPLICAZIONE TERMICA

-40°C...+80°C

INSTALLATION POSITION : OPTIONAL  
 EINBAULAGE : BELIEBIG  
 POSITION D'INSTALLATION : INDIFFERENT  
 POSIZIONE DI MONTAGGIO : INDIFFERENTE

MAX. INDUCTIVE CONTACT LOAD  
 MAX. BELASTUNG INDUKTIVER NAEHERUNGSSCHALTER  
 CHARGE MAXI. DU CONTACT INDUCTIF

AT 96V...30V-0,1A (INDUCTIVE LOAD)  
 BEI 96V...30V-0,1A (INDUKTIVE LAST)  
 A 96V...30V-0,1A (CHARGE INDUCTIVE)  
 A 96V...30V-0,1A (CARICO INDUCTIVO)



GENERAL TOLERANCES	
ISO TOLERANCES	ISO SURFACE FINISH
1 (F)	1 (R)
2 (M)	2 (R)
3 (H)	3 (R)
4 (K)	4 (R)
5 (L)	5 (R)
6 (N)	6 (R)
7 (P)	7 (R)
8 (Q)	8 (R)
9 (R)	9 (R)
10 (S)	10 (R)
11 (T)	11 (R)
12 (V)	12 (R)
13 (X)	13 (R)
14 (Z)	14 (R)
15 (Y)	15 (R)
16 (AA)	16 (R)
17 (AB)	17 (R)
18 (AC)	18 (R)
19 (AD)	19 (R)
20 (AE)	20 (R)
21 (AF)	21 (R)
22 (AG)	22 (R)
23 (AH)	23 (R)
24 (AJ)	24 (R)
25 (AK)	25 (R)
26 (AL)	26 (R)
27 (AM)	27 (R)
28 (AN)	28 (R)
29 (AP)	29 (R)
30 (AQ)	29 (R)
31 (AR)	29 (R)
32 (AS)	29 (R)
33 (AT)	29 (R)
34 (AV)	29 (R)
35 (AW)	29 (R)
36 (AX)	29 (R)
37 (AY)	29 (R)
38 (AZ)	29 (R)
39 (BA)	29 (R)
40 (BB)	29 (R)
41 (BC)	29 (R)
42 (BD)	29 (R)
43 (BE)	29 (R)
44 (BF)	29 (R)
45 (BG)	29 (R)
46 (BH)	29 (R)
47 (BJ)	29 (R)
48 (BK)	29 (R)
49 (BL)	29 (R)
50 (BM)	29 (R)
51 (BN)	29 (R)
52 (BP)	29 (R)
53 (BQ)	29 (R)
54 (BR)	29 (R)
55 (BS)	29 (R)
56 (BT)	29 (R)
57 (BU)	29 (R)
58 (BV)	29 (R)
59 (BW)	29 (R)
60 (BX)	29 (R)
61 (BY)	29 (R)
62 (BZ)	29 (R)
63 (CA)	29 (R)
64 (CB)	29 (R)
65 (CC)	29 (R)
66 (CD)	29 (R)
67 (CE)	29 (R)
68 (CF)	29 (R)
69 (CG)	29 (R)
70 (CH)	29 (R)
71 (CI)	29 (R)
72 (CJ)	29 (R)
73 (CK)	29 (R)
74 (CL)	29 (R)
75 (CM)	29 (R)
76 (CN)	29 (R)
77 (CO)	29 (R)
78 (CP)	29 (R)
79 (CQ)	29 (R)
80 (CR)	29 (R)
81 (CS)	29 (R)
82 (CT)	29 (R)
83 (CU)	29 (R)
84 (CV)	29 (R)
85 (CW)	29 (R)
86 (CX)	29 (R)
87 (CY)	29 (R)
88 (CZ)	29 (R)
89 (CA)	29 (R)
90 (CB)	29 (R)

WABCO WABTECH/ROUSE

DUAL BRAKE VALVE  
 ROBINET DE FREINAGE DOUBLE  
 COMANDO DOPPIO  
 MOTWGN BREMSVENTIL, ZWEIK.

DATE: 84-01-19  
 DRAWN: Posim  
 CHECKED: Martin B.  
 SCALE: 1:1  
 PART NUMBER: 461 318 495 0