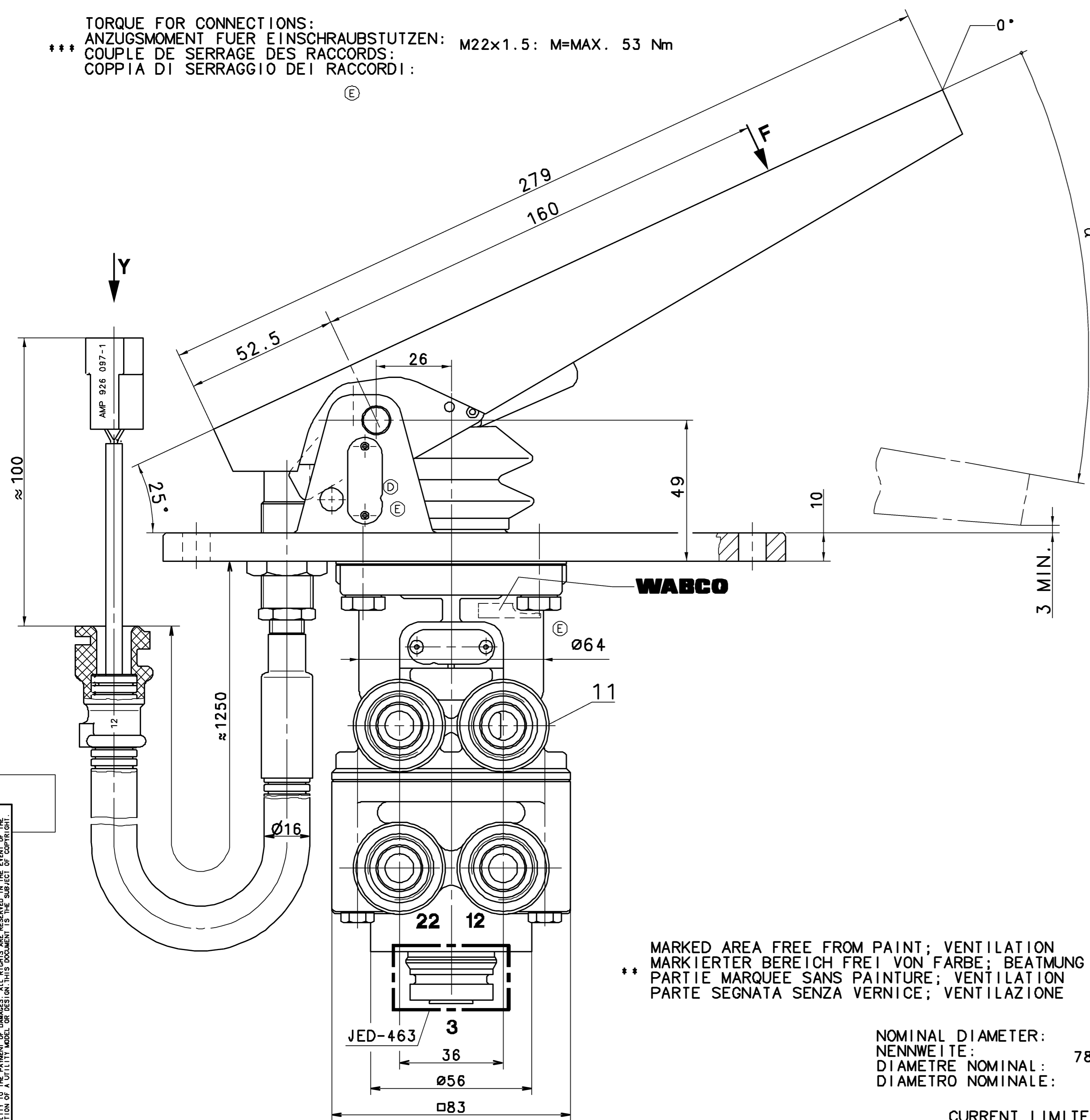


TORQUE FOR CONNECTIONS:  
 ANZUGSMOMENT FUER EINSCHRAUBSTUTZEN: M22x1.5: M=MAX. 53 Nm  
 COUPLE DE SERRAGE DES RACCORDS:  
 COPPIA DI SERRAGGIO DEI RACCORDI:

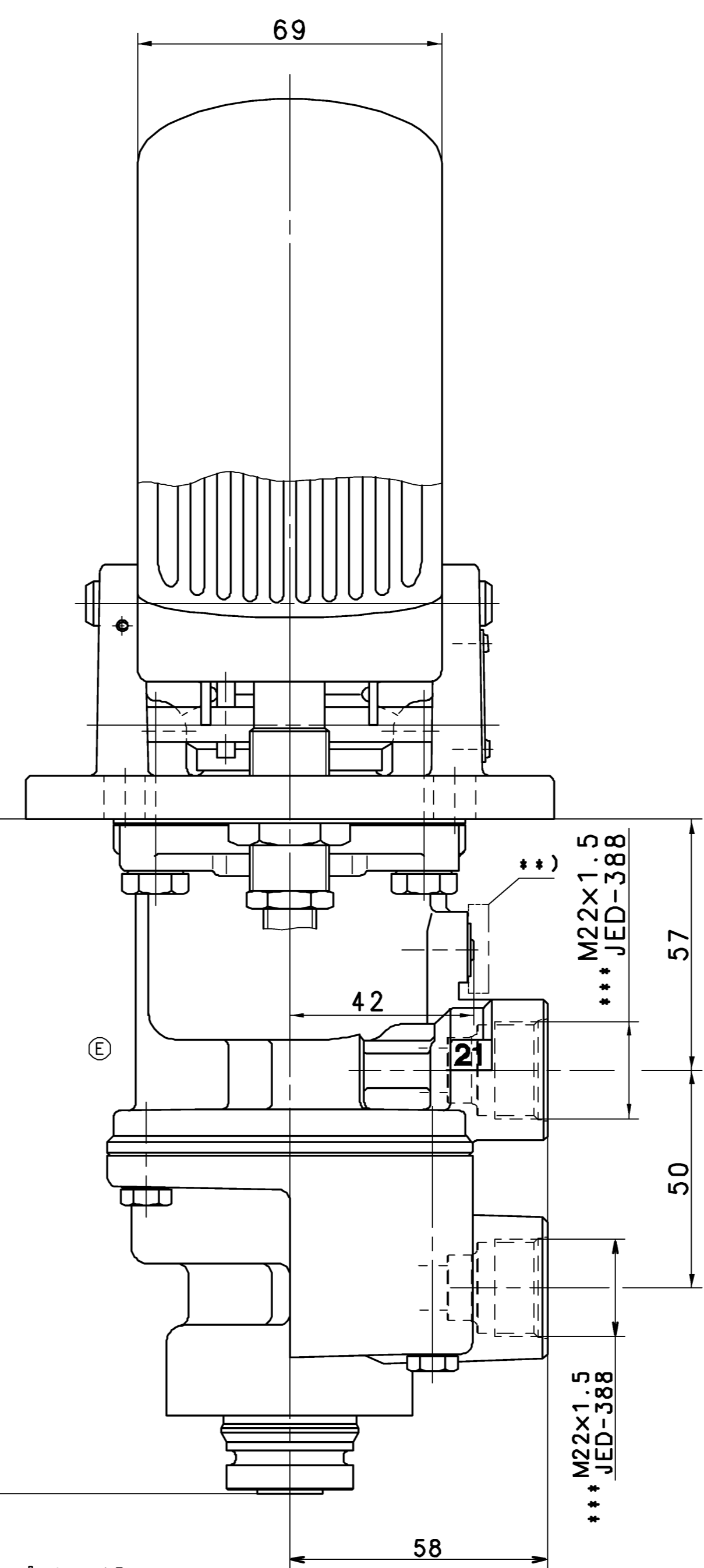
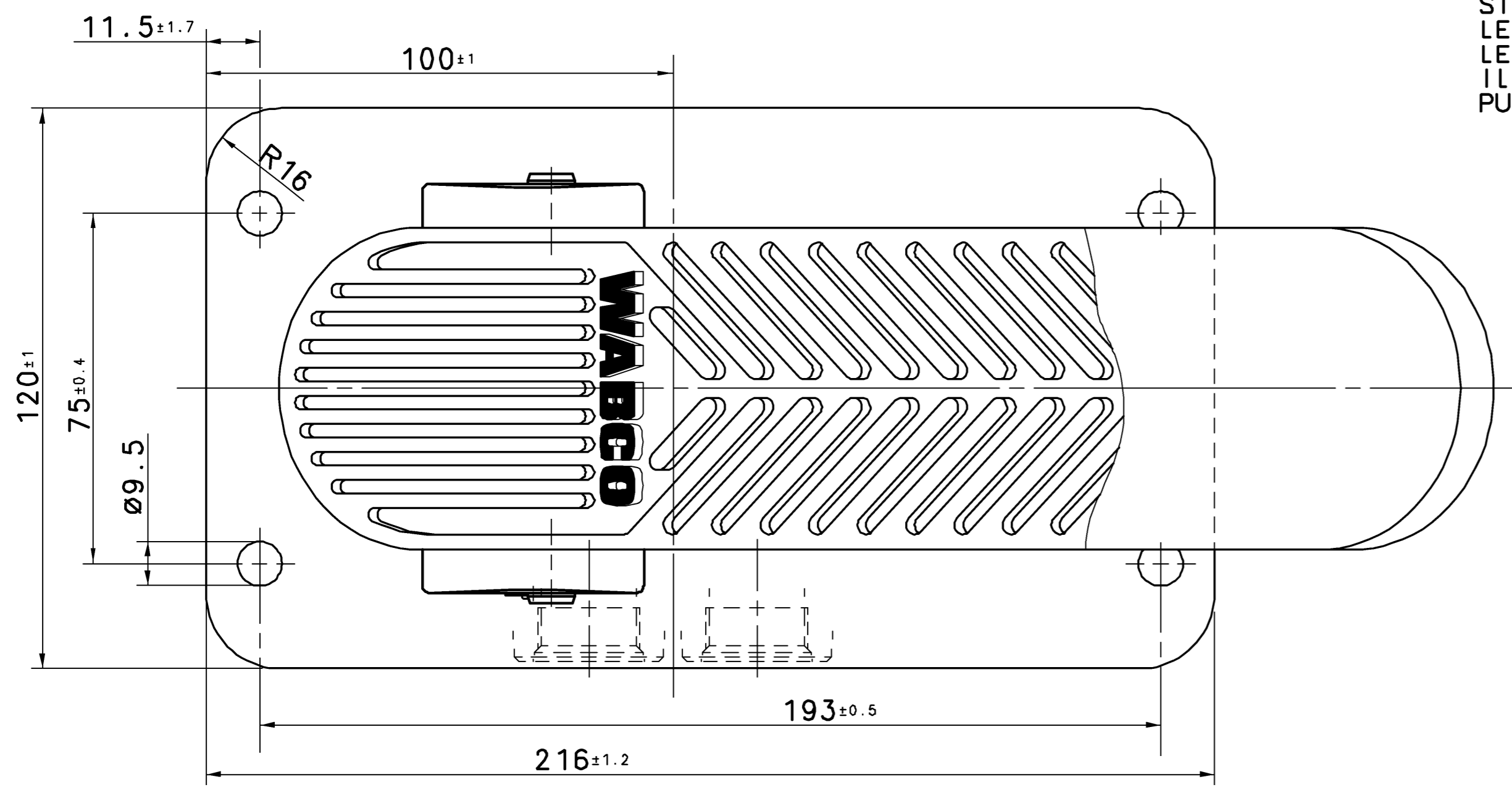
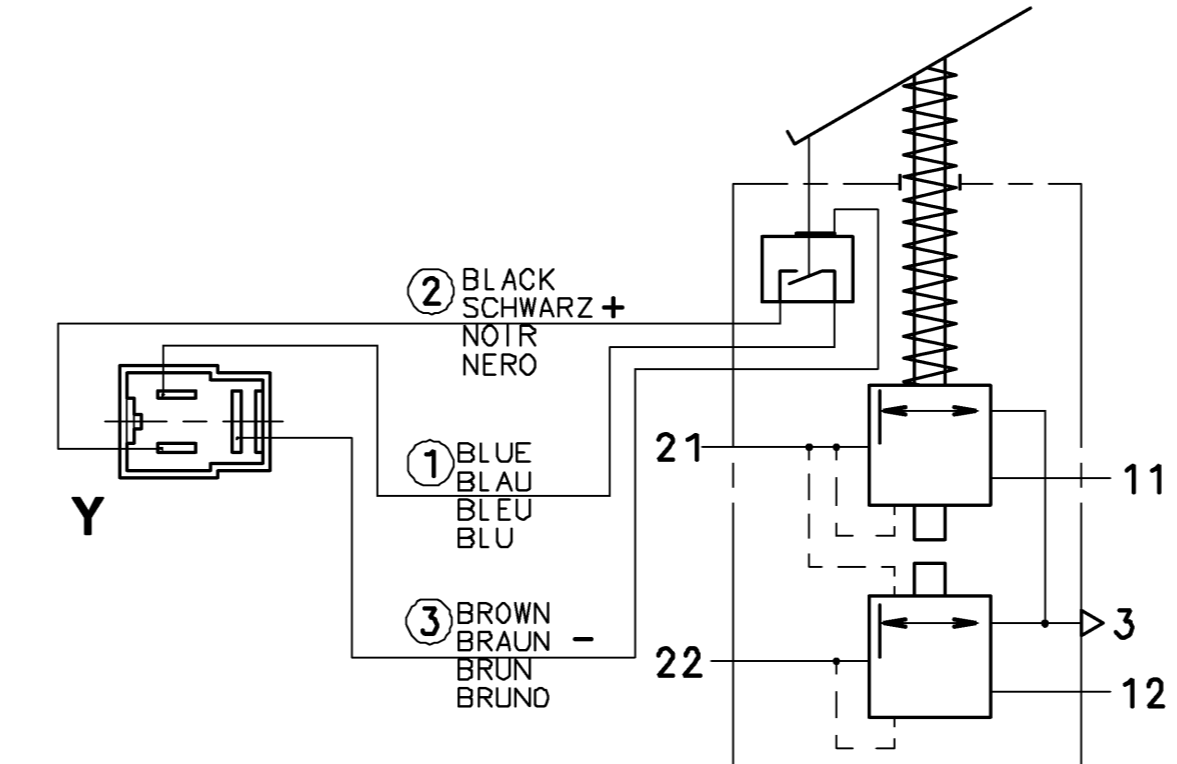


MARKED AREA FREE FROM PAINT; VENTILATION  
 MARKIERTER BEREICH FREI VON FARBE; BEATMUNG  
 PARTIE MARQUEE SANS PEINTURE; VENTILATION  
 PARTE SEGNATA SENZA VERNICE; VENTILAZIONE

NOMINAL DIAMETER:  
 NENNWEITE: 78.5 mm<sup>2</sup> ± 0.10  
 DIAMETRE NOMINAL:  
 DIAMETRO NOMINALE:

CURRENT LIMITER OF PROXIMITY SWITCH CAN SWITCH OFF AT >75°C  
 STROMBEGRENZER VOM NAEHERUNGSSCHALTER KANN BEI >75°C ABSCHALTEN  
 LE LIMITEUR DE COURANT DU DETECTEUR DE PROXIMITE PEUT COUPER  
 LE CIRCUIT A >75°C  
 IL LIMITATORE DI CORRENTE DELL' INTERRUOTORE D' AVVICINAMENTO  
 PUO' INTERRUOPERE IL CIRCUITO A >75°C

WORKING PRESSURE:  
 BETRIEBSDRUCK: (TEMPORARILY : pe max. = 8.5 bar (KURZZEITIG : pe max. = 10 bar)  
 PRESSION D'UTILISATION : (DE COURTE DUREE :  
 PRESSIONE DI ESERCIZIO : (BREVE TEMPO SOLO :



PRESSURE POINT (MECHANICAL)  
 DRUCKPUNKT (MECHANISCH)  
 POINT DE POUSSEE (MECANIQUE)  
 PUNTO DI RESISTENZA (MECCANICO)

SUPPLY VORRAT ALIMENTATION  
 11 / 12 ALIMENTAZIONE

OUTLET AUSGANG SORTIE USCITA  
 21 / 22

EXHAUST ENTLUEFTUNG ECHAPPEMENT SCARICO  
 3

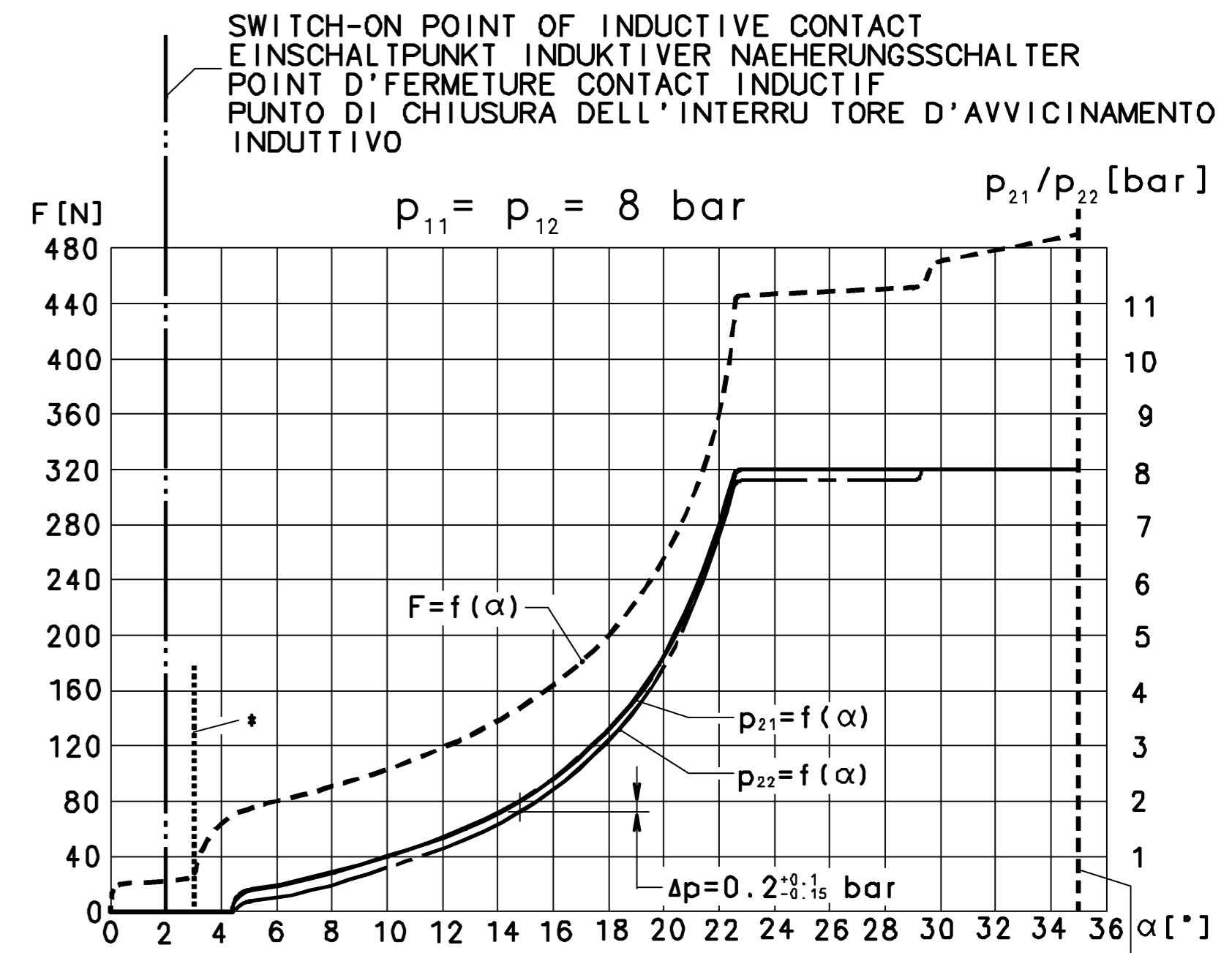
INSTALLATION POSITION: EXHAUST SHOWN AT BASE (AXIS CENTRE OF THE DEVICE DEVIATES MAX. 45° FROM VERTICAL)  
 EINBAULAGE: ENTLUEFTUNG NACH UNTEN (MITTELACHSE DES GERÄTES MAX. 45° VON DER SENKRECHTEN ABWEICHEND)  
 POSITION D' INSTALLATION: ECHAPPEMENT VERS LE BAS (ECART DE L' AXE MEDIAN DE L' APPAREIL PAR RAPPORT A LA VERTICALE: 45° MAX.)  
 POSIZIONE DI MONTAGGIO: SCARICO VERSO IL BASSO (DEVIAZIONE ASSE APPARECCHIO RISPETTO ALLA VERTICALE: MAX. 45°)

THERMAL RANGE OF APPLICATION:  
 THERMISCHER ANWENDUNGSBEREICH: -40°C...+80°C  
 GAMME D' APPLICATION THERMIQUE:  
 CAMPO DI APPLICAZIONE:

MEDIUM: AIR  
 MEDIUM: LUFT  
 FLUIDE: AIR  
 FLUIDO: ARIA

MAX. LOAD OF INDUCTIVE PROXIMITY SWITCH:  
 AT 9.6V...30V-0.1A (INDUCTIVE LOAD)  
 MAX. BELASTUNG INDUKTIVER NAEHERUNGSSCHALTER:  
 BEI 9.6V...30V-0.1A (INDUKTIVE LAST)  
 CHARGE MAX. DU DETECTEUR INDUCTIF DE PROXIMITE:  
 A 9.6V...30V-0.1A (CHARGE INDUCTIVE)  
 CARICO MAX. DELL' INTERRUOTORE INDUCTIVO D' AVVICINAMENTO:  
 A 9.6V...30V-0.1A (CARICO INDUTTIVO)

TYPE OF PROTECTION: PROTECTION AGAINST SHORT CIRCUIT AND REVERSE POLARITY  
 SCHUTZSCHALTUNG: KURZSCHLUSS- UND VERPOLUNGSFEST  
 TYPE OF PROTECTION: PROT. CONTRE COURT-CIRCUIT ET INVERSION DE POLARITE  
 TIPO DI PROTEZIONE: PROT. CONTRO CORTO CIRCUITO E INVERSIONE DELLA TENSIONE



NECESSARY TOTAL COURSE  
 ERFORDERLICHER GESAMTWEIG  
 COURSE TOTALE NECESSARIA  
 CORSA TOTALE NECESSARIA

GENERAL SPECIFICATION: JED-334		DATE: _____		SIGNATURE: _____	
FURTHER TECHNICAL DATA:		DRAWN: 98-06-18 M. SGF		CHECKED: 98-06-18 MARTINI	
DOC. CODE: _____		SHEET: _____		TO: _____	
GENERAL TOLERANCES					
RANGE OF NOMINAL DIMENSIONS ( ± mm )					
CLASS	1)	≤50	>50 ≤180	>180 ≤400	>400
FINE		0.5	1.0	1.5	2.0
MEDIUM	X	1.0	2.0	3.0	4.0
COARSE		2.0	3.5	5.0	6.5
TAPPED HOLES ACC: 150 4039 / JED-152					
1) TOLERANCE CLASS APPLIED CROSSMARKED					
DOH-NO. _____		REV. _____		DATE _____	
MASS		SCALE		PRODUCT IDENTIFICATION NO.	
≈ 2.8 kg		1:1		461 318 501 0	
SIZE		T.R.I.		DOC. CODE	
A 1		530		605	
SHAPE CODE		REPLACEMENT FOR		SHEET	
461 318 501 0		1888-07-11		1/1	
EXPERT CODE 736					
PRODUCT TYPE 010					