

SWITCH-ON POINT OF INDUCTIVE CONTACT
EINSCHALTUNKT INDUKTIVER NÄHERUNGSSCHALTER
POINT D'FERMETURE CONTACT INDUCTIF
PUNTO DI CHIUSURA DELL'INTERRUTTORE
D'AVVICINAMENTO INDUTTIVO

NECESSARY TOTAL COURSE
ERFORDERLICHER GESAMTWEG
COURSE TOTALE NECESSARIA
CORSA TOTALE NECESSARIA

11 / 12 SUPPLY
VORRAT ALIMENTATION
ALIMENTAZIONE

21 / 22 OUTLET
AUSGANG SORTIE
USCITA

3 EXHAUST
ENTLUEFTUNG
ECHAPPEMENT
SCARICO

THERMAL RANGE OF APPLICATION:
THERMISCHER ANWENDUNGSBEREICH: -40° C... +80° C
GAMME D' APPLICATION THERMIQUE:
CAMPO DI APPLICAZIONE:

MEDIUM: AIR
MEDIUM: LUFT
FLUIDE: AIR
FLUIDO: ARIA

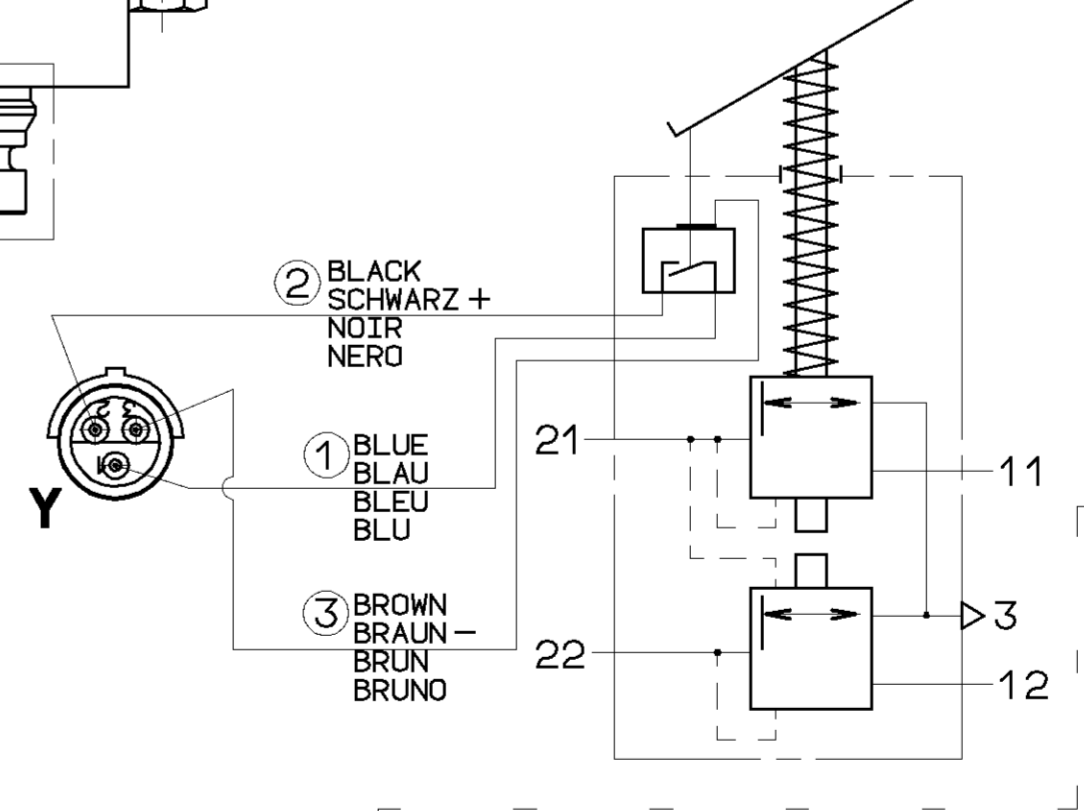
NOMINAL DIAMETER:
NENNWEITE: 78.5mm=Ø10mm
DIAMETRE NOMINAL:
DIAMETRO NOMINALE:

TORQUE FOR CONNECTIONS:
ANZUGSMOMENT FUER EINSCHRAUBSTUTZEN:
COUPLE DE SERRAGE DES RACCORDS:
COPPIA DI SERRAGGIO DEI RACCORDI:

M22x1.5: M=MAX. 53 Nm

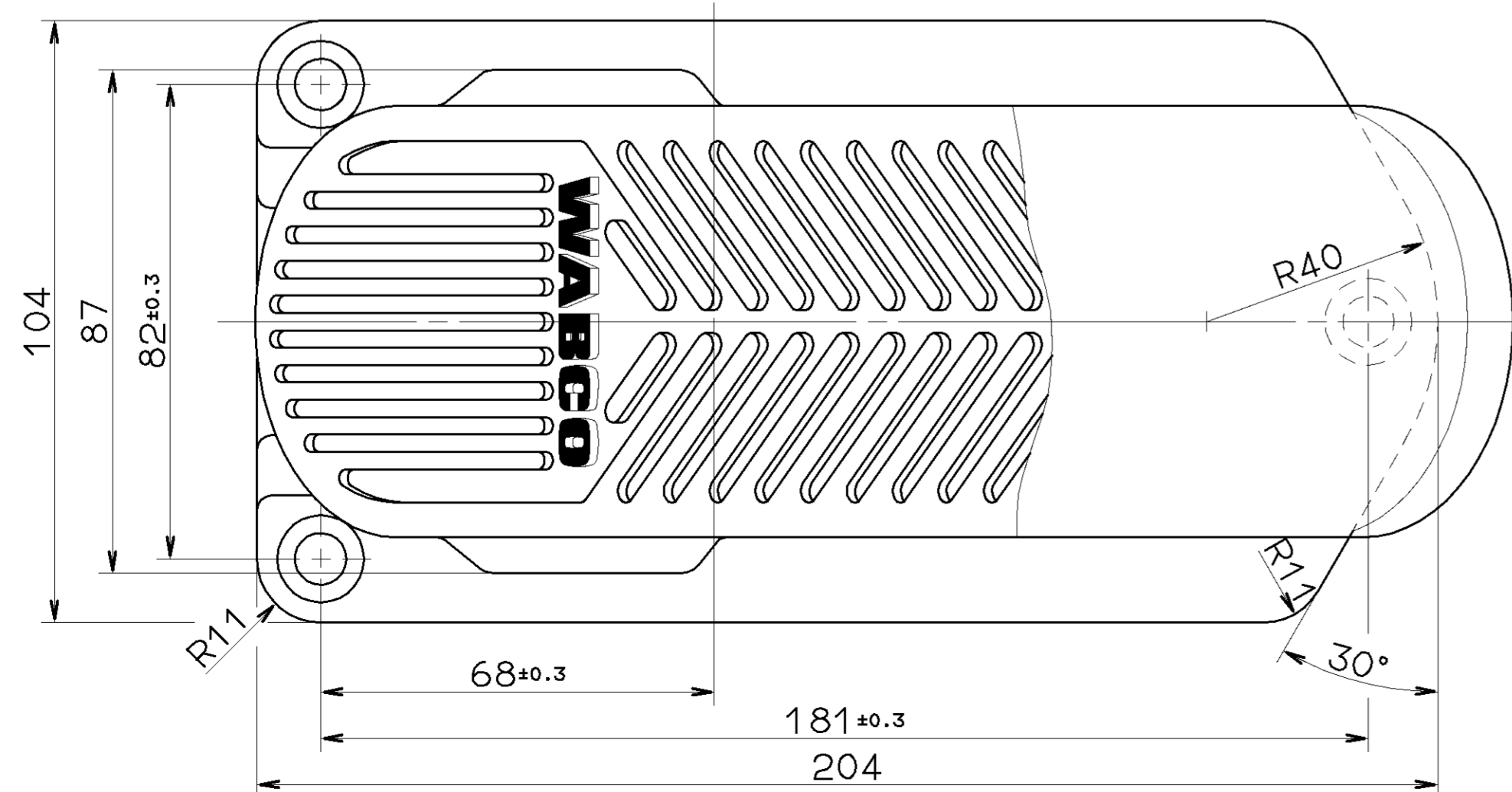
WORKING PRESSURE:
BETRIEBSDRUCK: $p_e = \text{MAX. } 8.5 \text{ bar}$ (TEMPORARILY:
(KURZZEITIG: $p_e = \text{MAX. } 10 \text{ bar}$)
PRESSION D UTILISATION:
(DE COURTE DUREE:
PRESSIONE DI ESERCIZIO: (BREVE TEMPO SOLO:

INSTALLATION POSITION; EXHAUST SHOWN AT BASE (AXIS CENTRE OF THE DEVICE DEVIATES MAX. 45° FROM VERTICAL)
EINBAULAGE; ENTLUEFTUNG NACH UNTEN (MITTELACHSE DES GERÄTES MAX. 45° VON DER SENKRECHTEN ABWEICHEND)
POSITION D' INSTALLATION; ECHAPPEMENT VERS LE BAS (ECART DE L' AXE MEDIAN DE L' APPAREIL PAR RAPPORT A LA VERTICALE: 45° MAX.)
POSIZIONE DI MONTAGGIO; SCARICO VERSO IL BASSO (DEVIAZIONE ASSE APPARECCHIO RISPETTO ALLA VERTICALE: MAX. 45°)



MAX. LOAD OF INDUCTIVE PROXIMITY SWITCH:
AT 9.6V...30V-0.1A (INDUCTIVE LOAD)
MAX. BELASTUNG INDUKTIVER NÄHERUNGSSCHALTER:
BEI 9.6V...30V-0.1A (INDUKTIVE LAST)
CHARGE MAX. DU DETECTEUR INDUCTIF DE PROXIMITE:
A 9.6V...30V-0.1A (CHARGE INDUCTIVE)
CARICO MAX. DELL' INTERRUPTORE INDUTTIVO D' AVVICINAMENTO:
A 9.6V...30V-0.1A (CARICO INDUTTIVE)

TYPE OF PROTECTION: PROTECTION AGAINST SHORT CIRCUIT AND REVERSE POLARITY
SCHUTZSCHALTUNG: KURZSCHLUSS- UND VERPOLUNGSEST
TYPE DE PROTECTION: PROT. CONTRE COURT-CIRCUIT ET INVERSION DE POLARITE
TIPO DI PROTEZIONE: PROT. CONTRO CORTO CIRCUITO E INVERSIONE DELLA TENSIONE



GENERAL SPECIFICATION: JED-234		DATE: _____		SIGNATURE: _____	
FURTHER TECHNICAL DATA: 041 112 2		DRAWN: _____		CHECKED: _____	
DOC. CODE: 605 SHEET: 1 TO 1		90-11-29 GIESEKE		90-11-29 MARTINI	
GENERAL TOLERANCES		90-11-29 PANTZER		STANDARDIZATION:	
RANGE OF NOMINAL DIMENSIONS (± mm)		MASS SCALE		PRODUCT IDENTIFICATION NO.	
CLASS	1) 1) 2) 3) 4)	0,5	1,0	1,5	2,0
FINE	1,0	2,0	3,0	4,0	5,0
MEDIUM	2,0	3,5	5,0	6,5	8,0
COARSE	3,0	5,0	7,0	10,0	15,0
TAPPED HOLES ACC. ISO 4039 / JED-162		057949		6xB 96-03-18	
1) TOLERANCE CLASS APPLIED CROSSHATCHED		041840		1xA 90-11-29	
		DN-NO. _____		REV. _____	
		DATE _____		DATE _____	
		A 1		140	
		100mm		EXPERT CODE: 7316	
		PRODUCT TYPE: 00X		REPLACEMENT FOR: 461 318 550 0 (A)	