

SUPPLY: 11/12
VORRAT: 21/22
ALIMENTATION: 11/12
ALIMENTAZIONE: 21/22

OUTLET: 21/22
AUSGANG: 21/22
SORTIE: 21/22
USCITA: 21/22

EXHAUST: 3
ENTLUEFTUNG: 3
ECHAPPEMENT: 3
SCARICO: 3

MEDIUM: AIR
MEDIUM: LUFFT
FLUIDE: AIR
FLUIDO: ARIA

NOMINAL DIAMETER: $\pm 78.5 \text{ mm}^2 \approx \varnothing 10$
NEUWEITE: $\pm 78.5 \text{ mm}^2 \approx \varnothing 10$
DIAMETRE NOMINAL: $\pm 78.5 \text{ mm}^2 \approx \varnothing 10$
DIAMETRO NOMINALE: $\pm 78.5 \text{ mm}^2 \approx \varnothing 10$

WORKING PRESSURE: pe = MAX.10 bar
BETRIEBSDRUCK: pe = MAX.10 bar
PRESSION D'UTILISATION: pe = MAX.10 bar
PRESSIONE DI ESERCIZIO: pe = MAX.10 bar

(TEMPORARILY: (KURZZEITIG: (DE COURTE DUREE: (BREVE TEMPO SOLO:
pe = MAX.12.5)

THERMAL RANGE OF APPLICATION: -40°C ... +80°C
THERMISCHER ANWENDUNGSBEREICH: -40°C ... +80°C
GAMME D'APPLICATION THERMIQUE: -40°C ... +80°C
CAMPO TERMICO D'APPLICAZIONE: -40°C ... +80°C

INSTALLATION POSITION: EXHAUST SHOWN AT BASE (AXIS CENTRE OF THE DEVICE DEVIATES MAX. 45° FROM VERTICAL)
EINBAULAGE: ENTLUEFTUNG NACH UNTEN (MITTELACHSE DES GERÄTES MAX. 45° VON DER SENKRECHTEN ABWEICHEND)
POSITION D'INSTALLATION: ECHAPPEMENT VERS LA BAS (CART DE L'AXE MEDIAN DE L'APPAREIL PAR RAPPORT A LA VERTICALE: 45° MAX.)
POSIZIONE DI MONTAGGIO: SCARICO VERSO IL BASSO (DEVIAZIONE ASSE APPARECCHIO RISPETTO ALLA VERTICALE: MAX. 45°)

TORQUE FOR CONNECTIONS:
ANZUGSMOMENT FUER EINSCHRAUBSTUTZEN: M16X1.5: M-MAX. 34
COUPLE DE SERRAGE DES RACCORDS:
COPPIA DI SERRAGGIO DEI RACCORDI:

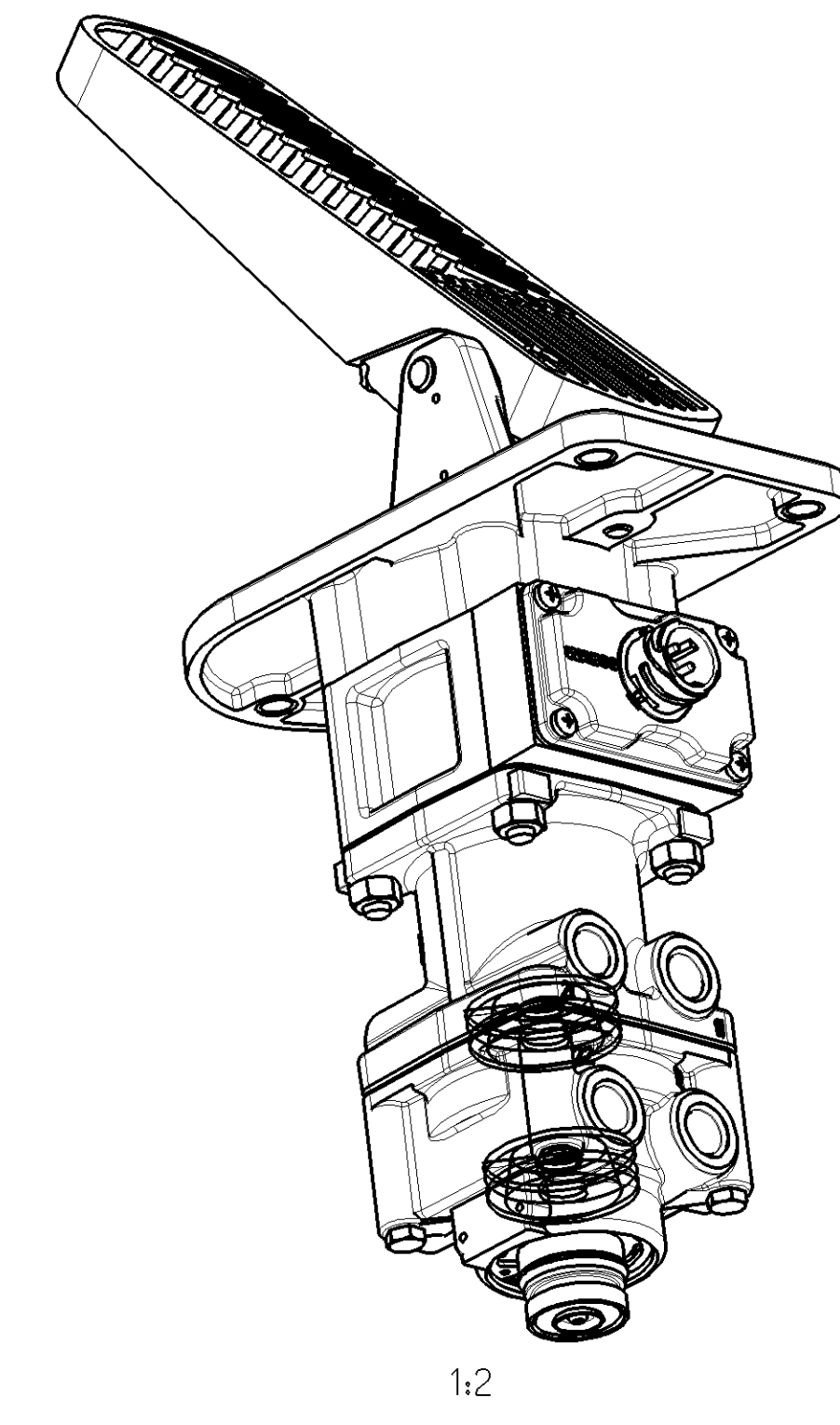
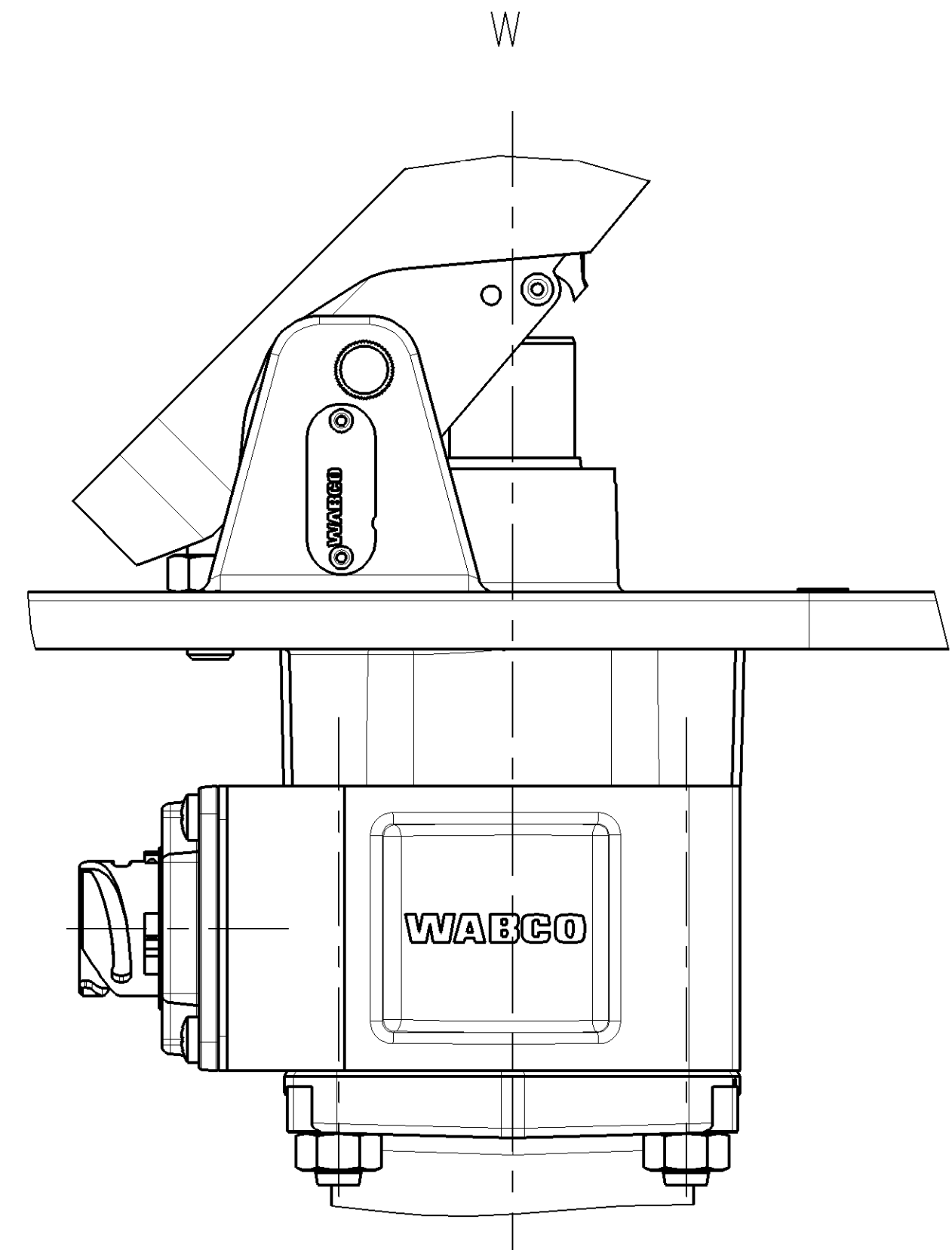
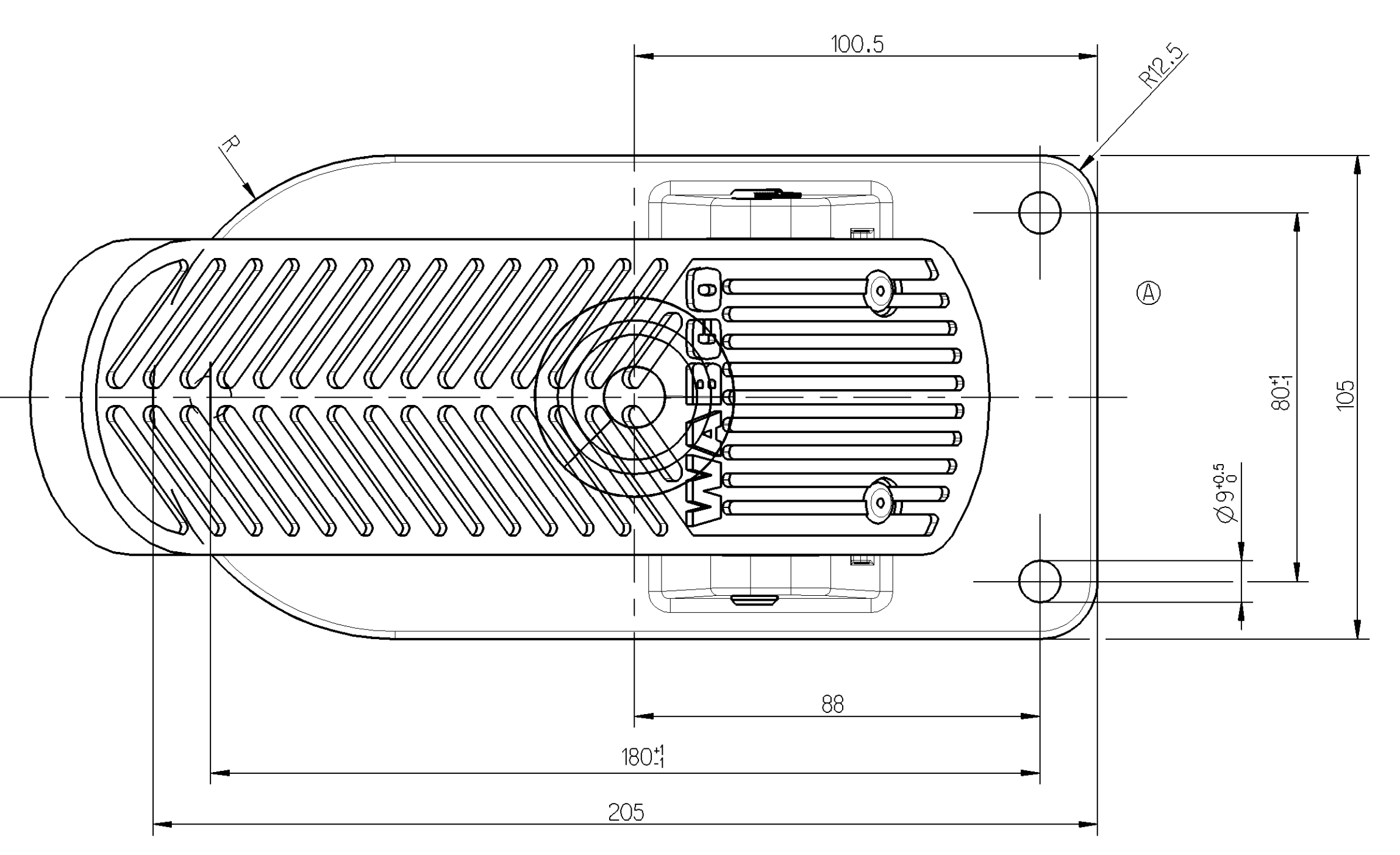
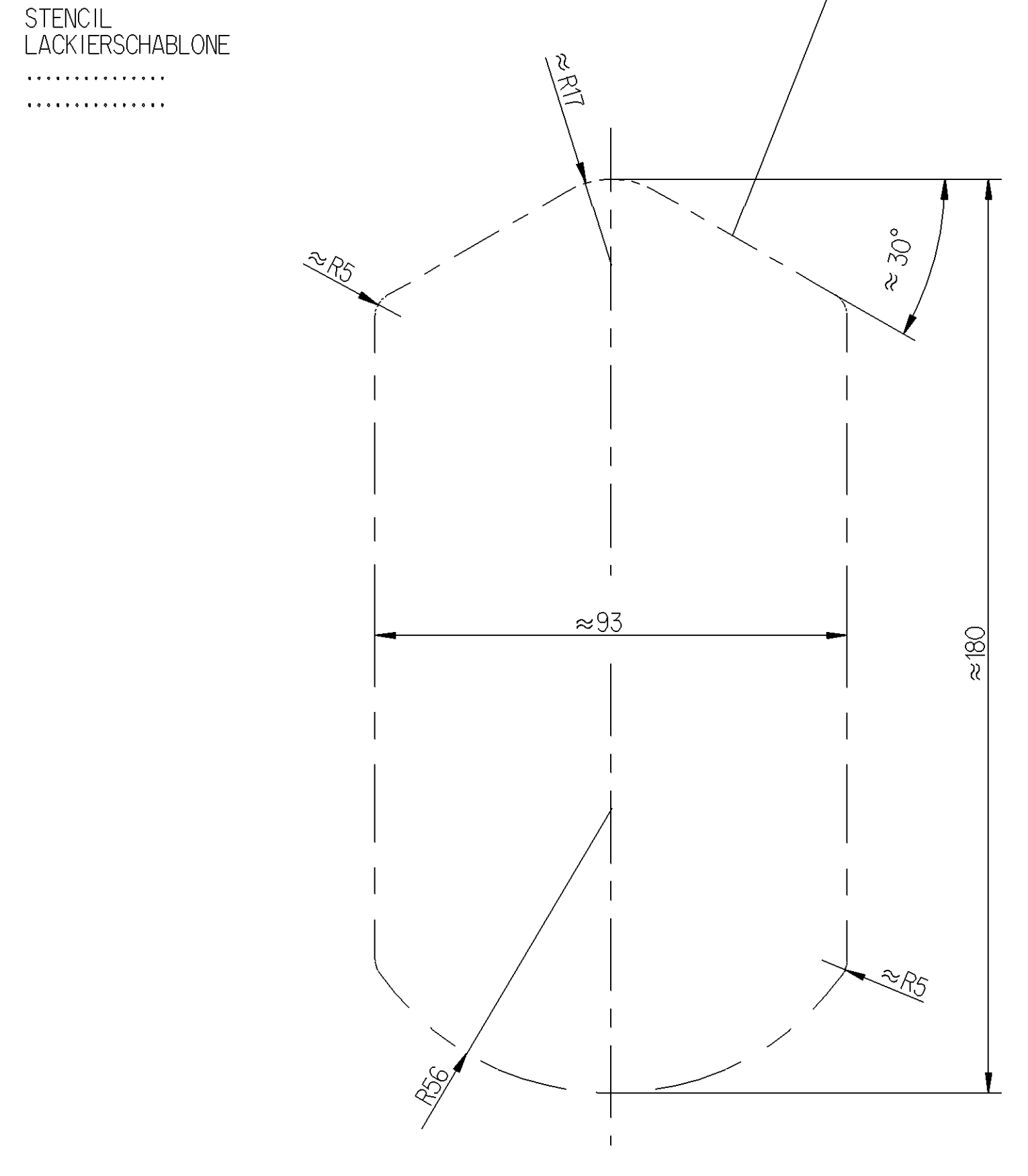
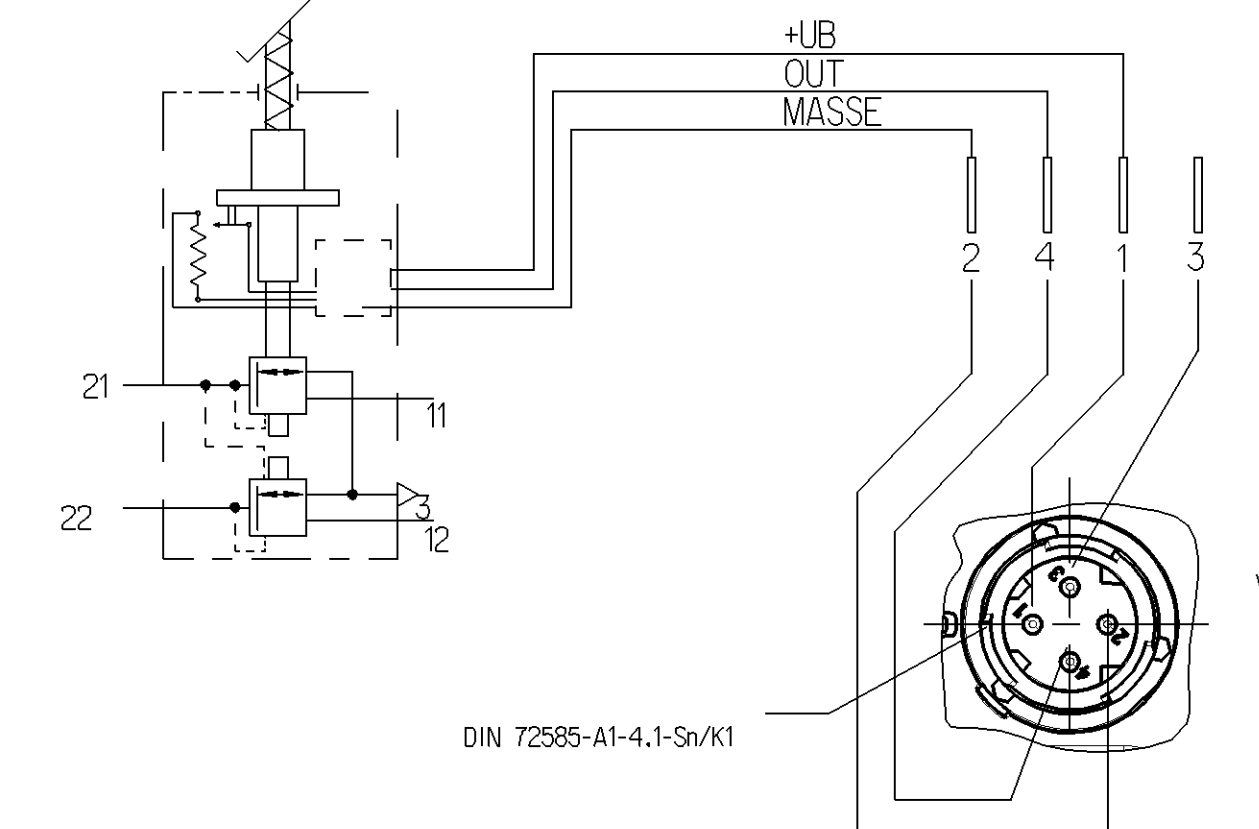
THREADED PORTS, EXHAUST AND PLUG CASTING FREE FROM PAINT
GEWINDEANSCHLUESSE, ENTLUEFTUNG UND STECKERGEHAUSE OHNE BESCHICHTUNG

OPERATING VOLTAGE: 8 ... 32 V DC
BETRIEBSSPANNUNG: 8 ... 32 V DC
TENSION DE SERVICE: 8 ... 32 V DC
TENSIONE DI SERVIZIO: 8 ... 32 V DC

ANALOG OUTLET:
AUSGANG ANALOG: 0.5 ... 5 V
SORTIE ANALOGIQUE: 0.5 ... 5 V
USCITA ANALOGICA: 0.5 ... 5 V

CURRENT CONSUMPTION: $\approx 20 \text{ mA}$
STROMAUFNAHME: $\approx 20 \text{ mA}$
CONSUMATION DE COURANT: $\approx 20 \text{ mA}$
ASSORBIMENTO DI CORRENTE: $\approx 20 \text{ mA}$

LOAD RESISTANCE: $\geq 5 \text{ k}\Omega$
LAST WIDERSTAND: $\geq 5 \text{ k}\Omega$
RESISTANCE DE CHARGE: $\geq 5 \text{ k}\Omega$
RESISTENZA DI CARICO: $\geq 5 \text{ k}\Omega$



| | | | | | |
|--------------------------------------|-----|--------------------|-----|---|-----|
| General Specification: JED-334-0 | | Copyright: WABCO * | | WABCO | |
| Further Technical Data | | Date: 2004-12-08 | | Signature: [Blank] | |
| Doc. Code: 2004-12-08 | | Title: MEINING | | BRAKE VALVE MOTORWAGEN-BREMSVENTIL ROBINET DE FREINAGE DISTRIBUTORE DI COMANDO | |
| Range of Nominal Dimensions (L x mm) | | Date: 2004-12-18 | | Author: FABIAN | |
| Class | 11 | 12 | 21 | 22 | 3 |
| 1 | 50 | 180 | 400 | 400 | 400 |
| Free | 0.5 | 1.0 | 1.5 | 2.0 | 2.0 |
| Medium | 1.0 | 2.0 | 3.0 | 4.0 | 4.0 |
| Source | 2.0 | 3.5 | 5.0 | 6.5 | 6.5 |
| Material No. | | Material No. | | Material No. | |
| 461 318 609 0 | | 461 318 609 0 | | 461 318 609 0 | |
| A O 530 | | A O 530 | | A O 530 | |
| Size of Revision | | Size of Revision | | Size of Revision | |
| 1 | | 1 | | 1 | |