

NECESSARY TOTAL STROKE  
ERFORDERLICHER GESAMTWEG  
COURSE TOTALE NECESSAIRE  
CORSO TOTALE NECESSARIA

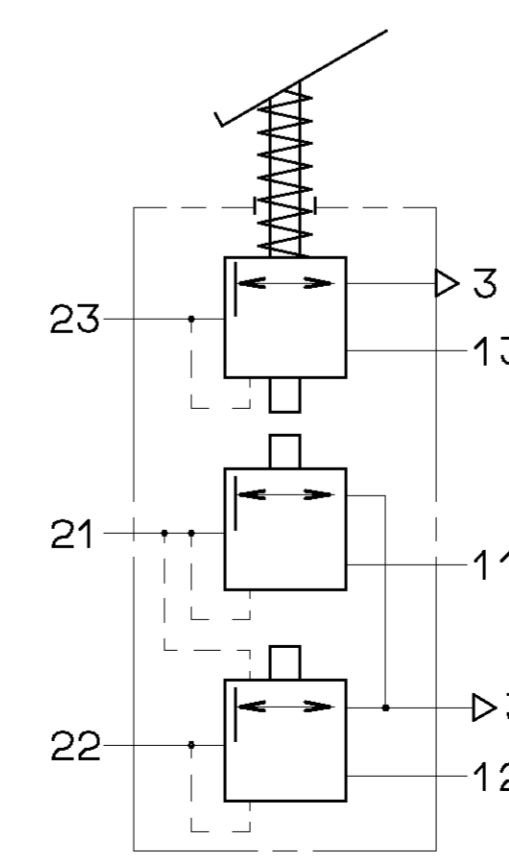
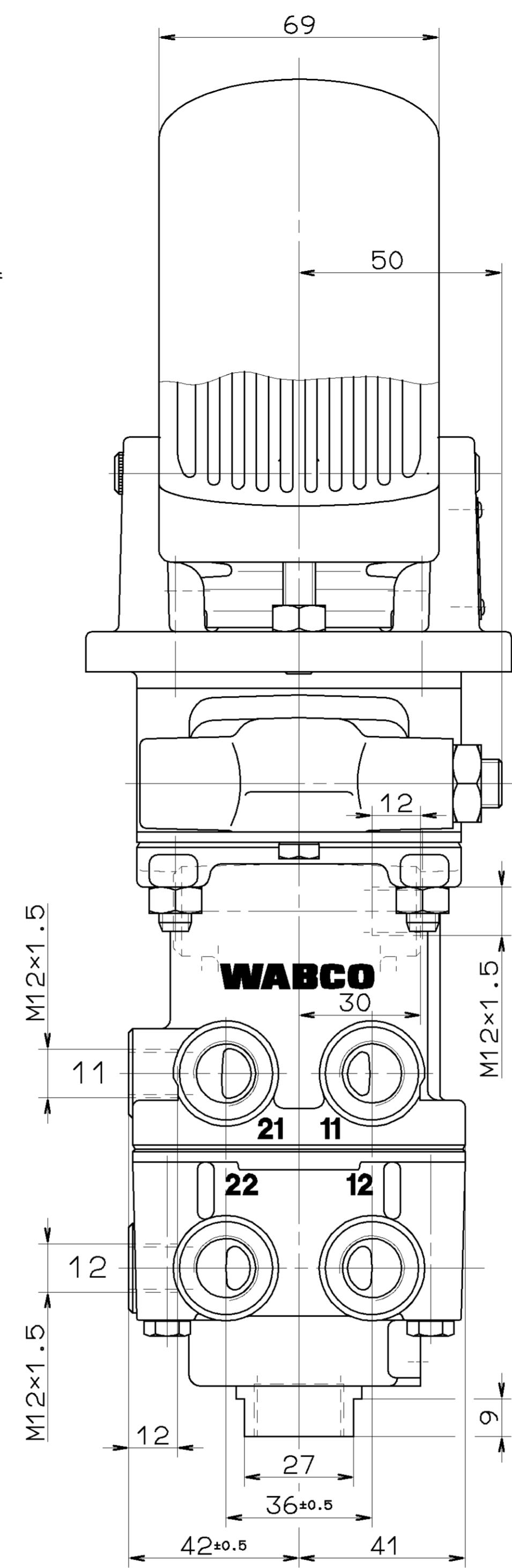
11/12/13 SUPPLY VORRAT ALIMENTATION 21/22/23 OUTLET AUSGANG SORTIE USCITA 3 EXHAUST ENTLUEFTUNG ECHAPPEMENT SCARICO

MEDIUM: AIR NOMINAL DIAMETER :  
MEDIUM: LUFT NENNWEITE :  
FLUIDE: AIR DIAMETRE NOMINAL : 11/12/21/22=78.5 mm²  $\approx \varnothing 10\text{mm}$   
FLUIDO: ARIA DIAMETRO NOMINALE : 13/23=19.6 mm²  $\approx \varnothing 5\text{mm}$

MAX. WORKING PRESSURE :  
MAX. BETRIEBSDRUCK :  $p_e = 10 \text{ bar}$   
PRESSION D UTILISATION MAXI :  
PRESSIONE DI ESERCIZIO MAX. :

THERMAL RANGE OF APPLICATION :  
THERM. ANWENDUNGSBEREICH :  $-40^\circ\text{C} \dots +80^\circ\text{C}$   
GAMME D APPLICATION THERMIQUE :  
CAMPO DI APPLICAZIONE TERMICA :

INSTALLATION POSITION : OPTIONAL  
EINBAULAGE : BELIEBIG  
POSITION D'INSTALLATION: INDIFFERENT  
POSIZIONE DI MONTAGGIO : INDIFFERENTE



GENERAL SPECIFICATION:			CAD/CAE DRAWING		
JED-334			DATE: 90-10-29		
FURTHER TECHNICAL DATA:			SIGNATURE:		
DOC. CODE:			DRAWN: POSIM		
SHEET: TO:			CHECKED: HAAS		
GENERAL TOLERANCES			STANDARDIZATION: SOMMER		
RANGE OF NOMINAL DIMENSIONS ( ± mm )			PRODUCT IDENTIFICATION NO.		
CLASS	1)		461 324 008 0		
		< 50	DOC. CODE: 605		
		50 - 180	SHEET: 1/1		
		180 - 400	SIZE: A 1		
		> 400	SCALE: 1:1		
FINE		± 0.5	SHAPE CODE:		
MEDIUM	X	± 1.0	REPLACEMENT FOR:		
COARSE		± 2.0	461 342 008 0 OF 72-03-15		
TAPPED HOLES ACC. ISO 4039 / JED-182			DATE: 92-04-08		
1) TOLERANCE CLASS APPLIED CROSSHATCHED			REV. DATE		
			SCALE: 1:1		
			EXP. CODE: 71316		
			PRODUCT TYPE: 010X		