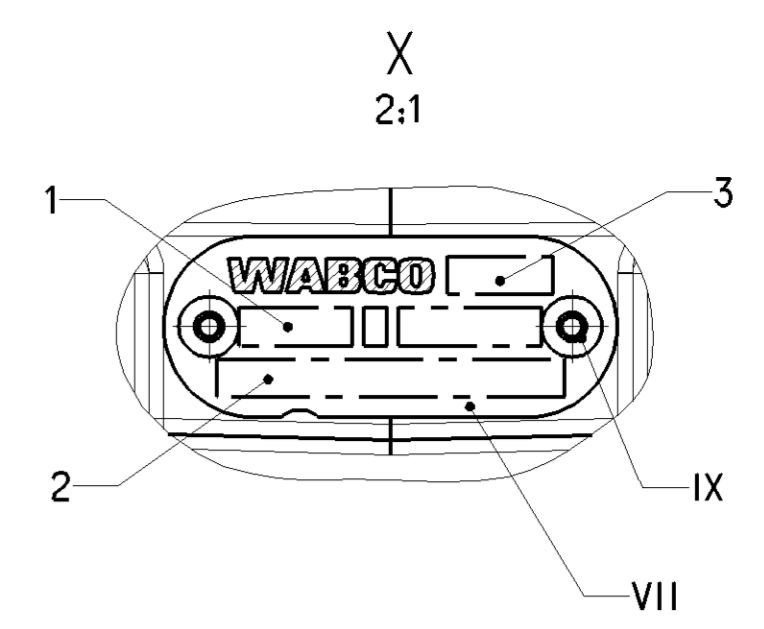


1- SAFETY CHARACTERISTICS	0
2- SIGNIFICANT CHARACTERISTICS	0



MARKING OF PORTS	
13	SUPPLY
23	OUTLET
3	EXHAUST

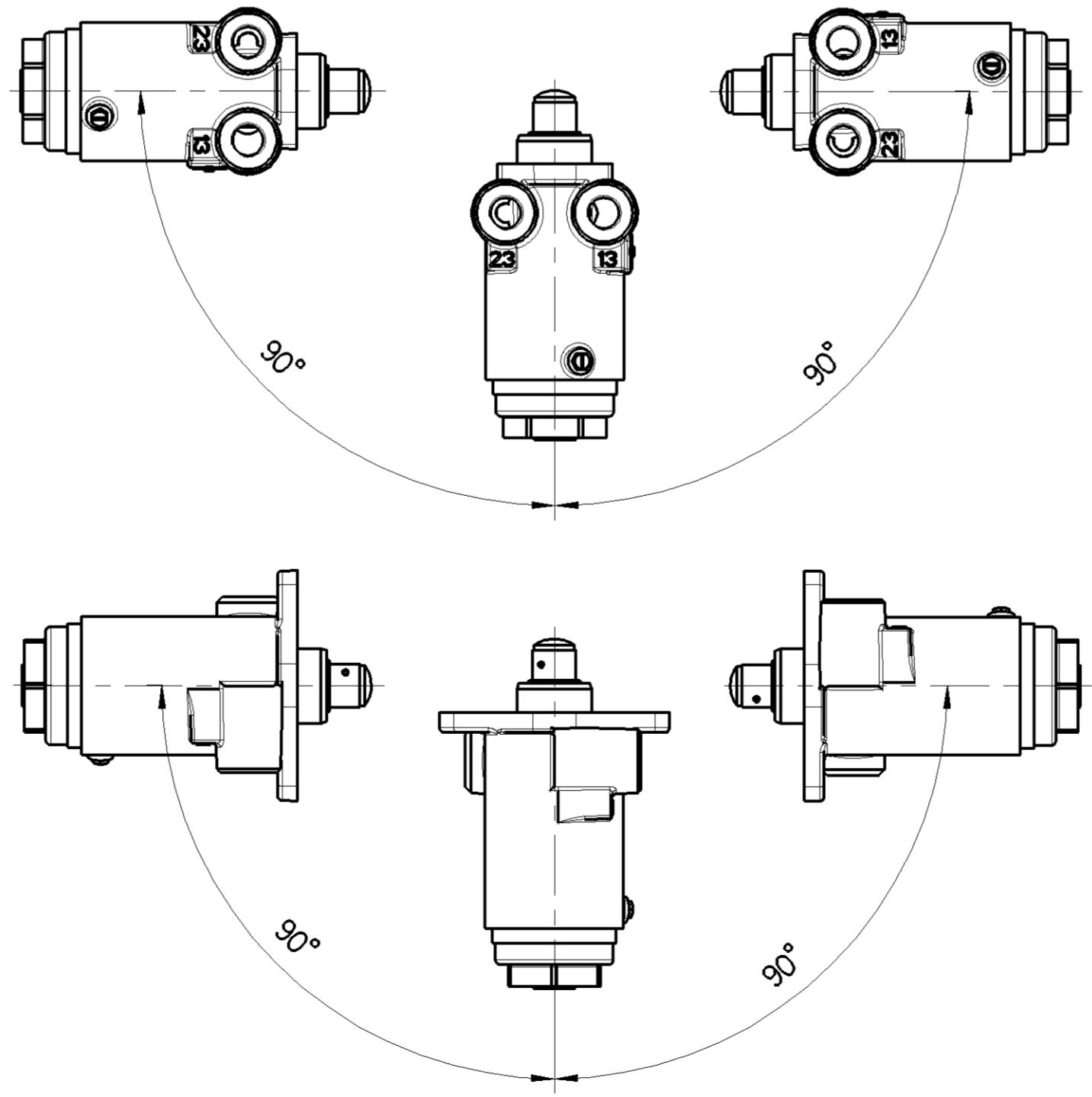
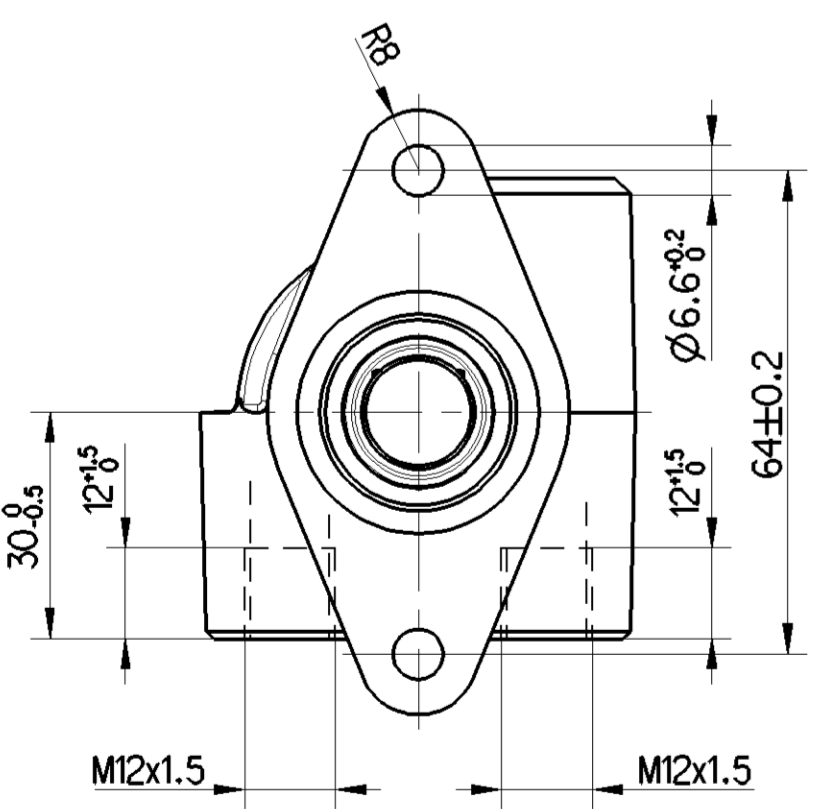
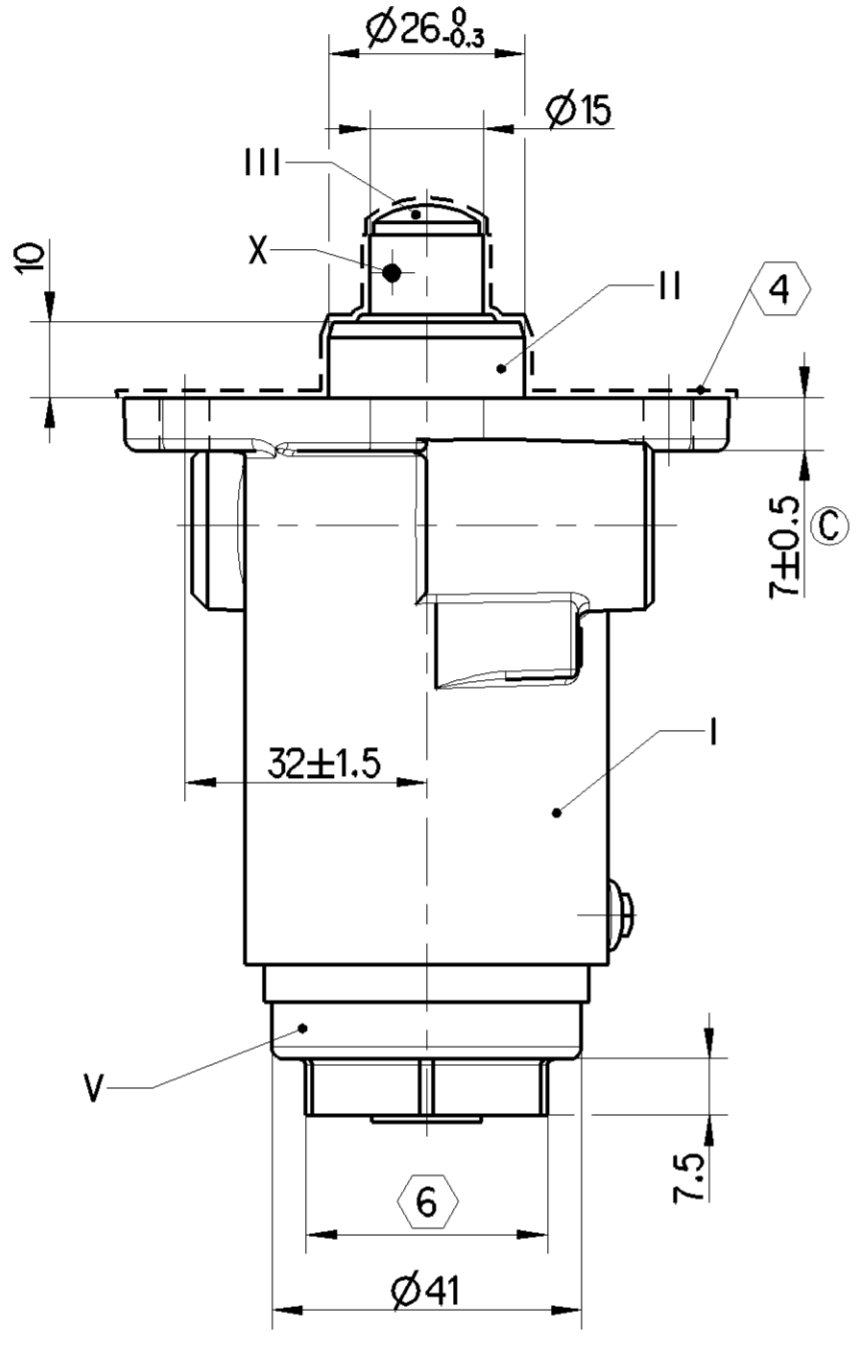
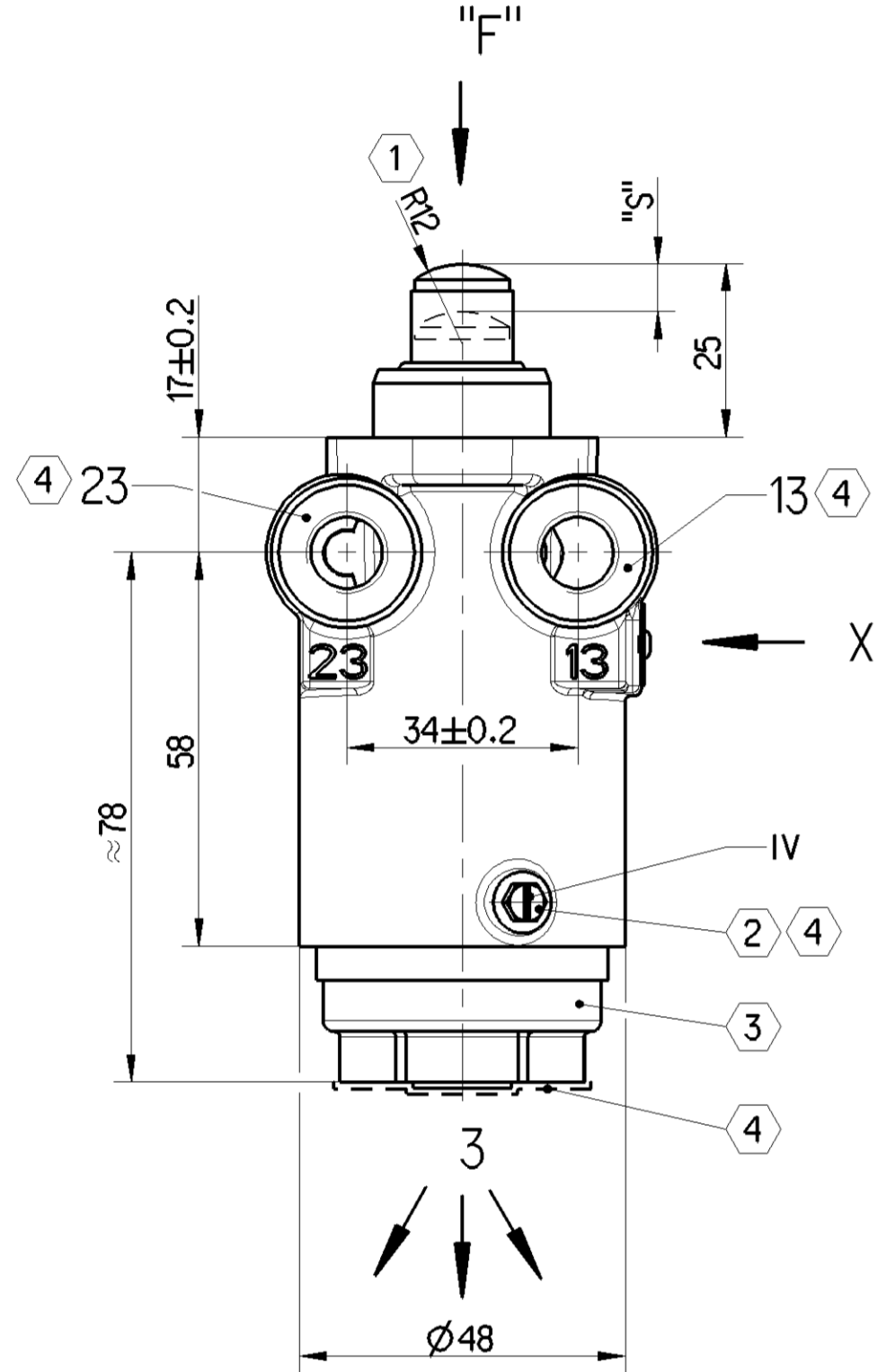
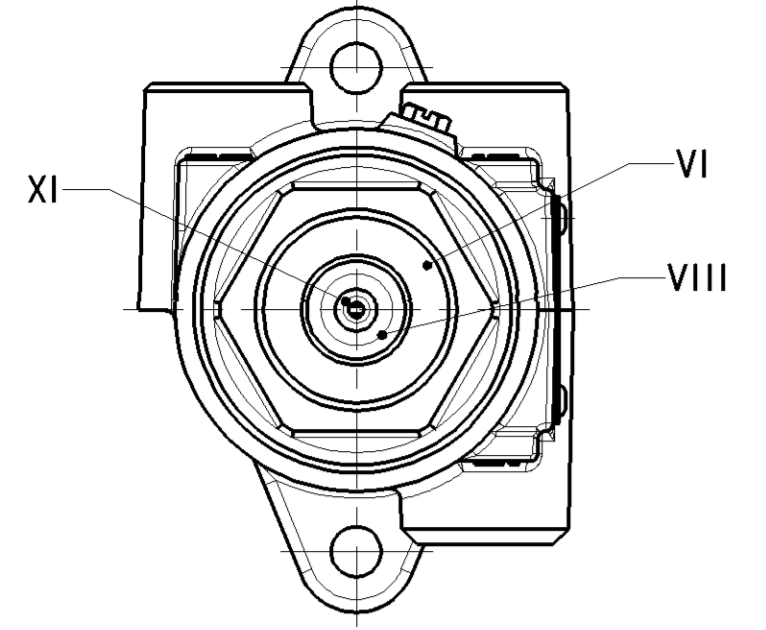
	MATERIAL	SURFACE PROTECTION
I	Al	-
II	Al	Anodic Oxidation
III	Stainless Steel	-
IV	Fe	Zn/Fe
V	POM	-
VI	NBR	-
VII	Al	Anodic Oxidation
VIII	Fe	Zn/Fe
IX	AlMg3.5	bonded coating
X	Fe	Corrosion Protection Oil
XI	AlMg5	-

1	DATE OF MANUFACTURE	
2	WABCO-DEVICE NUMBER	
3	MANUFACTURING PLANT	JED-225

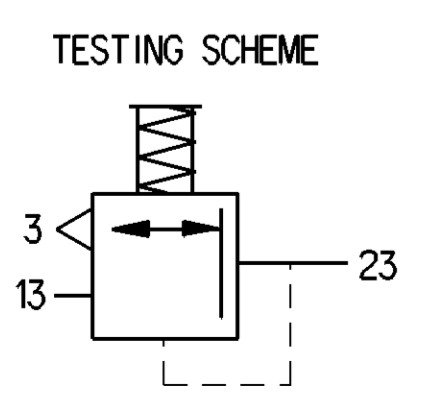
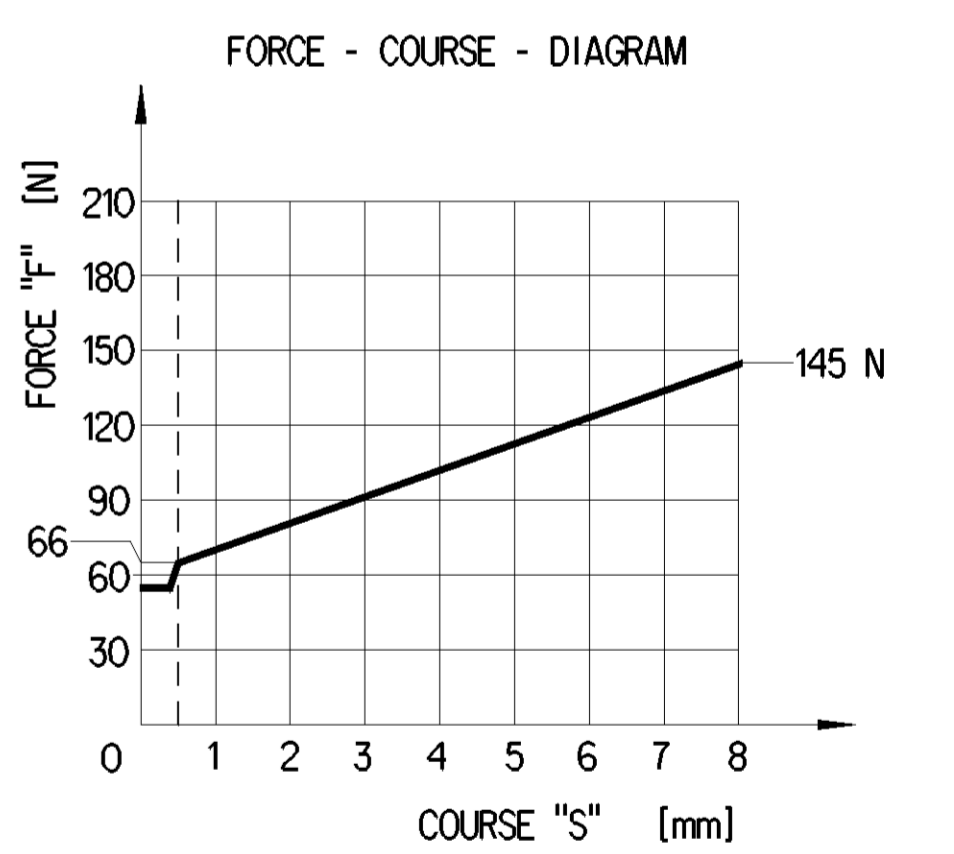
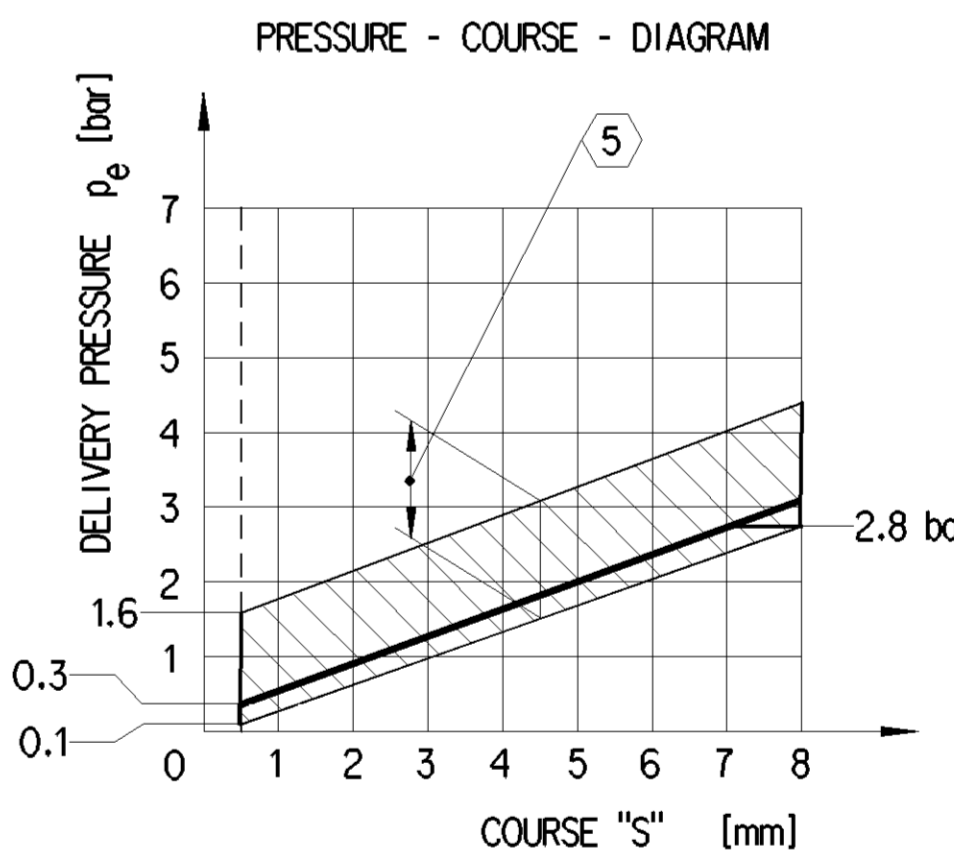
WORKING MEDIUM	AIR
WORKING PRESSURE	$p_e = 10$ bar MAX.
NOMINAL DIAMETER MAX. (APPROX.)	$19.6 \text{ mm}^2 \approx \varnothing 5 \text{ mm}$
THERMAL RANGE OF APPLICATION	$-40^\circ \dots +80^\circ \text{C}$

APPLICATION AND ADJUSTMENT ONLY IF MOUNTED INTO THE BRAKE VALVE 461 324 ... 0

1	SPHERE	
2	LOCKING SCREW	
3	ADJUSTING CAP	
4	COVER WHEN PAINTING ON THE VEHICLE	----
5	RANGE OF ADJUSTMENT	
6	WIDTH ACROSS FLATS	32 mm



POSITION OF INSTALLATION



General Specifications: JED-334-1 - Size ISO 14405 LP		Copyright WABCO®	
Further Technical Data:		Date: 2019-04-26	Signature: Knylik
Doc. Code:	Sheet: To	Checked: Knylik	Expert: Vinolkumar
General Tolerances JED-261			
Range of Nominal Dimensions ( ± mm )			
Class	1)	≤ 50	> 50 &lt; 180
		≤ 180	≤ 400 > 400
		± 0.5	± 1.0
		± 1.0	± 2.0
		± 2.0	± 3.0
		± 3.0	± 4.0
		± 5.0	± 6.5
		± 3°	
Mass	Scale	Material No.	
0.36	1:1	461 324 520 0	
Size	CAD System	Date of first issue:	1990-02-19
A 1	CREO	Doc. Code	005
Tapped Holes acc. JED-152		Language	EN
1) Tolerance Class Applied Crossmarked		Revision	3x
		Techn. Resp.	5182
		Replacement for	

Non e permesso copiare o riprodurre questo documento, ne utilizzare i contenuti o metterlo comunque in rete senza permesso scritto dalla WABCO. E' vietata espressamente la ristampa o l'uso non autorizzato di questo documento. Toute reproduction ou utilisation non autorisée sans la permission écrite de la WABCO est formellement interdite. Toute utilisation non autorisée de ce document est formellement interdite. All rights reserved. No part of this document may be reproduced, stored in a retrieval system, or transmitted in any form or by any means, electronic, mechanical, photocopying, recording, or by any information storage and retrieval system, without the prior written permission of WABCO. All rights reserved. No part of this document may be reproduced, stored in a retrieval system, or transmitted in any form or by any means, electronic, mechanical, photocopying, recording, or by any information storage and retrieval system, without the prior written permission of WABCO.