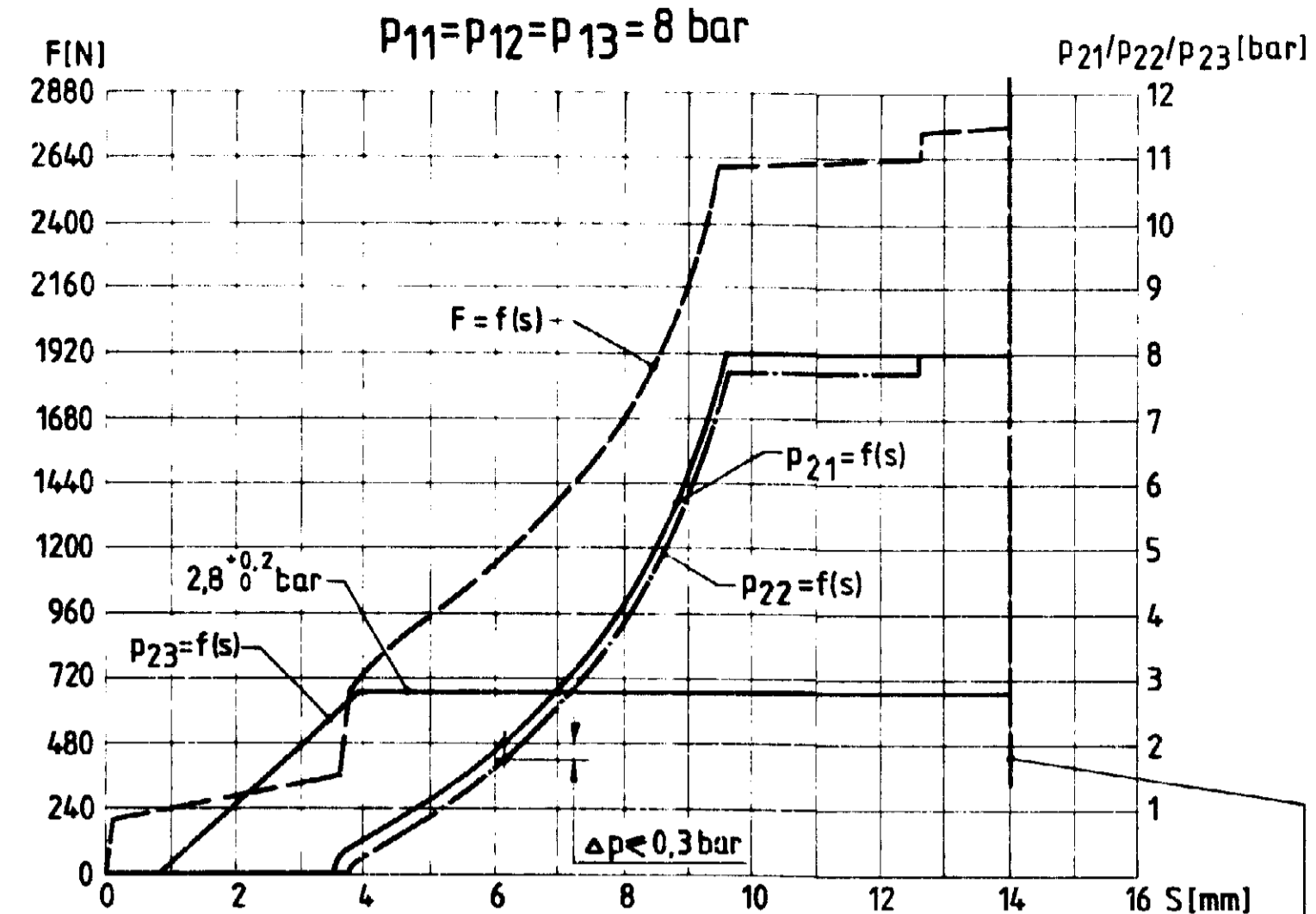
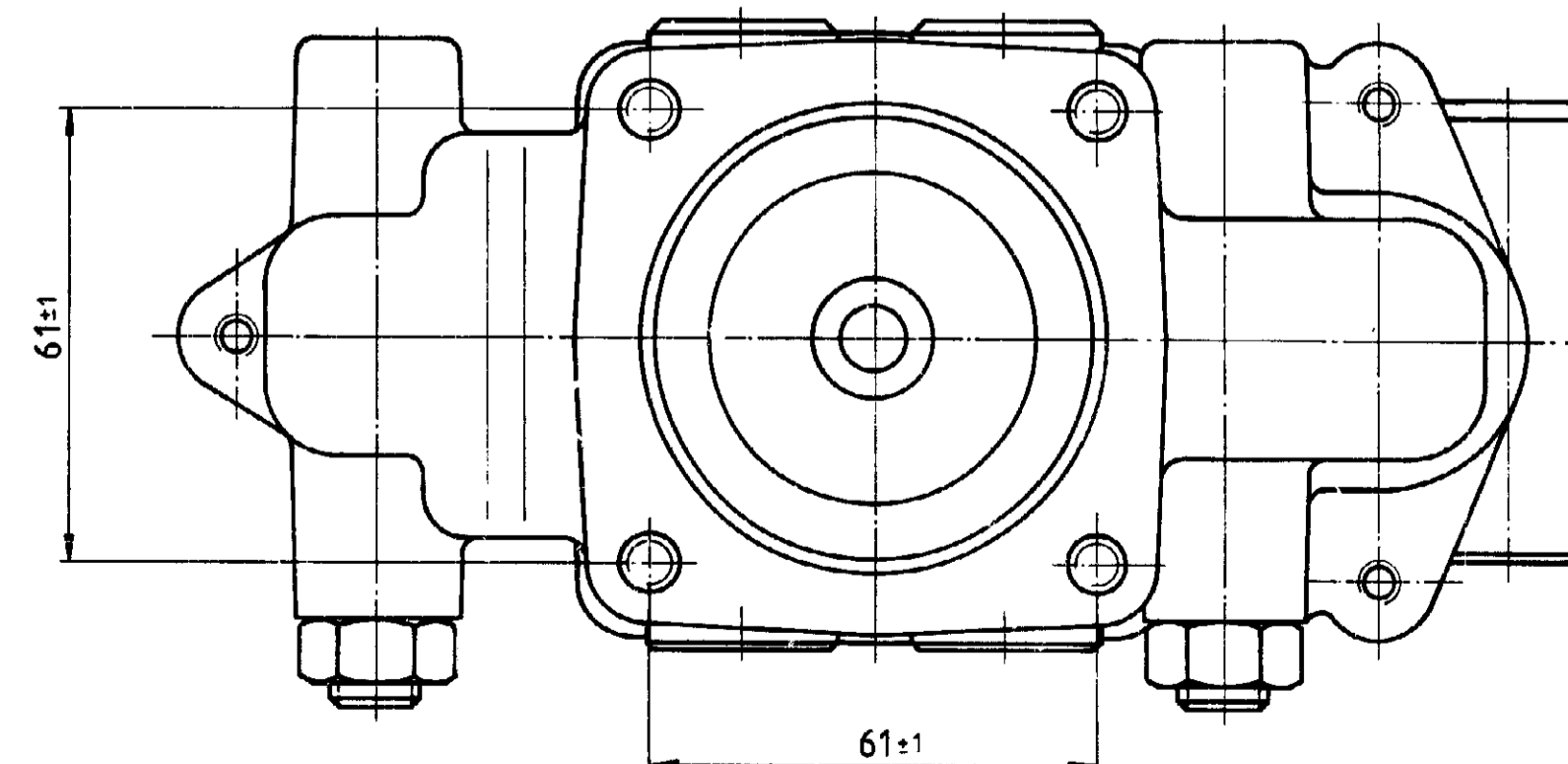
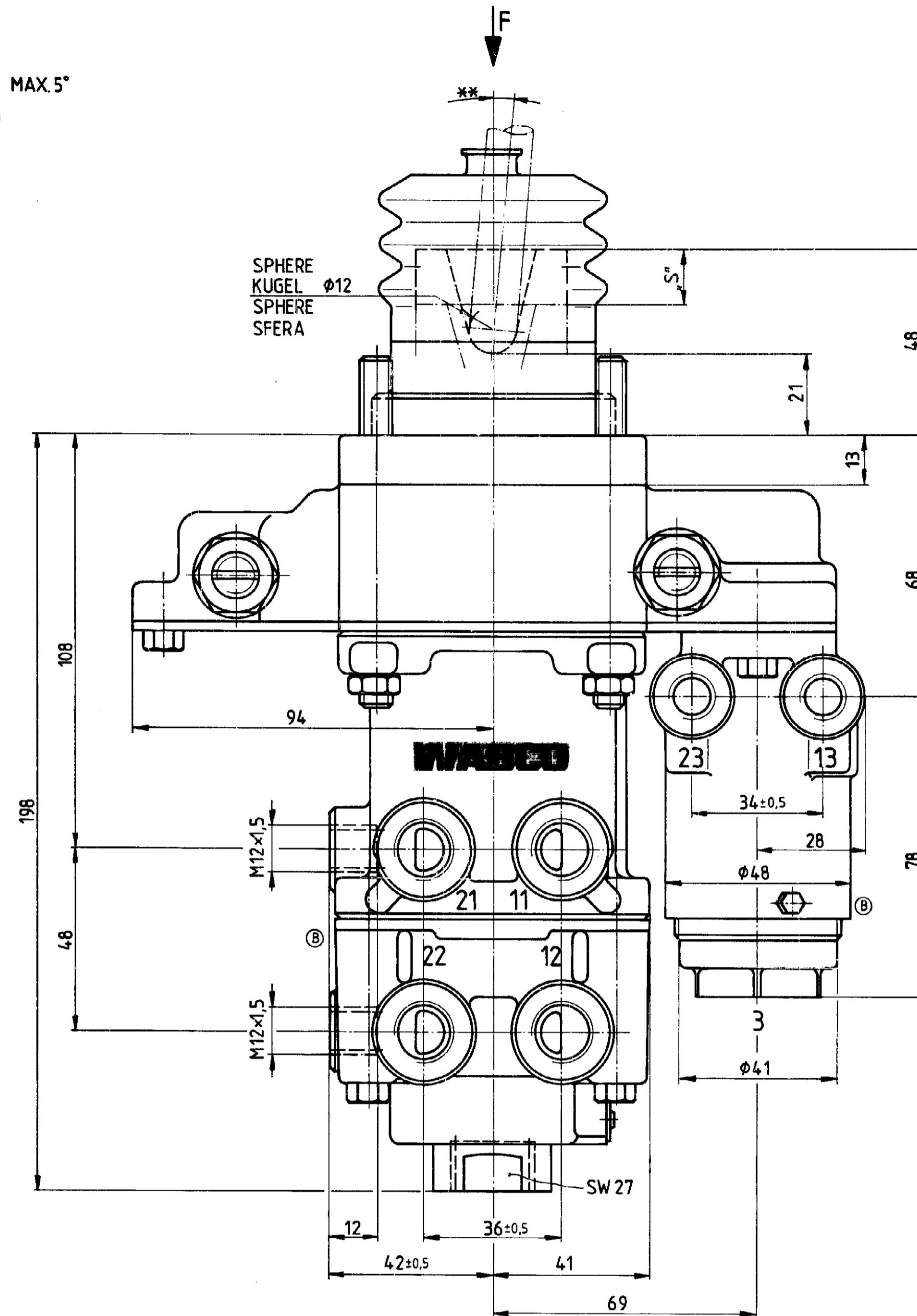


ALL ROUND  
 \*\*ALLSEITIG  
 UNIVERSEL SU CIASCUN LATO  
 MAX. 5°



AT FAILURE CIRCUIT 1 NECESSARY COURSE  $S \le 14 \text{ mm}$   
 BEI AUSFALL KREIS 1 NOTWENDIGER WEG  $S \le 14 \text{ mm}$   
 EN CAS DE DEFAILLANCE COURSE NECESSAIRE  $S \le 14 \text{ mm}$   
 CIRCUIT 1 FORCE NECESSAIRE  $F = 4100 \text{ N}$   
 N. CASO DI DIFETTO CIRCUITO 1 FORZA NECESSARIA  $S \le 14 \text{ mm}$   
 FORZA NECESSARIA  $F = 4100 \text{ N}$

STOP WITHIN THE DEVICE PERMISSIBLE  
 \* ANSCHLAG IM GERÄT ZULAESSIG  
 BUTEE DANS L'APPAREIL ADMISE  
 AMMESSO ARRESTO NELL'APPARECCHIO

11/12/13: SUPPLY VORRAT ALIMENTATION ALIMENTAZIONE  
 21/22/23: OUTLET AUSGANG SORTIE USCITA  
 3: EXHAUST ENTLUEFTUNG ECHAPPEMENT SCARICO

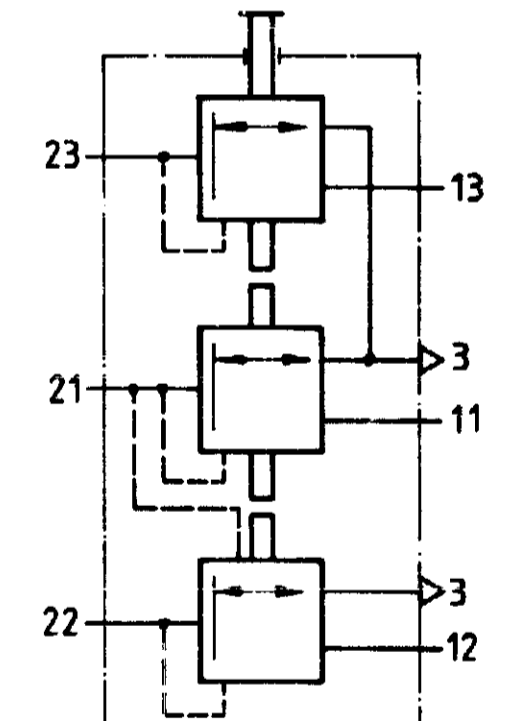
MEDIUM: AIR  
 MEDIUM: LUFT  
 FLUIDE: AIR  
 FLUIDO: ARIA

MAX. WORKING PRESSURE:  
 MAX. BETRIEBSDRUCK:  
 PRESSION D'UTILISATION  $P_e = 10 \text{ bar}$   
 PRESSIONE DI ESERCIZIO:

NOMINAL DIAMETER:  
 NENNWEITE:  $\frac{11/12}{21/22} = 78,5 \text{ mm} \pm \phi 10 \text{ mm}$   
 DIAMETRE NOMINAL:  
 DIAMETRO NOMINALE:  $\frac{13/23}{13/23} = 19,6 \text{ mm} \pm \phi 5 \text{ mm}$

THERMAL RANGE OF APPLICATION:  
 THERMISCHER ANWENDUNGSBEREICH:  
 GAMME D'APPLICATION THERMIQUE:  $-40^\circ\text{C} \dots +80^\circ\text{C}$   
 CAMPO DI APPLICAZIONE TERMICA:

INSTALLATION POSITION: OPTIONAL  
 EINBAULAGE: BELIEBIG  
 POSITION D'INSTALLATION: INDIFFERENT  
 POSIZIONE DI MONTAGGIO: INDIFFERENTE



FURTHER TECHNICAL DATA SEE				COPYRIGHT		WABCO		CLAYTON BEWMANRE	
IDENTIFICATION No. 605 SHEET TO				DATE 86-12-19		SIGNATURE		BRAKE VALVE	
GENERAL TOLERANCES				DRAWN		CHECKED		MOTORWAGEN-BREMSENVENTIL	
CLASS				86-12-19		STANDARDIZATION		ROBINET DE FREINAGE	
RANGE OF NOMINAL DIMENSIONS (mm)				87-01-12		SCALE		DISTRIBUTORE DI COMANDO	
I				MASS		SCALE		PRODUCT IDENTIFICATION No.	
II				32 729 3		1:1		461 328 000 0	
III				DATE 86-12-19		SIZE A1		LOOK FOR DOCUMENT SHEET	
TAPPED HOLES ACC. ISO 4039/JED-152				REV		DATE		605 1/1	
TOLERANCE CLASS APPLIED CROSSMARKED				DATE		DATE		REPLACEMENT FOR	
				DATE		DATE		461 328 000 0 OF 8	